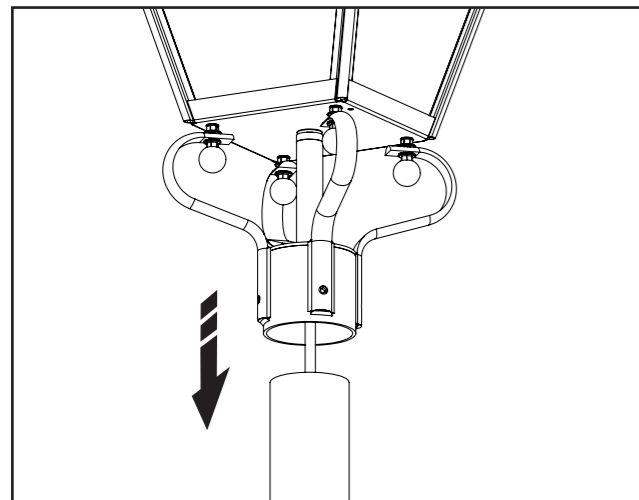
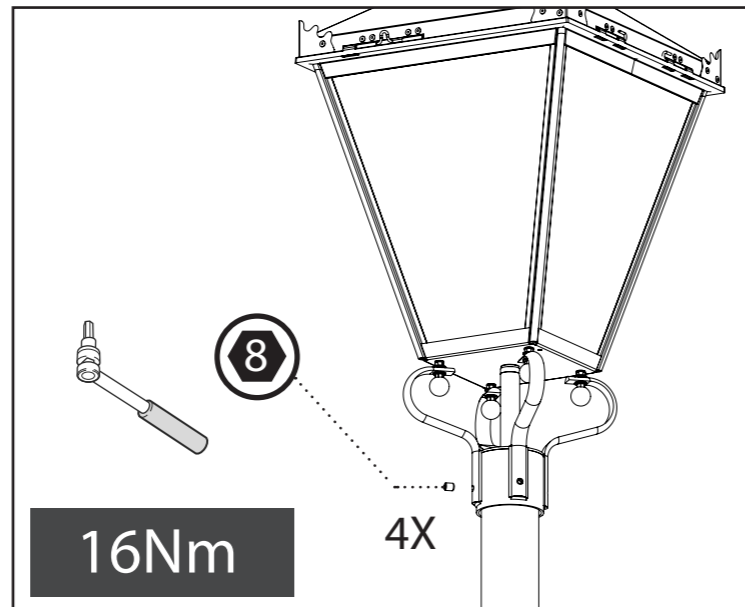


## COLUMN MOUNTING



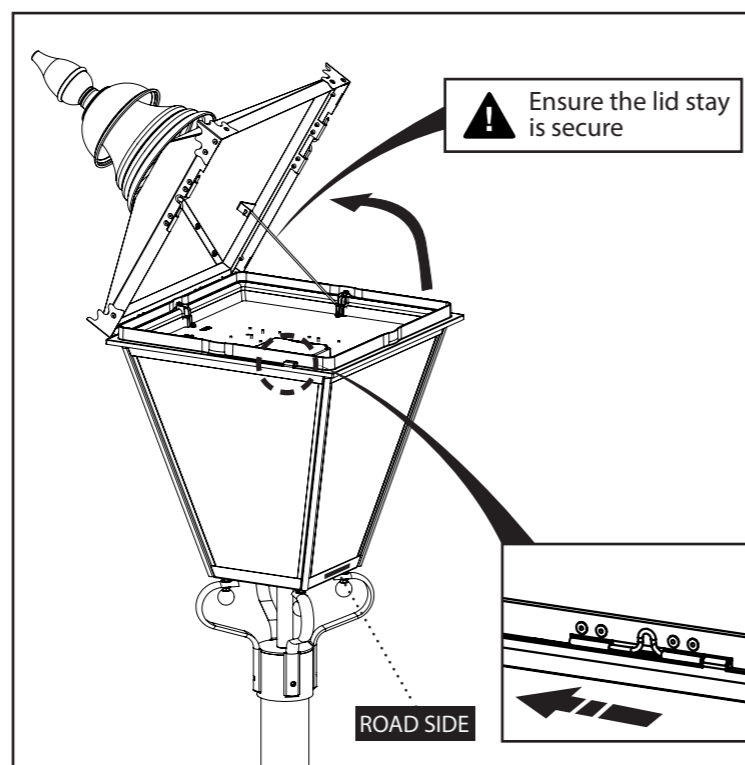
**!** Take care to not trap any cables



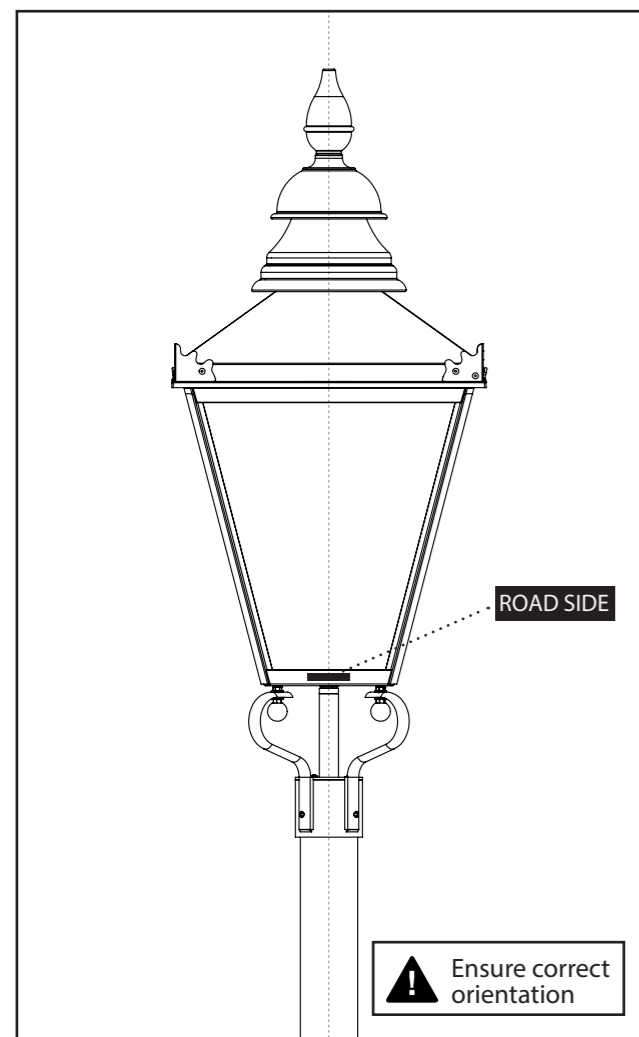
16Nm

4X

## MAINTENANCE ACCESS



Unfasten the two side catches holding the lid in position, hinge up the lid and support it with the lid stay



**!** ENSURE LANTERN IS VERTICAL

DW Windsor  
Pindar Road, Hoddesdon, Hertfordshire, EN11 0DX  
T: +44 (0) 1992 474600 | E: info@dwwindsor.com

Due to continuous product development the details within this document are subject to change at any time, please contact us for the most up-to-date information or visit: [www.dwwindsor.com](http://www.dwwindsor.com)

## Installation Instructions

10/630/11 Rev A



IP65 IK08

230VAC 50Hz

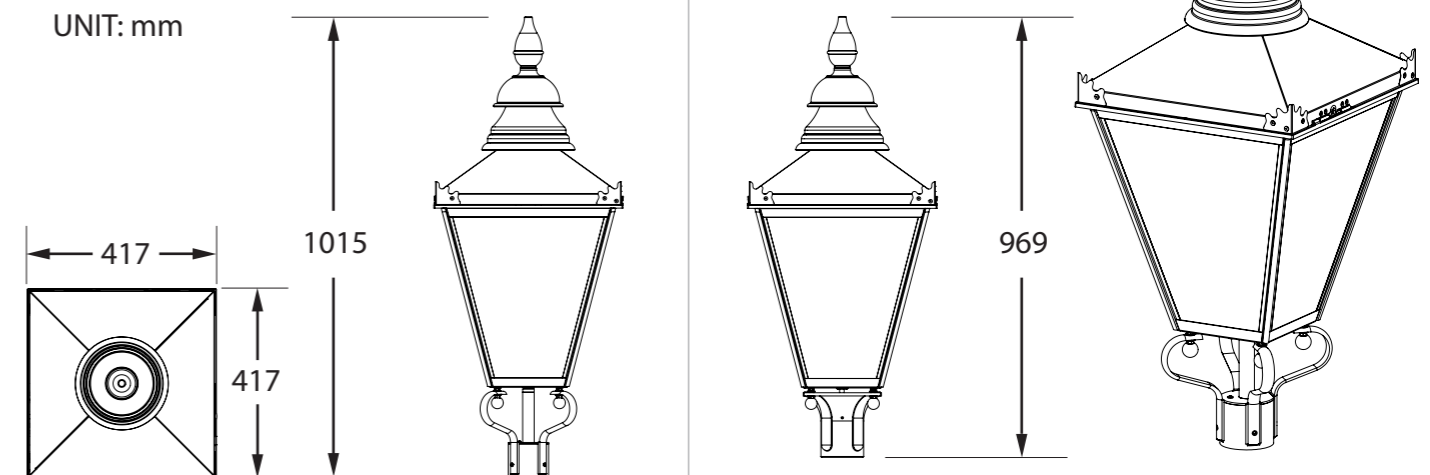
### **!** **!** IMPORTANT

- DISCONNECT ELECTRICAL SUPPLY BEFORE INSTALLATION OR SERVICING.
- THIS PRODUCT MUST BE EARTHED.
- THIS PRODUCT IS DESIGNED TO OPERATE OUTDOORS.
- THIS PRODUCT CONTAINS A LIGHT SOURCE OF ENERGY EFFICIENCY CLASS C TO F, THIS IS DEPENDENT ON PRODUCT DRIVE CURRENT, LED COLOUR TEMPERATURE & OPTIC
- DO NOT STARE AT OPERATING LIGHT SOURCE.
- PERSONNEL TO WEAR PROTECTIVE SAFETY GLASS COMPLIANT WITH EN166 1F/EN169-5 WHEN COMMISSIONING OR MAINTAINING THIS LUMINAIRE.
- BASIC INSULATION IS PROVIDED BETWEEN POWER & DALI.
- ALWAYS MAINTAIN BASIC INSULATION BETWEEN LOW VOLTAGE SUPPLY AND CONTROL.
- LEDS CONTAINED WITHIN THIS LUMINAIRE SHALL ONLY BE REPLACED BY THE MANUFACTURER, THEIR SERVICE AGENT OR SIMILAR QUALIFIED PERSON.
- THE LUMINAIRE SHOULD BE POSITIONED SO THAT PROLONGED STARING INTO THE LUMINAIRE AT A DISTANCE CLOSER THAN 2.7 METERS IS NOT EXPECTED.

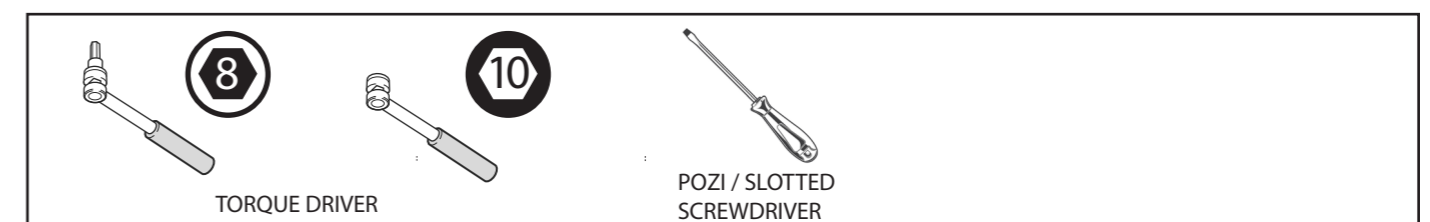
## PRODUCT DETAILS

	FROG BASE	CAST BASE
CxS	0.230 m <sup>2</sup>	0.213 m <sup>2</sup>
Weight	7.9 kg	7.8kg

UNIT: mm



## TOOLS REQUIRED

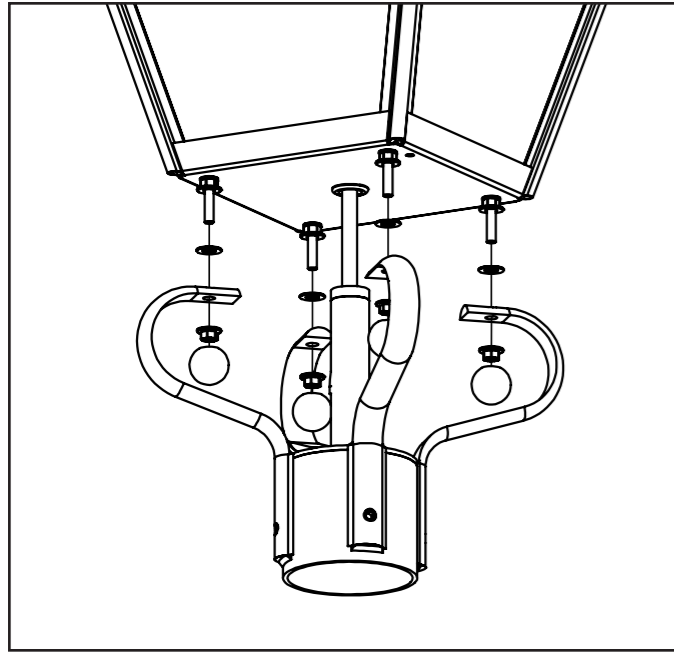


TORQUE DRIVER

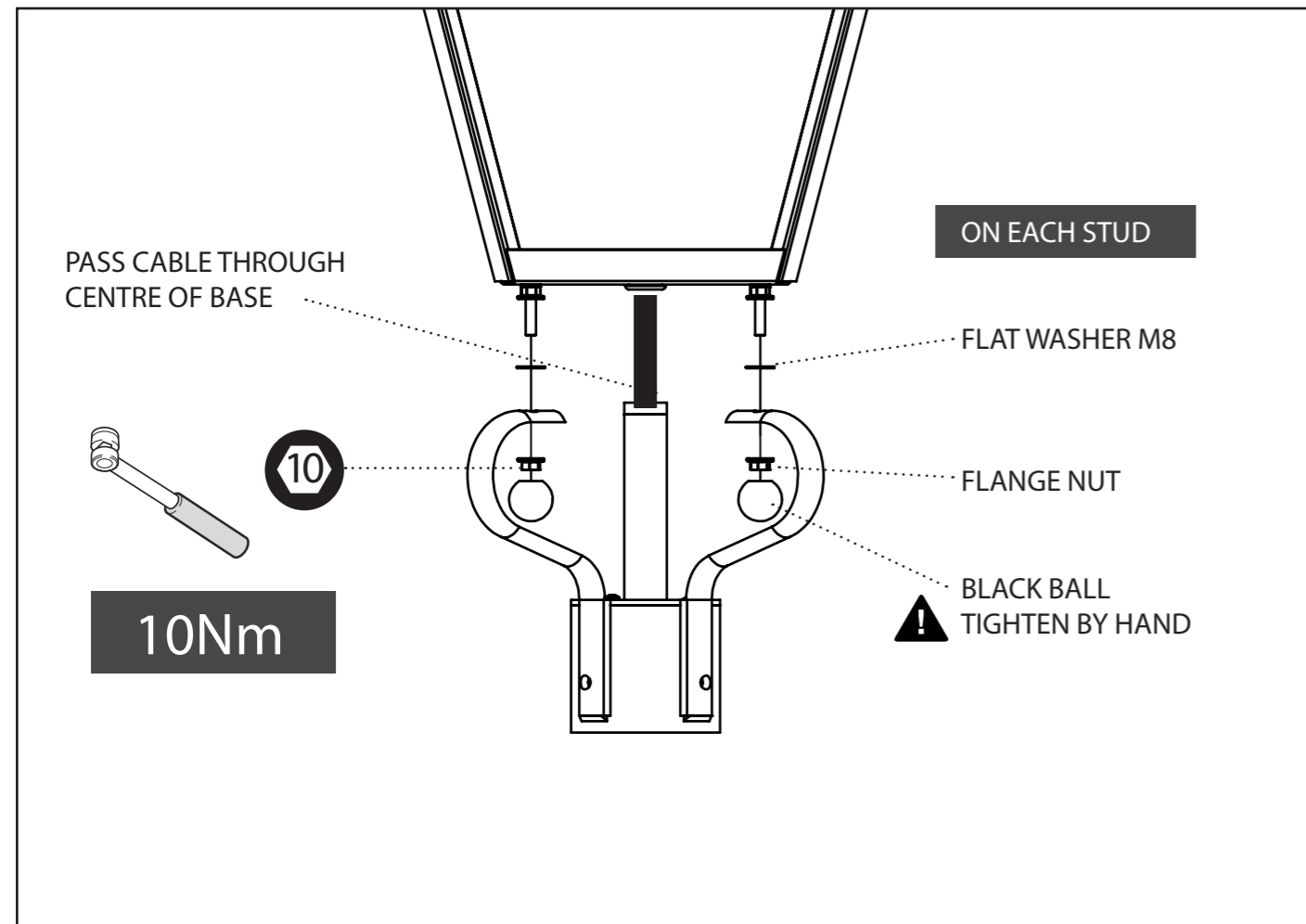
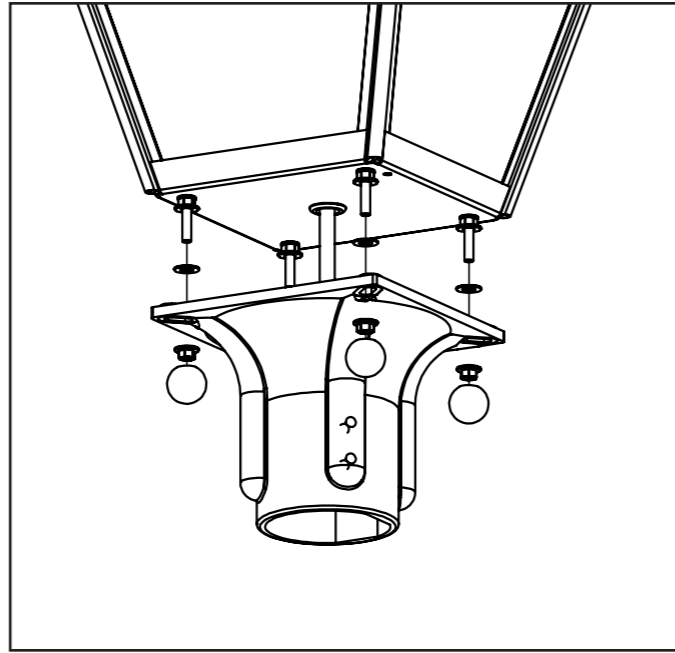
POZI / SLOTTED  
SCREWDRIVER

## BASE ATTACHMENT

### FROG BASE

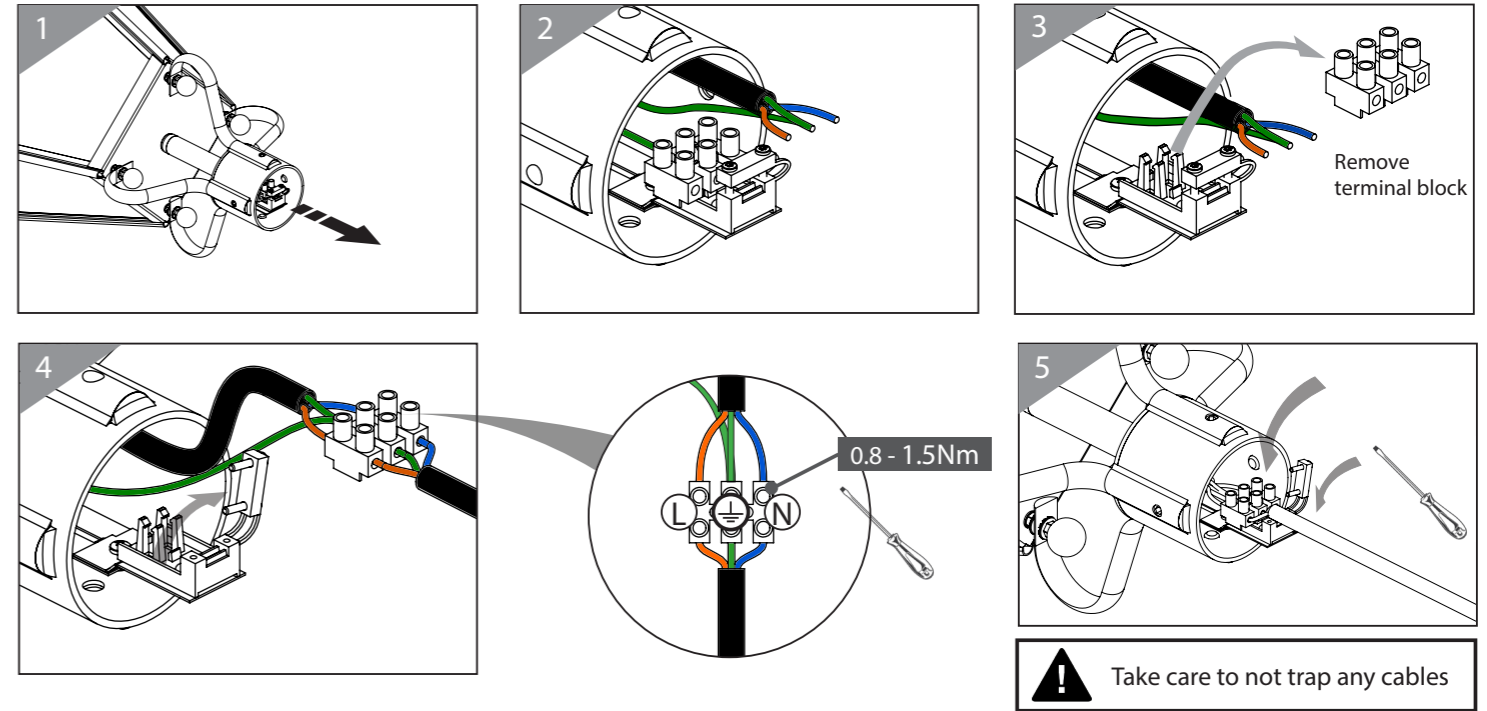


### CAST BASE



## WIRING

**!** Wiring procedure should be carried out before mounting the luminaire on the column



## 5 CORE CABLE (DALI)

