

# INSTALLATION INSTRUCTIONS FOR THE OPTIMA 500 SERIES

**IMPORTANT DISCONNECT ELECTRICAL SUPPLY BEFORE INSTALLATION, RE-LAMPING OR SERVICING**

ELECTRICAL SUPPLY SEE BALLAST OR LAMP

MAXIMUM WEIGHT 18kg MAXIMUM DIMENSIONS 500mm Height, 550mm Width, 690mm Depth



THE OPTIMA SERIES IS SUPPLIED FULLY ASSEMBLED.

- 1) UNPACK THE LUMINAIRE, UNCLIP THE GLAZING BOWL, UNHOOK IT AND PLACE TO ONE SIDE.
- 2) LOOSEN THE THREE TOP TRAY FIXING SCREWS, ROTATE THE TOP TRAY ON ITS KEYHOLES AND ALLOW TO HINGE DOWN.
- 3) DISCONNECT THE PLUG AND SOCKET AND REMOVE THE TOP TRAY BY TWISTING THE TRAY SUPPORT OUT FROM THE HINGE. PLACE TO ONE SIDE.
- 4) DISASSEMBLE THE CABLE GLAND AND YOU ARE READY TO START INSTALLING.

## POST TOP MOUNTING

THE LUMINAIRE FITS A 76mm DIA x 76mm SPIGOT.

- 5) FEED THE ELECTRICAL SUPPLY CABLE THROUGH THE POST TOP CASTING, CABLE GLAND AND INTO THE LUMINAIRE
- 6) PLACE LUMINAIRE ONTO THE COLUMN, POSITION CORRECTLY WITH REFERENCE TO THE ROAD SIDE LABEL. **IMPORTANT** HOLD THE LUMINAIRE LEVEL THEN SECURE IN PLACE USING THE TWO SET SCREWS ( *ALLEN KEY REQUIRED* ).
- 7) REFIT THE CABLE GLAND AND WIRE THE ELECTRICAL SUPPLY TO THE THREE WAY TERMINAL BLOCK FIXED TO THE INSIDE OF THE LUMINAIRE.

**IMPORTANT WIRING CODE: L= LIVE, N= NEUTRAL, E= EARTH. THIS FITTING MUST BE EARTHED, THIS IS IMPORTANT. ENSURE THAT THE WIRING GLAND IS FULLY TIGHTENED, THIS IS IMPORTANT.**

- 8) HOOK ON THE TOP TRAY AND RE-CONNECT THE PLUG AND SOCKET. IF USING 26 OR 35 WATT SOX LAMPS FIT THE LAMP IN POSITION. OTHERWISE FIT TOP TRAY ONTO THE THREE SCREWS AND TIGHTEN UP.

( *NOTE THE TOP TRAY WILL ONLY FIT ONE WAY* )

- 9) FIT LAMP FROM BELOW. ( *UNLESS SOX 26 / 35* )
- 10) REFIT GLAZING BOWL AND SECURE IN POSITION WITH THE FOUR TOGGLE CLIPS. ENSURE THE TOGGLE CLIPS ARE SEATED CORRECTLY IN BOWL RIM BEFORE SNAPPING SHUT.

## MID POST MOUNTING

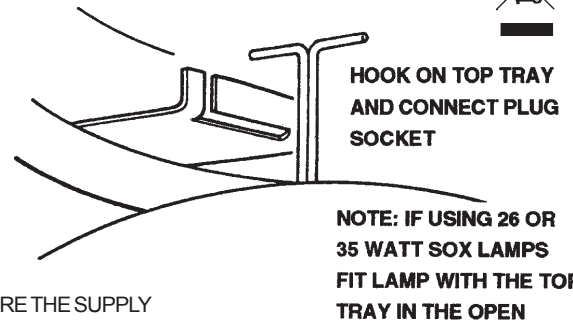
THE LUMINAIRE FITS A 76mm DIA POST.

NOTE: TWO HOLES NEED TO BE DRILLED PRIOR TO FITTING THE LUMINAIRE ( *SEE DIAGRAM AND TEMPLATE* ).

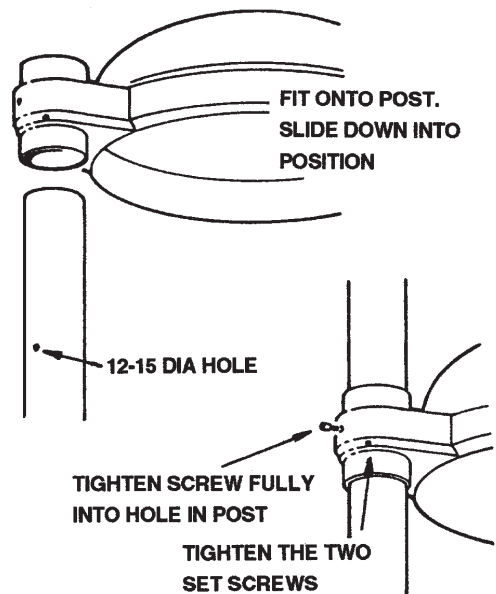
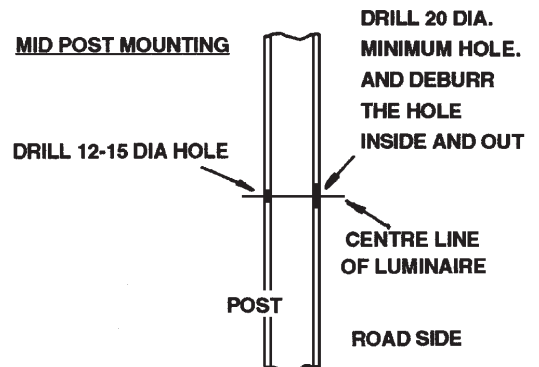
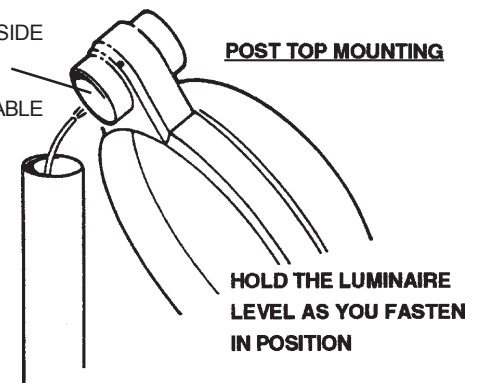
- 11) FIT THE MID POST CASTING ONTO THE COLUMN WITH REFERENCE TO THE ROAD SIDE LABEL.
- 12) TIGHTEN UP THE BACK SOCKET HEAD SCREW INTO THE SMALLER OF THE TWO HOLES IN THE COLUMN. ( *SEE DIAGRAM* )

**IMPORTANT** HOLD THE LUMINAIRE LEVEL THEN TIGHTEN THE TWO SET SCREWS.

- 13) FEED THE ELECTRICAL SUPPLY CABLE THROUGH THE CABLE GLAND IN THE LUMINAIRE AND DOWN THE COLUMN. FOR CONNECTION AT THE BASE. PROCEED AS No (7)



ENSURE THE SUPPLY CABLE IS PASSED ABOVE THE BAR INSIDE THE DIRECT POST ENTRY CASTING, OTHERWISE THE CABLE WILL BE TRAPPED



**SIDE ENTRY MOUNTING**

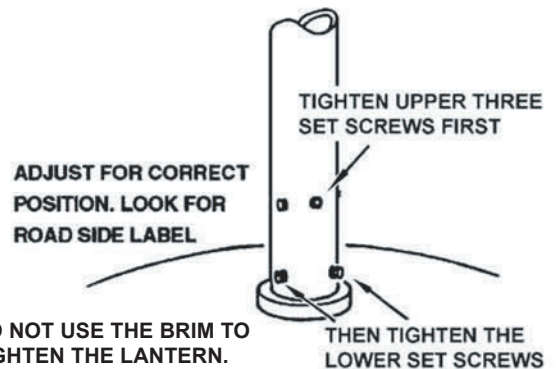
THE SIDE ENTRY LUMINAIRE FITS ONTO A 1 1/4" BSP ( 42.4mm DIA ) TUBE OR SPIGOT x 110mm LONG MINIMUM.  
 14) FEED THE ELECTRICAL SUPPLY CABLE THROUGH THE CASTING AND CABLE GLAND INTO THE LUMINAIRE.  
 15) FIT ONTO THE TUBE **IMPORTANT** HOLD THE LUMINAIRE LEVEL THEN TIGHTEN BOTH SET SCREWS.  
 ENSURE THE LUMINAIRE IS ALIGNED HORIZONTALLY WITH THE LAMP FACING DOWNWARDS. PROCEED AS No(7)

**SIDE ENTRY**



**TOP ENTRY (NON-THREADED SPIGOT)**

16) REMOVE THE GLAZING BOWL AND TOP TRAY.  
 17) FEED THE ELECTRICAL SUPPLY CABLE THROUGH THE BRACKET AND THROUGH THE CENTRE HOLE ON THE SPIGOT AND INTO THE FITTING.  
 18) PUSH THE SPIGOT INTO THE BRACKET AND TIGHTEN THE TOP SET SCREWS TO HOLD THE LUMINAIRE, ADJUST THE POSITION OF THE LUMINAIRE WITH REFERENCE TO THE ROAD SIDE LABEL AND TIGHTEN THE LOWER TWO SET SCREWS AND THE UPPER SET SCREWS FULLY.  
 PROCEED AS No(7)



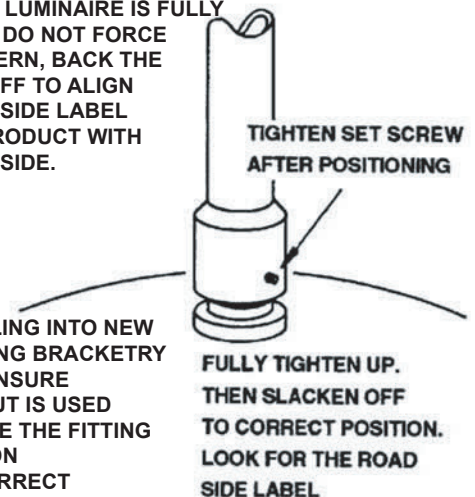
NOTE: IF THE NON-THREADED SPIGOT VERSION IS SUPPLIED TO FIT OTHER MANUFACTURERS BRACKETS, FIVE HOLES NEED TO BE DRILLED AND TAPPED IN THE BRACKET. ( A TEMPLATE CAN BE SUPPLIED ON REQUEST )

**⚠ DO NOT USE THE BRIM TO TIGHTEN THE LANTERN. USE A SPANNER ON THE LANTERN SPIGOT. ONCE THE LUMINAIRE IS FULLY ENGAGED DO NOT FORCE THE LANTERN, BACK THE THREAD OFF TO ALIGN THE ROADSIDE LABEL ON THE PRODUCT WITH THE ROADSIDE.**

**TOP ENTRY (THREADED SPIGOT)**

NOTE: IF THE BRACKET IS IN SITU OR BEING SUPPLIED BY OTHERS AN INTERNAL 1 1/4" BSP THREADED COUPLER WITH 25mm THREAD CLEAR TO FIX THE LUMINAIRE. IS REQUIRED. THE LUMINAIRE IS SUPPLIED WITH AN 1 1/4" BSP MALE THREADED SPIGOT  
 19) REMOVE THE GLAZING BOWL AND TOP TRAY.  
 20) OFFER UP THE FITTING AND SCREW THE SPIGOT INTO THE COUPLER AS FAR AS POSSIBLE, BUT DO NOT OVER TIGHTEN, THEN SLACKEN OFF UNTIL THE CORRECT POSITION IS REACHED WITH REFERENCE TO THE ROAD SIDE LABEL.  
 21) TIGHTEN THE SET SCREW TO LOCK IN POSITION.  
 PROCEED AS No(7)

**⚠ IF INSTALLING INTO NEW OR EXISTING BRACKETRY PLEASE ENSURE A LOCK NUT IS USED TO SECURE THE FITTING IN POSITION IN THE CORRECT ORIENTATION.**



**RE-LAMPING**

22) DISCONNECT ELECTRICAL SUPPLY BEFORE RE-LAMPING  
 23) UNCLIP THE GLAZING BOWL  
 24) RELAMP. REFER TO THE LABEL ON THE LUMINAIRE FOR CORRECT LAMP TYPE AND WATTAGE. FOR 26W AND 35W SOX ONLY,  
 UNFASTEN AND HINGE DOWN TOP TRAY AND REFER TO THE LABEL  
 ADJACENT TO THE LAMPHOLDER BRACKET.  
 NOTE: SON E LAMPS FITTINGS, THERE IS AN INTERNAL STARTER FITTED ON ALL SON GEAR TRAYS.  
 DO NOT FIT SON-E VERSION LAMP THAT HAVE AN INTERNAL STARTER.

LANTERN TYPE	MAX. WINDAGE
ASCENT	0.18m <sup>2</sup>
DOVER	0.16m <sup>2</sup>
EXCEL	0.18m <sup>2</sup>
HERITAGE	0.24m <sup>2</sup>
NEXUS	0.18m <sup>2</sup>
POLAR	0.21m
STRATUM	0.17m <sup>2</sup>
VECTOR	0.17m <sup>2</sup>

NOTE: HERITAGE MAX. HT. = 785mm  
 10/600/06



Pindar Road, Hoddesdon, Hertfordshire, EN11 0DX  
 Tel: 01992 474600 Fax: 01992 474601  
 E-mail: info@dwwindsor.co.uk  
 www.dwwindsor.co.uk