

Installation Instructions



IMPORTANT

- DISCONNECT ELECTRICAL SUPPLY BEFORE INSTALLATION OR SERVICING.
- THIS PRODUCT MUST BE EARTHED.
- THIS PRODUCT IS DESIGNED TO OPERATE OUTDOORS. IF REQUIRED TO BE USED INDOORS PLEASE CONSULT DW WINDSOR.

IP65 IK08   

230VAC 50Hz

Product Details

The Windsor range is supplied with lantern and "spigot fixing" separated.

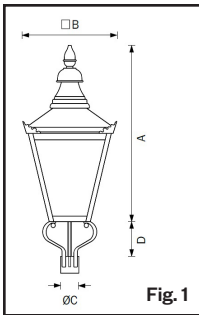


Fig. 1 - Windsor lantern

	Dimensions (mm)					Max. Weight (kg)*	Windage m ²
	A	B	C	ØC	D		
Street	833	440	76	76	188	10.3	0.28
Avenue	745	390	76	76	119	8.3	0.22

*Maximum weight of lantern including spigot fixing

Tools Required

Tools not supplied.

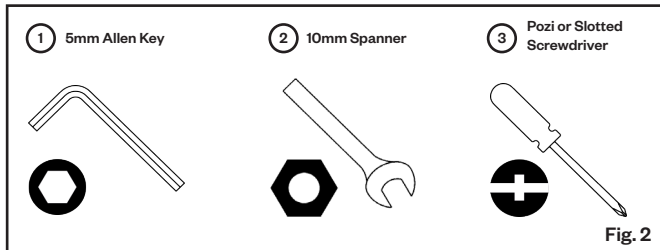


Fig. 2 - Tools required for Windsor / Lancaster installation. Not supplied.

Recommended Torque

	Base Nut Torque (Nm)	Column Mounting Torque (Nm)
Street	30	16
Avenue	30	16

Base Attachment

Unpack the lantern and frog and fix them together as shown below.

Step 1

Unpack lantern and base. Pass cable through centre of base. Locate base on studs. Tighten nuts onto studs to the correct torque. Refit black balls finger tight. Wire cable into terminal block:

Important Wiring Code

L = Live, N = Neutral, E = Earth

This lantern must be earthed.

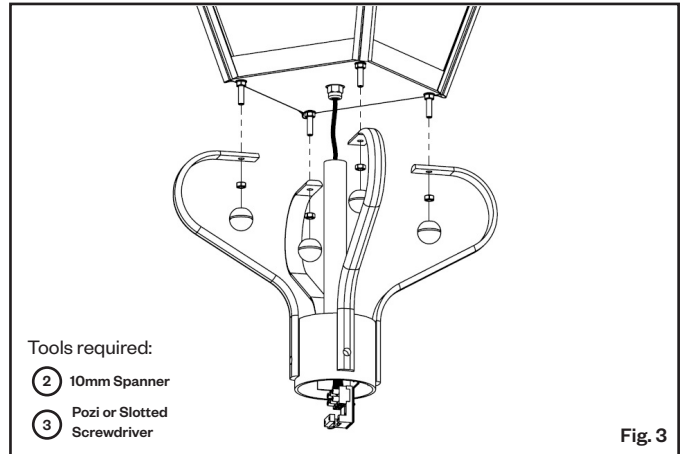


Fig. 3 - Attaching frog base.

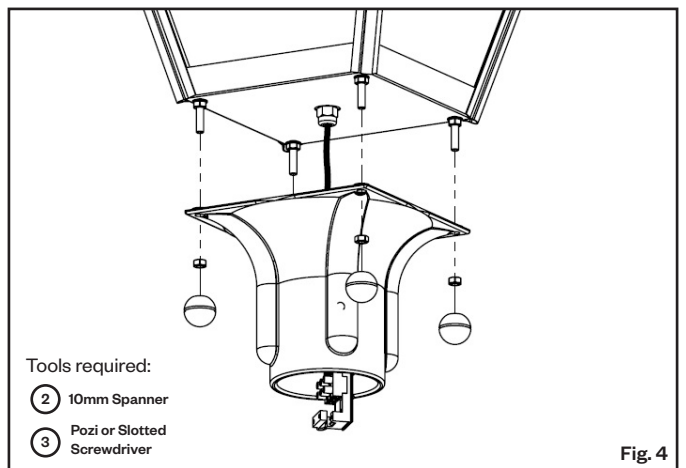


Fig. 4 - Attaching cast base.

NOTE!

- Luminaire to be positioned so that prolonged staring into the luminaire at short distances is not expected.
- Do not stare at operating light source.
- Personnel to wear Protective Safety Glasses compliant with EN166 1F/ EN169 - 5 when commissioning or maintaining this luminaire.

Due to continuous product development the details within this document are subject to change at any time, please contact us for the most up-to-date information or visit: www.dwwindsor.com

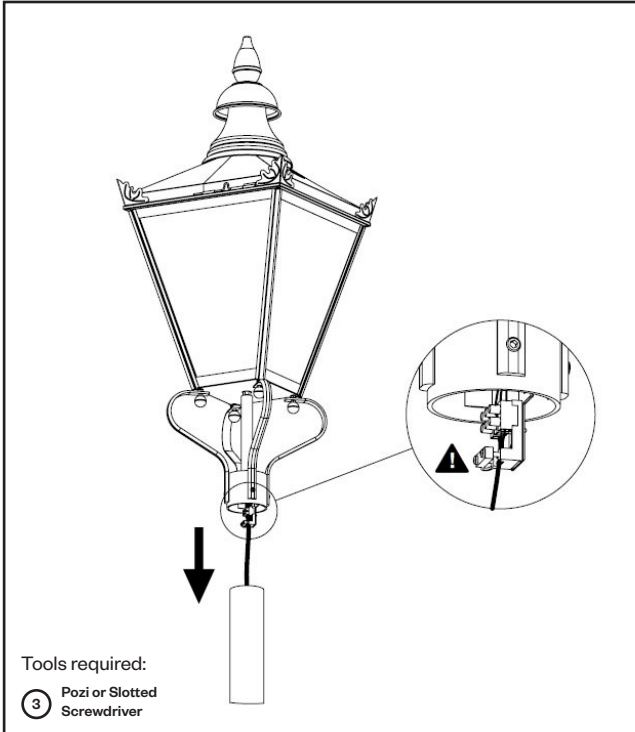
DW Windsor
Pindar Road, Hoddesdon, Hertfordshire, EN11 ODX
T: +44 (0) 1992 474600 | E: info@dwwindsor.com
dwwindsor.com

Issue 03 - February 2018

Windsor installation steps

Step 2

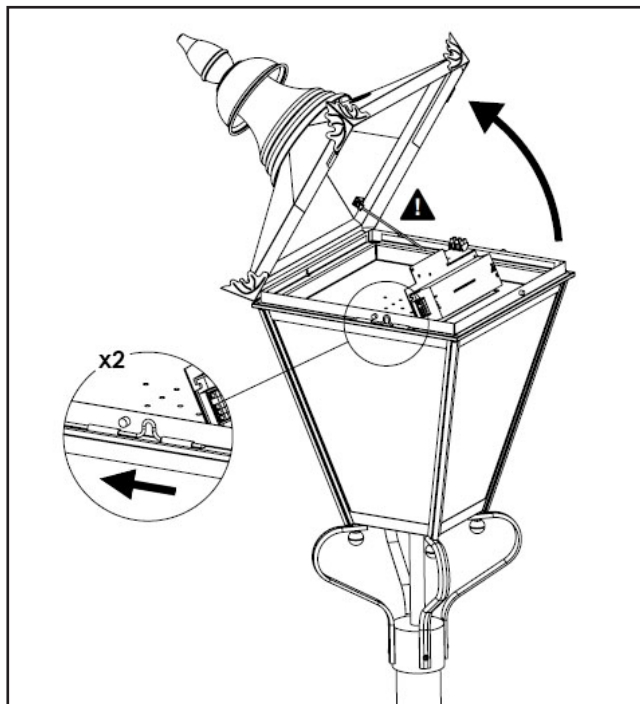
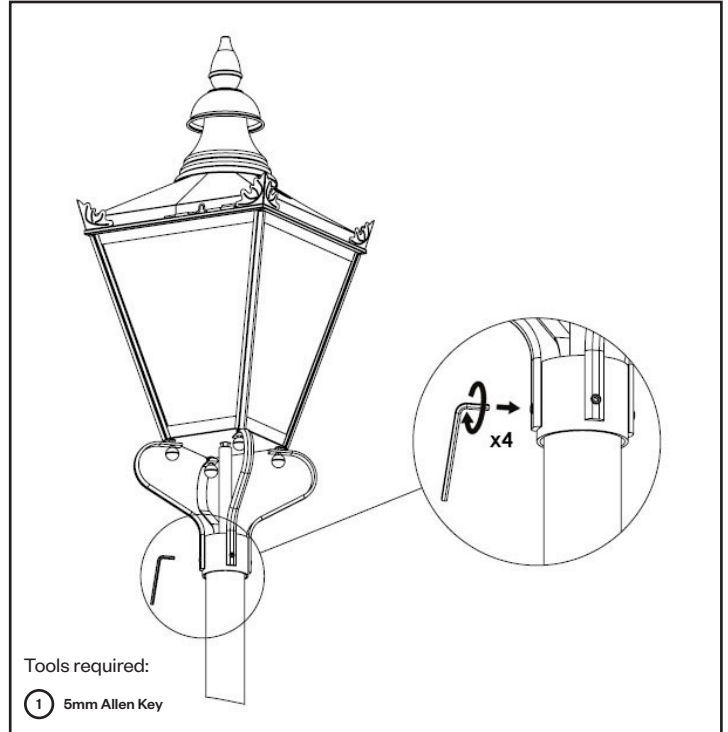
Wire cable into terminal block and carefully fit lantern onto column.



▲ See sheet 1 for wiring code.

Step 3

Ensure lantern is vertical. Tighten set screws to the correct torque.



▲ Ensure lid stay is secure before relamping.

Lamping, Relamping, and Maintenance Access

Unfasten the two slide catches holding the lid in position, hinge up the lid and support it with the lid stay.

For lamped lanterns, ensure correct lamp is used (refer to the information on the control gear ballast if in doubt). Loosen the screws on the lampholder bracket and lift clear. Fit the lamp into the lampholder. For ES and GES lamps, ensure they are firmly screwed home. The lampholders are fitted with an anti-vibration device. Refit lampholder and lid.

NOTE!

LEDs contained within this luminaire shall only be replaced by the manufacturer, their service agent or similar qualified person.



DW Windsor

Pindar Road, Hoddesdon, Hertfordshire, EN11 ODX
T: +44 (0) 1992 474600 | E: info@dwwindsor.com
dwwindsor.com

Issue 03 - February 2018