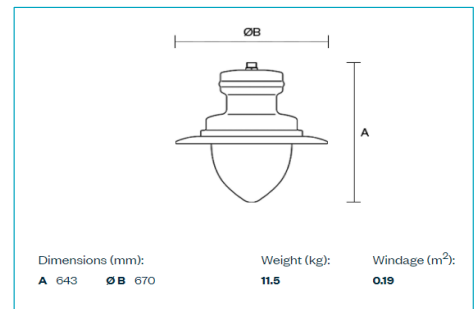


Product Name	Strand A
Mounting Options	Easy-fit™ / Threaded 1.25" BSP
Output	up to 18,069lm
Light Source	LED / Lamp versions available
Colour Temp	2700K / 3000K / 4000K
CRI	>70 (4000K)
Distribution	Diamond+ optic system / Glass bowl refractor / Diffuser
Number of LEDs	1-64
Power	22-137W
Luminaire Efficacy (max)	up to 130lm/W
Electrical Class	Class I
Operating Voltage	220-240V
Driver	DALI (fully programmable with Constant Light Output enabled)
Drive Current Range	200mA to 1,000mA
Lifetime	Performance LED Light Engine: 100,000 hours (L80) PerformanceCoB Light Engine: 100,000 hours (L80) Comfort CoB Light Engine: 100,000 hours (L80) Gas Effect Light Engine: 60,000 hours (L70)
Operating Temperature	-45°C to +50°C
IP Rating	IP65
IK Rating	IK08
Colour Finish	Black RAL 9005 / Anthracite Grey 7016 / Dusty Grey RAL 7037 / Sapphire Blue 5003 / Light Moss Green RAL 6005 / Wine Red RAL 3005 (other RAL colours on request)
Housing Material	Aluminium
Finish	Polyester powder coat
Glazing Material	Clear polycarbonate
Weight	11.5kg
Certifications	CE , ENEC
Control Systems	Switched: On / off through miniature photocell Dimmable: Factory set dimmed / customer specified dimming CMS: Compatible with all available CMS systems



Additional Information