

## Installation Instructions

### IMPORTANT

- DISCONNECT ELECTRICAL SUPPLY BEFORE INSTALLATION OR SERVICING.
- THIS PRODUCT MUST BE EARTHED.
- THIS PRODUCT IS DESIGNED TO OPERATE OUTDOORS. IF REQUIRED TO BE USED INDOORS PLEASE CONSULT DW WINDSOR.
- THE LIGHT SOURCE FITTED IN THIS LUMINAIRE SHALL ONLY BE REPLACED BY DW WINDSOR
- DO NOT LOOK DIRECTLY AT LED LIGHT SOURCE ( NON-OPAL VERSION )
- THE LUMINAIRE SHOULD BE POSITIONED SO THAT PROLONGED STARING INTO THE LUMINAIRE AT DISTANCE CLOSER THAN 1.2M IS PREVENTED

IP66 IK10   

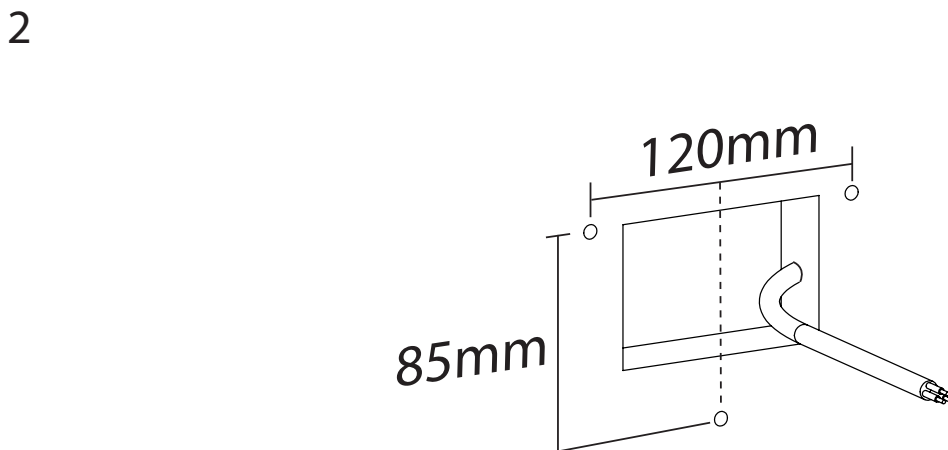
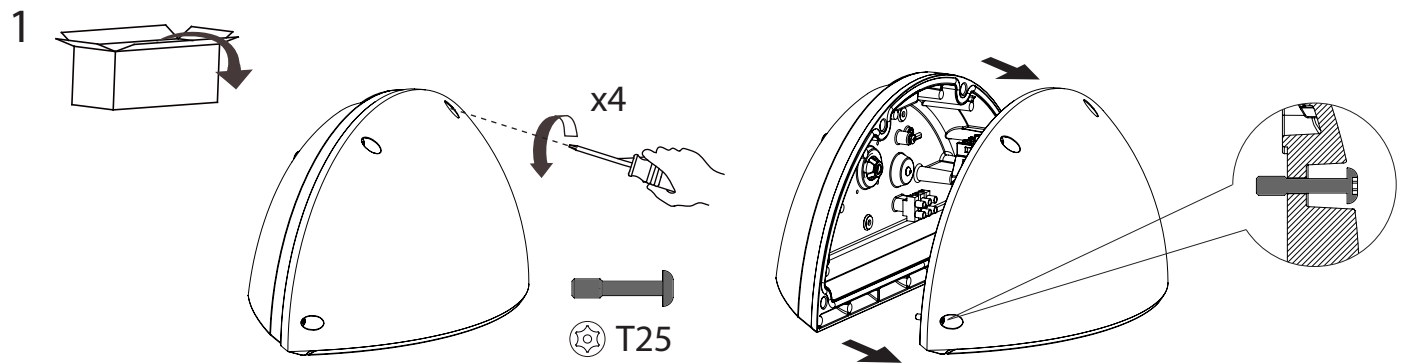
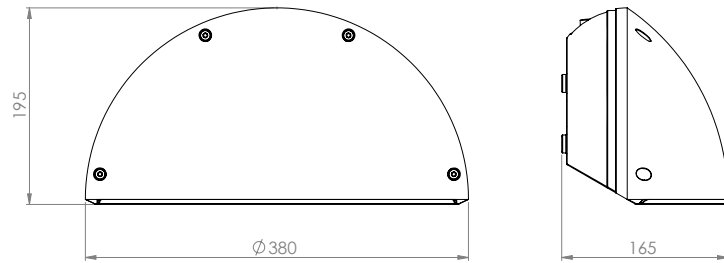
230VAC 50Hz

This product contains a light source of energy efficiency class D to G, depending on drive current, LED colour temperature, optic and glazing type. Please refer to the product page on the DW Windsor website for the energy efficiency class for each product configuration.

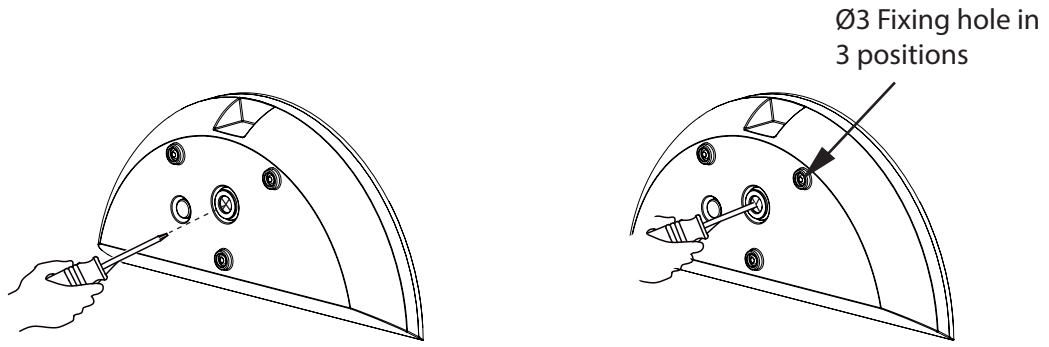
### Product Details

	Max. Weight (kg)
Sephora Wall	3.0
Sephora Wall with Emergency	3.8

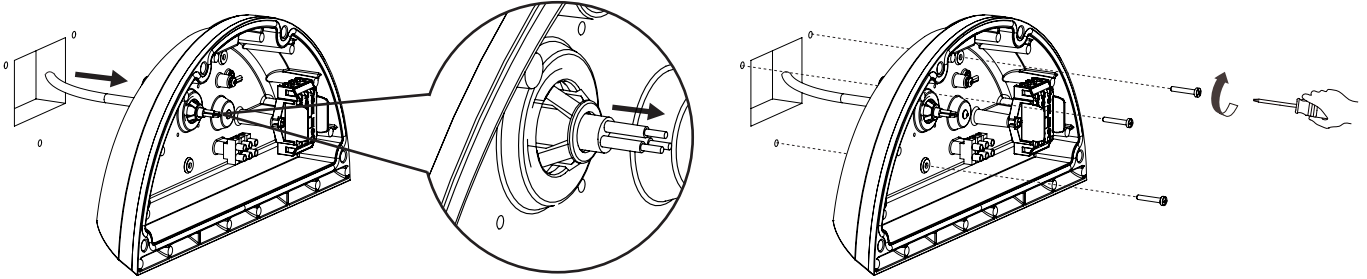
	Power Ranges (Watts)
16 LED	12 - 37W



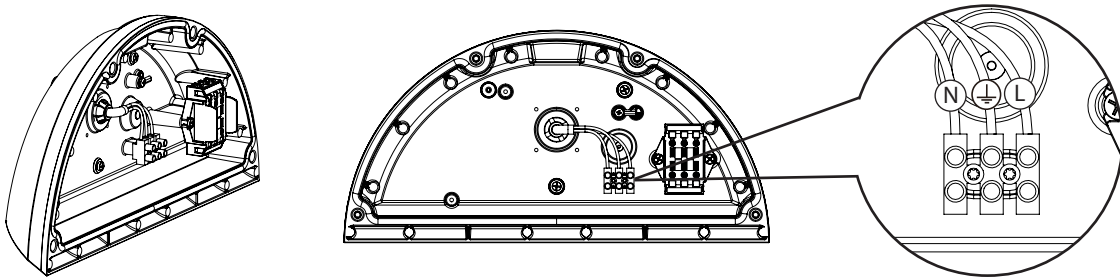
3



4



5



6

