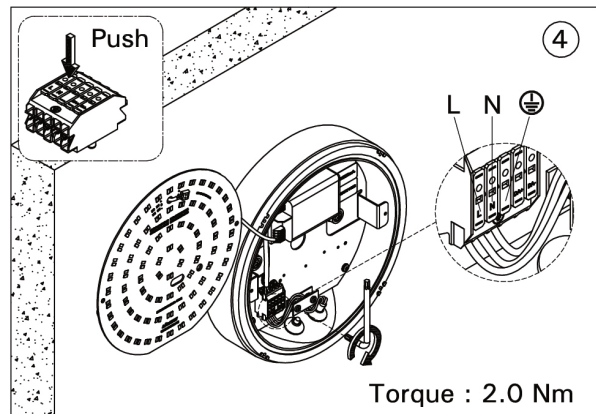
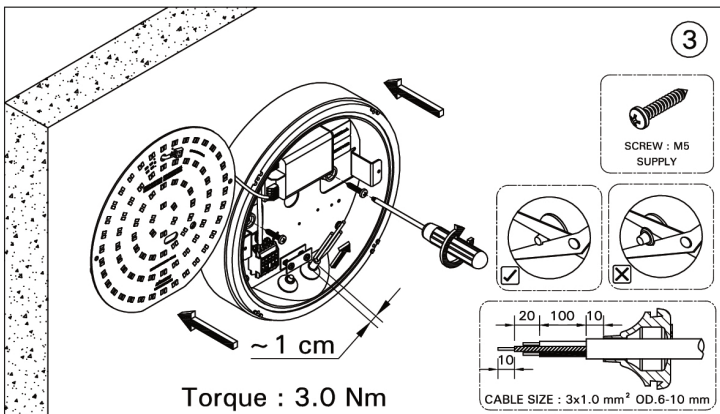
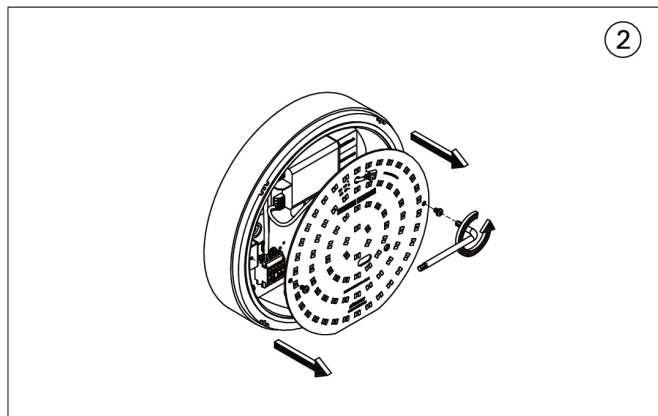
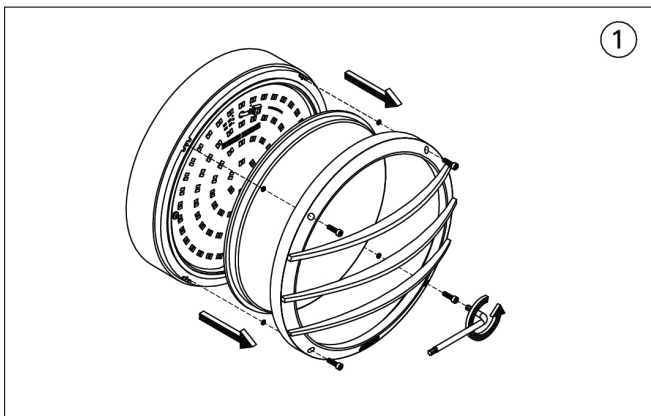
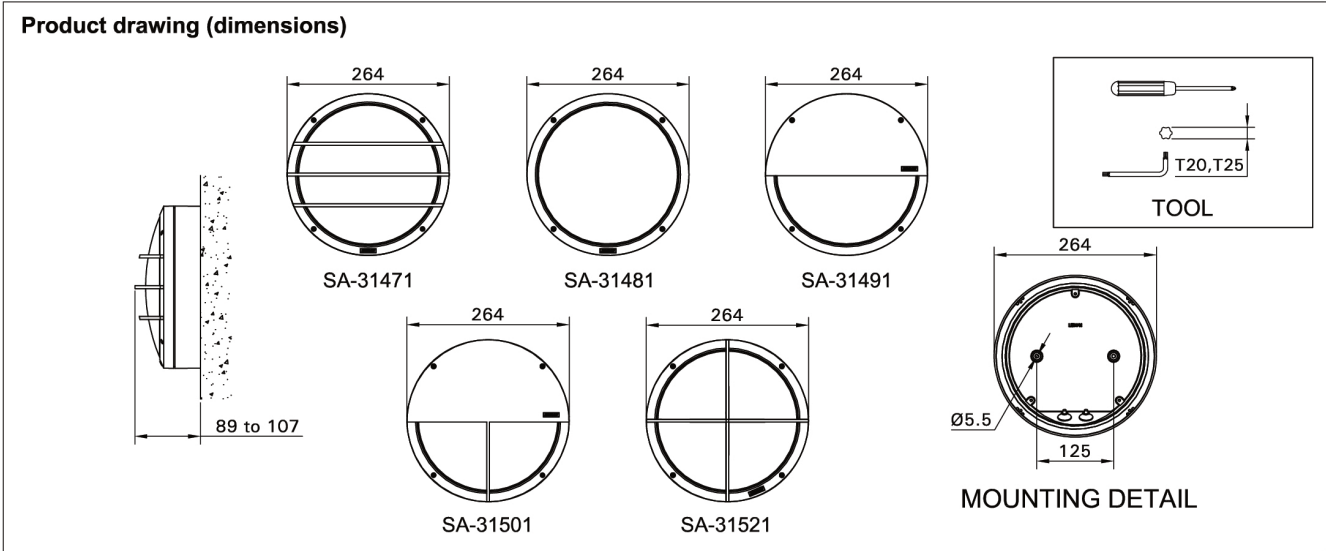
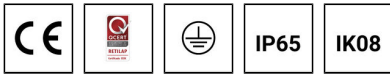
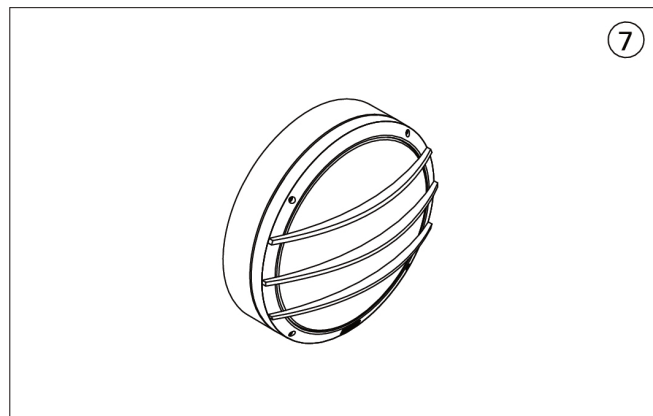
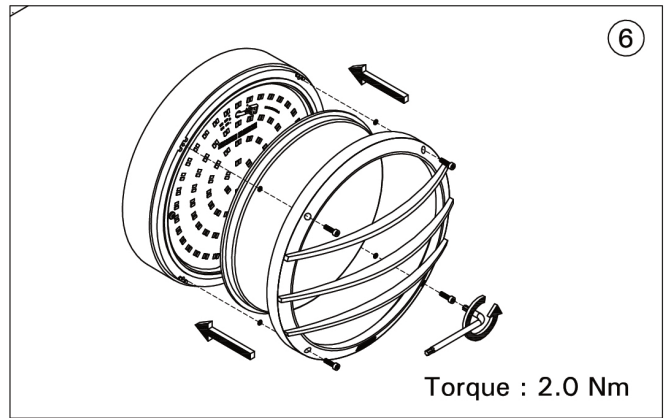
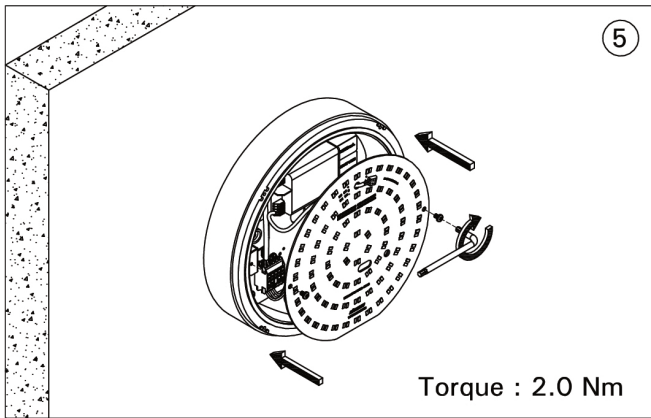


## SANDY 1 - SA-31471

THAILAND  
 LIGMAN Lighting Co.,Ltd.  
 17/2 Moo 4, Monthong,  
 Bang Nam Prio,ao,  
 24150 Chachoengsao  
 Thailand  
 info@ligman.com





## Procedure for removing / replacing the light source (LS) / the control gear (CG)

**SLR 1**



**SLR 4**



**SLR 6**



**SLR 2**



**SLR 5**



**SLR 7**



**SLR 3**



**SLR 8**







