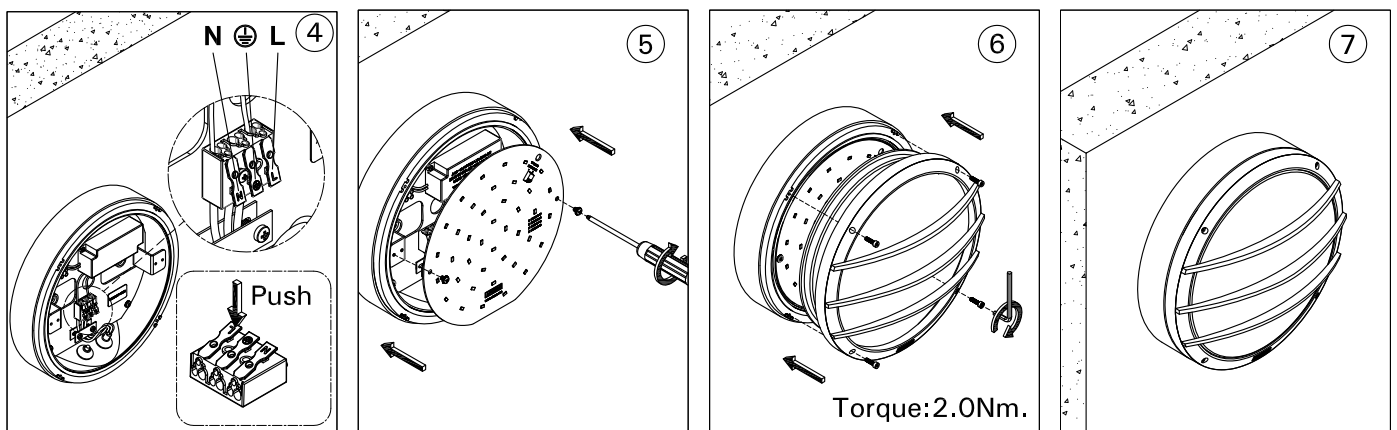
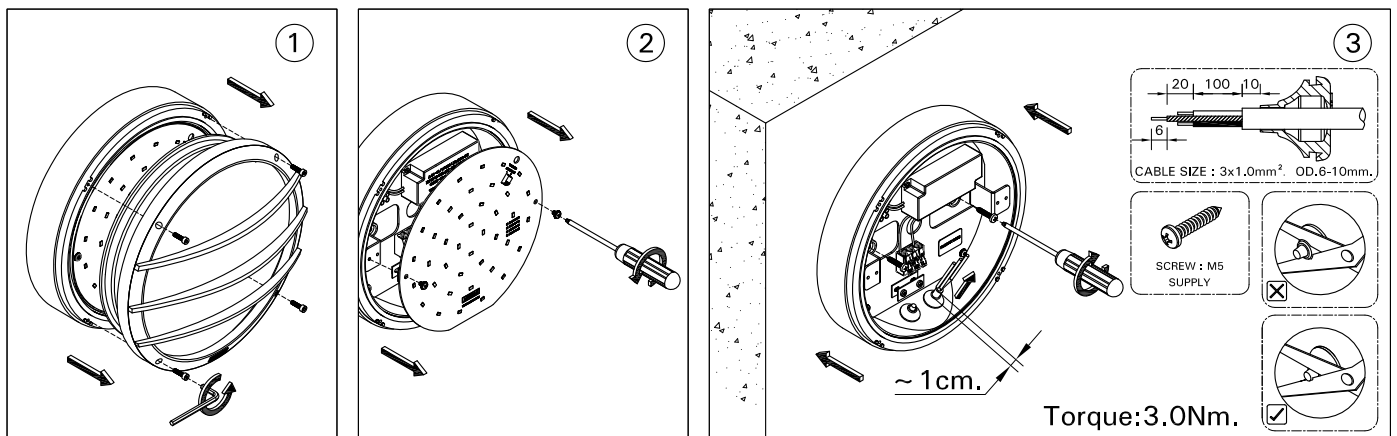
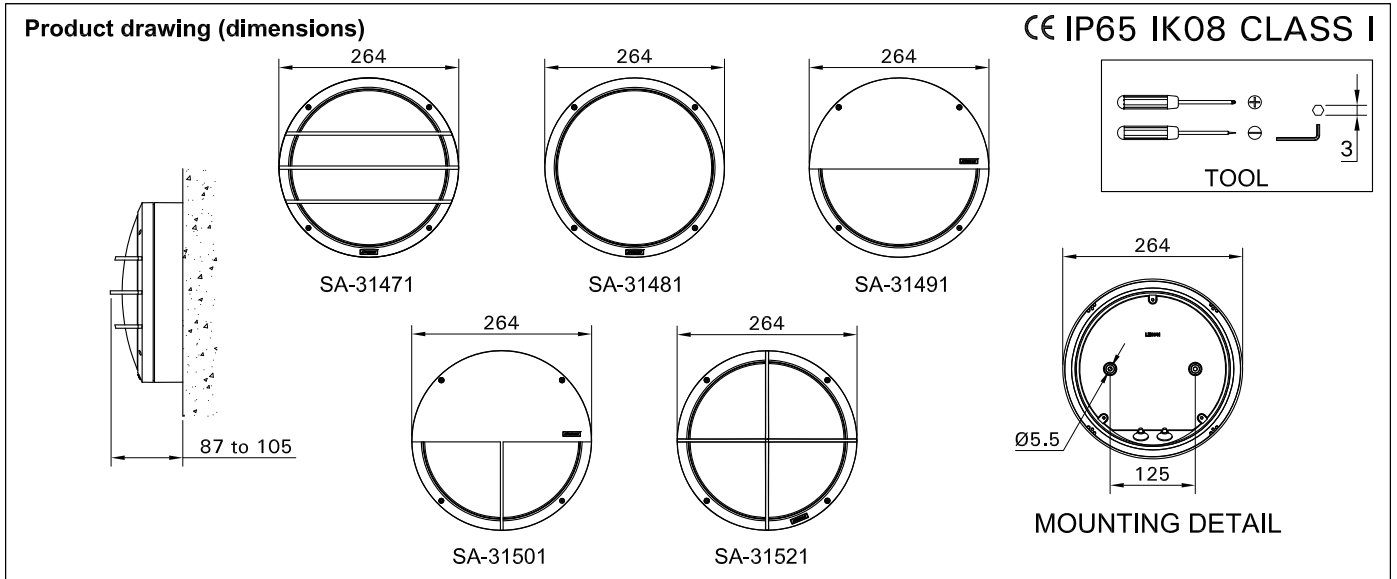


For Installation of Sandy Surface mounted luminaires LED.  
 Model. SA-31471 ,SA-31481 ,SA-31491 ,SA-31501 and SA-31521.



- LIGMAN standard products are supplied with the control gear 220-240V 50/60Hz. The control gear for other voltages and frequencies is available upon request, please consult us for more details.
- LIGMAN luminaires are designed to conform IEC 60598 2-1 standard.

Technical amendments and modifications techniques reserved.

## Ligman Lighting

**Europe Headquarters**  
 Ligman Europe s.r.o.  
 VGP Park Usti nad Labem, P 2  
 Prestanov 113  
 403 17 Prestanov  
 Czech Republic  
 Tel. +420 608 740 504 | sales.cz@ligman.com

**Thailand Headquarters**  
 Ligman Lighting Co., Ltd.  
 17/2 Moo 4, Monthong, Bangnampreaw  
 Chachoengsao 24150 Thailand  
 Tel : +66 (2) 7339140  
 info@ligman.com

**Ligman SAS France**  
 7 rue Antoine Becquerel  
 Centre d'activités Triasis  
 31140, Launaguet  
 Tel: +33 5 61 70 24 62  
 sales.fr@ligman.com