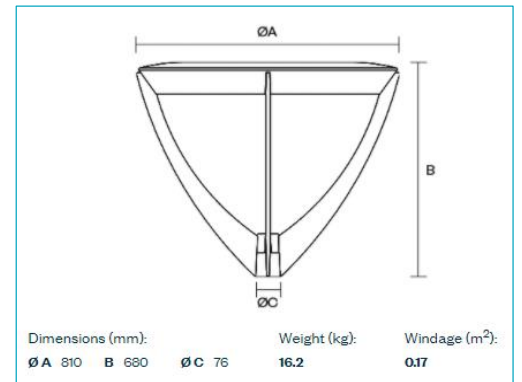


Product Name	Milano Halo
Mounting Options	Post top Ø76mm (Ø60mm on request)
Output	up to 16,100lm
Light Source	LED
Colour Temp	2400K / 2700K / 3000K / 4000K
CRI	>70 (4000K Performance light engine) >80 (3000K / 2700K Performance light engine) > 92 (2400K / 2700K / 3000K Comfort light engine)
Distribution	Diamond+ (Wide road / Standard road / Footpath / Area / Symmetric)
Number of LEDs	16
Power	38-148W
Luminaire Efficacy (max)	up to 140lm/W
Electrical Class	Class I (II on request)
Operating Voltage	220-240V
Driver	DALI (fully programmable with Constant Light Output enabled)
Drive Current Range	200-800mA
Lifetime	100,000 (L90)
Operating Temperature	-25°C to +50°C
IP Rating	IP66
IK Rating	IK09
Colour Finish	White RAL 9016 / Black RAL 9005 / Aluminium RAL 9006 / Metallic Grey 9007 / Metallic Dark Grey DB703 / Corten Brown (other RAL colours on request)
Housing Material	Body: high pressure die-cast aluminium Outer housing: spun aluminium
Finish	Polyester powder coat
Glazing Material	Flat toughened glass
Weight	16.2kg
Certifications	CE
Control Options	Photocell / Part-night switching / Pre-programmed dimming / NEMA socket / Integral CMS



Additional Information