

Installation Instructions

! IMPORTANT

- DISCONNECT ELECTRICAL SUPPLY BEFORE INSTALLATION OR SERVICING.
- THIS PRODUCT MUST BE EARTHED.
- THIS PRODUCT IS FITTED WITH TOUGHENED GLASS.
- DO NOT LOOK DIRECTLY AT LED LIGHT SOURCE.
- THIS PRODUCT IS DESIGNED TO OPERATE OUTDOORS. IF REQUIRED TO BE USED INDOORS PLEASE CONSULT DW WINDSOR.
- LUMINAIRE TO BE POSITIONED SO THAT PROLONGED STARING INTO THE LUMINAIRE AT DISTANCES CLOSER THAN 2.5M IS NOT EXPECTED.

IP66 IK09   

230VAC 50Hz

Product Details

	Dimensions (mm)			Max. Weight (kg)	Windage(m ²)
	A	B	C		
Milano Classic	650	580	76	17.4	0.13
Milano Halo	810	680	76	16.2	0.17

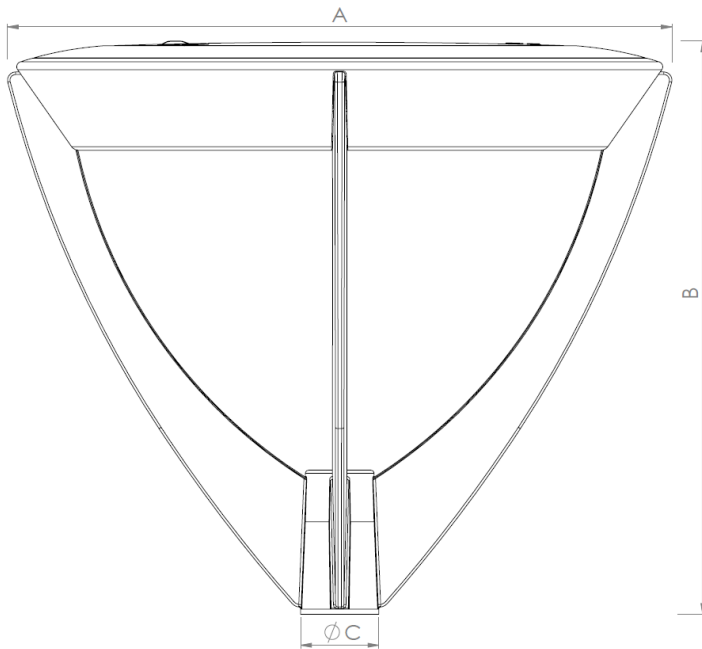


Fig. 1 - Milano Overall Dimensions - See Table

Column Preparations

To prepare the column for fitment of the luminaire drill and tap 3 M8 through holes with 120° spacing 30mm from the top of the column, repeat 163mm from the top of the column.

DRILL & TAP M8
THRU 3 PAIRS AT
120° SPACING

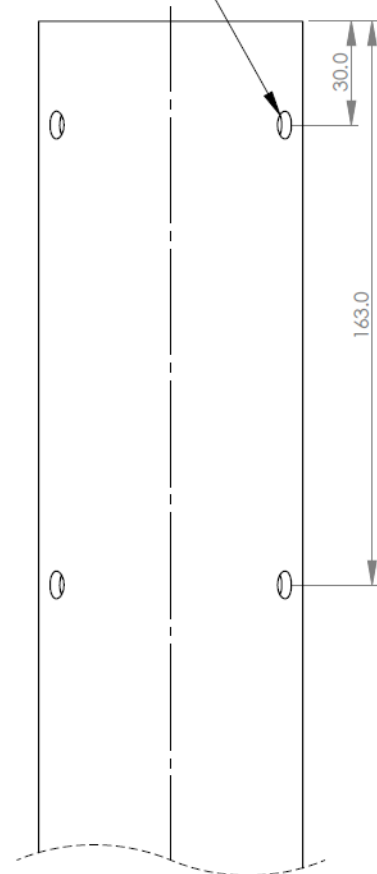


Fig. 3 - Column Fixing Dimensions

Tools Required

Tools not supplied.

1 Slotted Screwdriver

2 4mm Allen Key

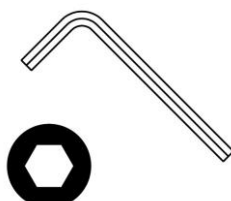
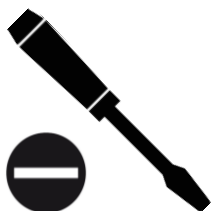


Fig. 2 - Tools Required

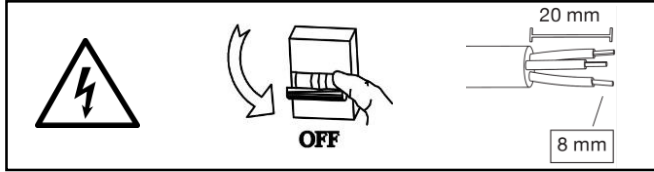
Due to continuous product development the details within this document are subject to change at any time, please contact us for the most up-to-date information or visit: www.dwwindsor.com

DW Windsor
Pindar Road, Hoddesdon, Hertfordshire, EN11 ODX
T: +44 (0) 1992 474600 | E: info@dwwindsor.com
www.dwwindsor.com

Milano Installation Steps | Fitting Luminaire to Column

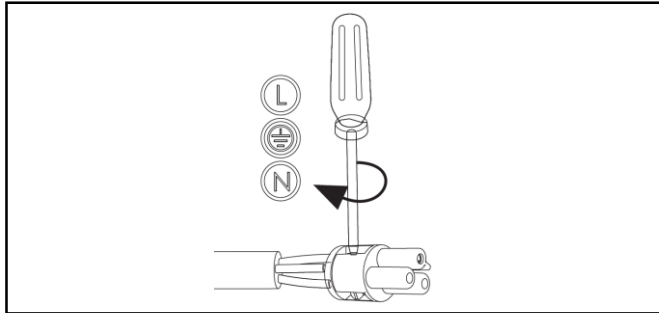
Step 1

Turn off mains power. Strip the mains cable protruding from the top of the column to the lengths specified on the diagram below.



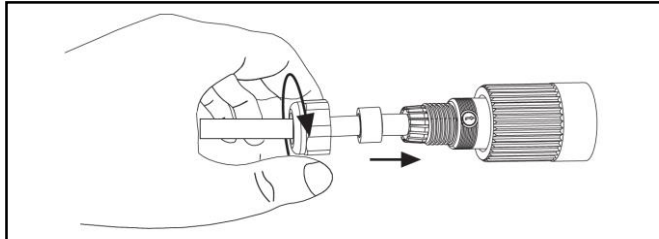
Step 3

Terminate live, neutral and earth cables into the terminal block. These positions are marked on the terminal block with an L, N and \oplus .



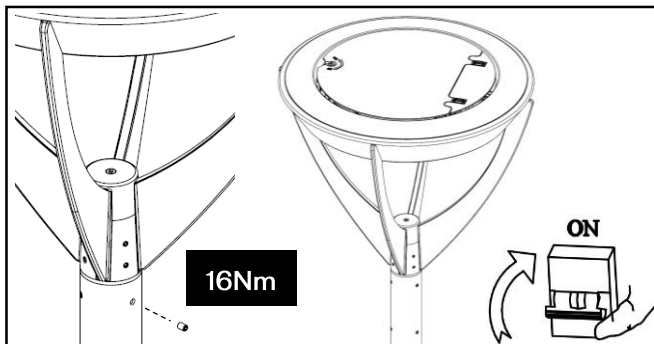
Step 5

Tighten the gland fully around the mains cable in order to IP protect the product.



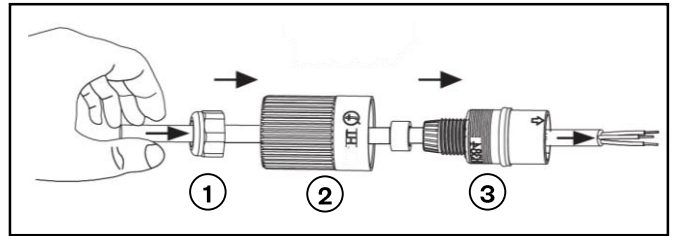
Step 7

Fit the luminaire centrally into the column ensuring correct orientation and tighten the 6x M8 grub screws (16Nm) attaching the luminaire securely onto the column. Once cable routing has been completed and checked, mains power can be restored.



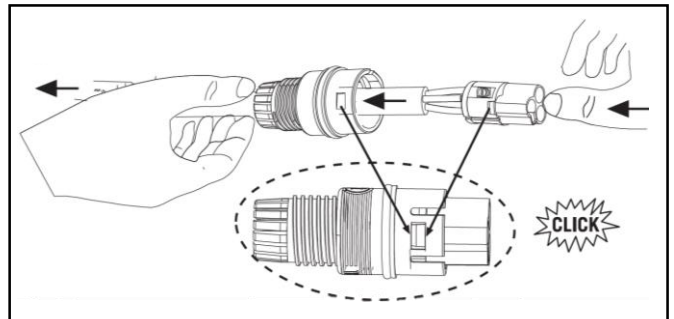
Step 2

Assemble the connector parts onto the mains cable in the order shown on the diagram below.



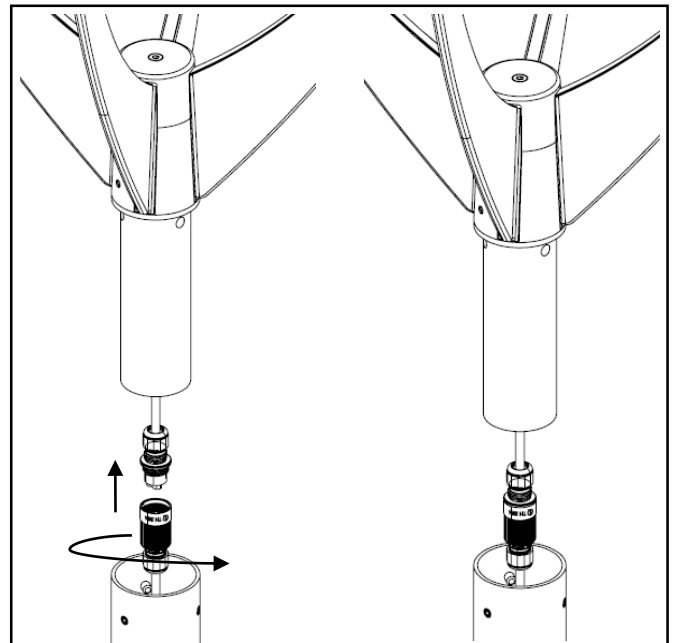
Step 4

Push the terminal block into position ensuring it is in the correct orientation, it should click into position when fitted correctly.



Step 6

Attach the mains cable connector to the luminaire connector, tighten the connectors together fully in order to IP protect the product.



NOTE!

LEDs contained within this luminaire shall only be replaced by the manufacturer, their service agent or similar qualified person.



DW Windsor

Pindar Road, Hoddesdon, Hertfordshire, EN11 0DX
T: +44 (0)1992 474600 | E: info@dwindsor.com
www.dwindsor.com