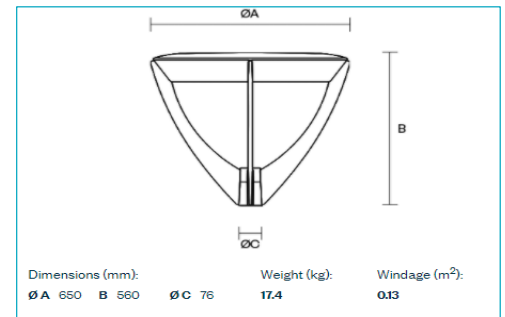


<b>Product Name</b>	Milano Classic
<b>Mounting Options</b>	Post top $\varnothing 76$ mm ( $\varnothing 60$ mm on request)
<b>Output</b>	up to 17,500lm
<b>Light Source</b>	LED
<b>Colour Temp</b>	2400K / 2700K / 3000K / 4000K
<b>CRI</b>	>70 (4000K Performance light engine) >80 (3000K / 2700K Performance light engine) >92 (2400K / 2700K / 3000K Comfort light engine)
<b>Distribution</b>	Diamond+ (Wide road / Standard road / Footpath / Area / Symmetric)
<b>Number of LEDs</b>	16
<b>Power</b>	38-148W
<b>Luminaire Efficacy (max)</b>	up to 140lm/W
<b>Electrical Class</b>	Class I (II on request)
<b>Operating Voltage</b>	220-240V
<b>Driver</b>	DALI (fully programmable with Constant Light Output enabled)
<b>Drive Current Range</b>	200-800mA
<b>Lifetime</b>	100,000 (L90)
<b>Operating Temperature</b>	-25°C to +50°C
<b>IP Rating</b>	IP66
<b>IK Rating</b>	IK09
<b>Colour Finish</b>	White RAL 9016 / Black RAL 9005 / Aluminium RAL 9006 / Metallic Grey 9007 / Metallic Dark Grey DB703 / Corten Brown (other RAL colours on request)
<b>Housing Material</b>	Body: high pressure die-cast aluminium Outer housing: spun aluminium
<b>Finish</b>	Polyester powder coat
<b>Glazing Material</b>	Flat toughened glass
<b>Weight</b>	17.4kg
<b>Certifications</b>	CE
<b>Control Options</b>	Photocell / Part-night switching / Pre-programmed dimming / Integral CMS



Additional Information