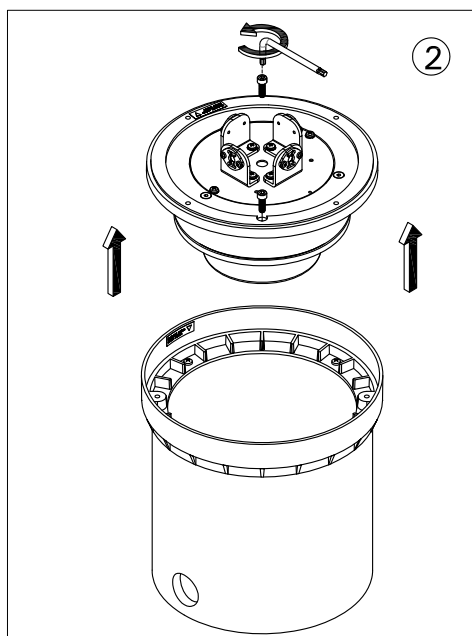
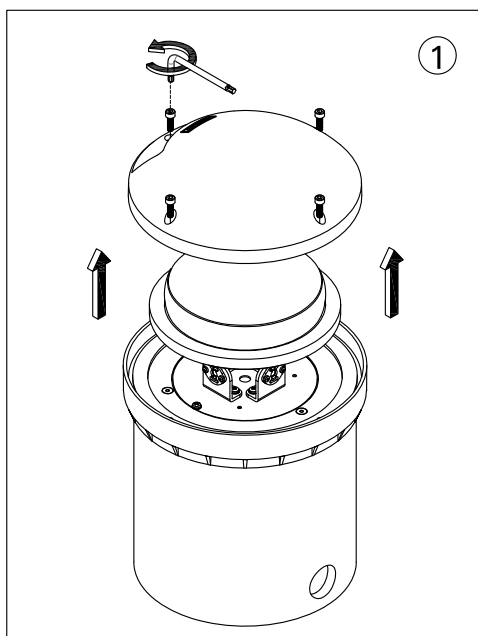
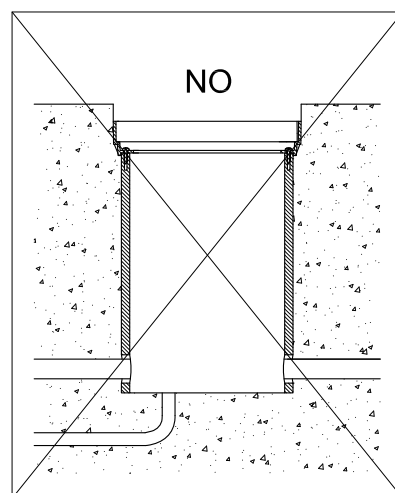
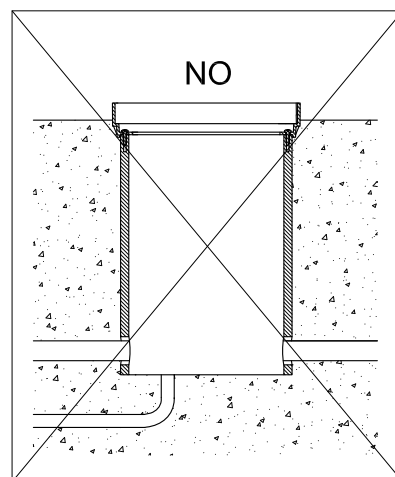
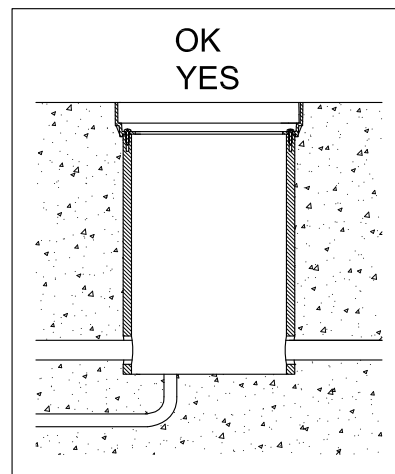


For Installation of Mask inground guide light LED.
Model. MK-60249, MK-60259, MK-60269 and MK-60729

Product drawing (dimensions) **CE IP67 IK10 CLASS I** (0.5m)

- MK-60249 & MK-60259 Drive over 4,000kg. at max.10km/h.
- MK-60269 Drive over 2,000kg. at max.10km/h.
- MK-60729 Drive over 1,000kg. at max.10km/h.



- **LIGMAN** standard products are supplied with the control gear 220-240V 50/60Hz. The control gear for other voltages and frequencies is available upon request, please consult us for more details.
- **LIGMAN** luminaires are designed to conform IEC 60598 2-13 standard.

Technical amendments and modifications techniques reserved.

Ligman Lighting

Europe Headquarters
Ligman Europe s.r.o.
VGP Park Usti nad Labem, P 2
Prestanov 113
403 17 Prestanov
Czech Republic
Tel. +420 608 740 504 | sales.cz@ligman.com

Thailand Headquarters
Ligman Lighting Co., Ltd.
17/2 Moo 4, Monthong, Bangnampreaw
Chachoengsao 24150 Thailand
Tel : +66 (2) 7339140
info@ligman.com

Ligman SAS France
7 rue Antoine Becquerel
Centre d'activités Triasis
31140, Launaguet
Tel: +33 5 61 70 24 62
sales.fr@ligman.com

