

**LIGHTSOFT 20 (LH-10823)**



**Product description**

186x186 mm - 1000 mm - 10.5 hours of operation time (2 Step dimming with motion sensor override) - 5 days of autonomy



**Luminaire Structure**

- Die-cast aluminium housing
- Extruded aluminium column
- Pre-treated before powder coating ensuring high corrosion resistance
- Stainless steel fasteners in grade 304 with zinc flake coating (ZFC)
- Durable silicone rubber gasket
- Clear acrylic PMMA diffuser
- Integral control gear
- Solar panel mono-crystalline silicon high-efficiency 4x10W

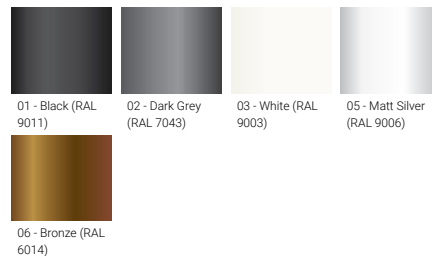
- Lithium Iron Phosphate (LiFePO4 ) battery 16.5Ah 12 VDC
- Solar charger controller system 12V 10A
- Luminaires operation time depends on the weather conditions
- Full automatic electronic protection function against short circuit, overcurrent, overload, overvoltage and high temperature
- Standard: Off-grid, 100% solar, not connected to the utility grid. Utility grid connection is available upon request
- Without any sun (Autonomy), the battery would last for a maximum 5 days
- Motion sensor integrated
- Different dimming options are available

- STD: 2 Step dimming with motion sensor override (3 hours: 60% without movement, 100% for 1 minute when the motion sensor activated. After 3 hours: 30% without movement, 60% for 1 minute when the motion sensor activated)
- ND: Dusk to Dawn, CT: Custom examples are 5 Step dimming, Custom hours, Custom dimming levels (Step length and minimum dim level is 10%)
- Maximum 35.5 hours of operation time (2 Step dimming with motion sensor override)
- Remote solar charge controller can be ordered as an accessory
- Autonomy and Operation time calculations are done with the following information: Peak Sun-Hour (PSH) is 3 hours. Hours of operation are 12 hours per day. Detection of movement is 5 times per hour.
- Autonomy and Operation time calculations are only indicative and will depend on several variable factors. Please contact the factory to determine the specific calculations for your project.

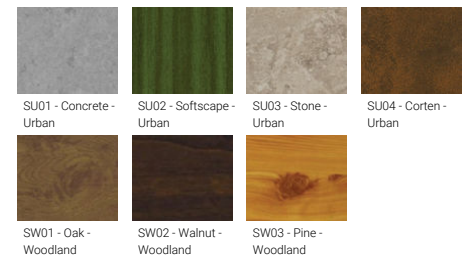
**Light symbol**



**Product colour**



**Special finishes upon request**

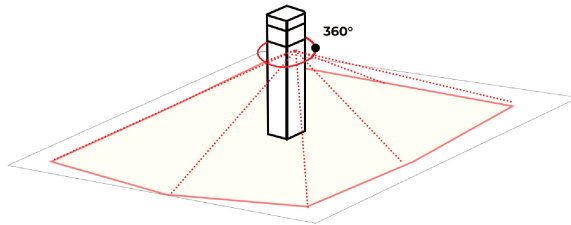


**LIGHTSOFT 20 (LH-10823)**

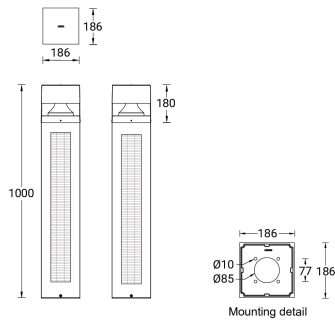
**Technical information**

<b>Light source</b>	18 LED	<b>Luminaire</b>		
<b>Light source type</b>	LED	Power	6 W	
<b>Dimming type</b>	Solar Custom, Dusk to Dawn, 2 Step dimming with motion sensor override	Lumen	528 lm	Optic
<b>Material</b>	Aluminium	Efficacy	88 lm/W	T2 [136°x22°], T3 [140°x44°], T4 [148°x78°], VW [120°], W [108°]
<b>Weight</b>	19 kg	CCT / CRI	3000K CRI80, 4000K CRI80	MacAdam Ellipse
<b>Operating temperature</b>	-20 °C to 40 °C	Drive current	375 mA	Lifetime L90B10 (hours)
		Driver option	Integral control gear	> 120,000
		Driver	Constant current (CC)	Lifetime L80B10 (hours)
		Input voltage	Solar	> 120,000
				Lifetime L80B50 (hours)
				> 120,000

**LIGHTSOFT**  
Adjustable sensor (10 - 150 seconds)  
360° sensitivity  
Sensor detection area: 7 - 10 m



**LIGHTSOFT 20**  
**LH-10823**



**Accessories**



Anchor bolt  
**A10391**



Remote solar charge controller  
for Solar Integrated Bollards and  
Vertical Solar PV poles  
**A92691**