

LIGHTSOFT 20 (LH-10821)



Product description

186x186 mm - 1000 mm - 35.5 hours of operation time (2 Step dimming with motion sensor override) - 5.5 days of autonomy



Luminaire Structure

- Die-cast aluminium housing
- Extruded aluminium column
- Pre-treated before powder coating ensuring high corrosion resistance
- Stainless steel fasteners in grade 304 with zinc flake coating (ZFC)
- Durable silicone rubber gasket
- Clear acrylic PMMA diffuser
- Integral control gear
- Solar panel mono-crystalline silicon high-efficiency 4x10W

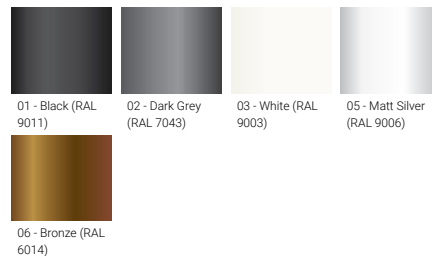
- Lithium Iron Phosphate (LiFePO4) battery 16.5Ah 12 VDC
- Solar charger controller system 12V 10A
- Luminaires operation time depends on the weather conditions
- Full automatic electronic protection function against short circuit, overcurrent, overload, overvoltage and high temperature
- Standard: Off-grid, 100% solar, not connected to the utility grid. Utility grid connection is available upon request
- Without any sun (Autonomy), the battery would last for a maximum 5 days
- Motion sensor integrated
- Different dimming options are available

- STD: 2 Step dimming with motion sensor override (3 hours: 60% without movement, 100% for 1 minute when the motion sensor activated. After 3 hours: 30% without movement, 60% for 1 minute when the motion sensor activated)
- ND: Dusk to Dawn, CT: Custom examples are 5 Step dimming, Custom hours, Custom dimming levels (Step length and minimum dim level is 10%)
- Maximum 35.5 hours of operation time (2 Step dimming with motion sensor override)
- Remote solar charge controller can be ordered as an accessory
- Autonomy and Operation time calculations are done with the following information: Peak Sun-Hour (PSH) is 3 hours. Hours of operation are 12 hours per day. Detection of movement is 5 times per hour.
- Autonomy and Operation time calculations are only indicative and will depend on several variable factors. Please contact the factory to determine the specific calculations for your project.

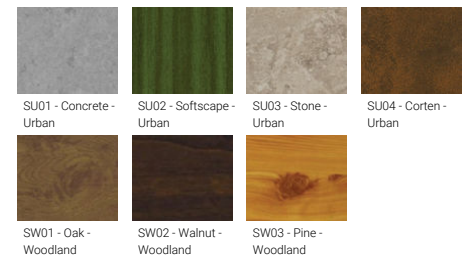
Light symbol



Product colour



Special finishes upon request

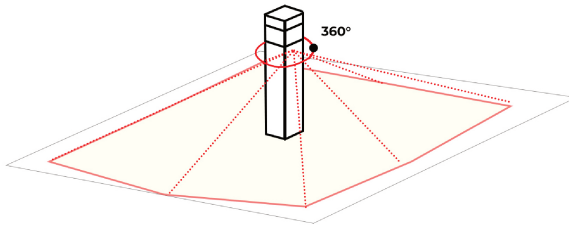


LIGHTSOFT 20 (LH-10821)

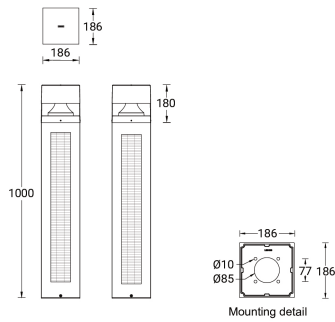
Technical information

Light source	18 LED	Luminaire		
Light source type	LED	Power	2 W	
Dimming type	Solar Custom, Dusk to Dawn, 2 Step dimming with motion sensor override	Lumen	176 lm	Optic
Material	Aluminium	Efficacy	88 lm/W	T2 [136°x22°], T3 [140°x44°], T4 [148°x78°], VW [120°], W [108°]
Weight	19 kg	CCT / CRI	3000K CRI80, 4000K CRI80	MacAdam Ellipse
Operating temperature	-20 °C to 40 °C	Drive current	125 mA	Lifetime L90B10 (hours)
		Driver option	Integral control gear	> 120,000
		Driver	Constant current (CC)	Lifetime L80B10 (hours)
		Input voltage	Solar	> 120,000
				Lifetime L80B50 (hours)
				> 120,000

LIGHTSOFT
Adjustable sensor (10 - 150 seconds)
360° sensitivity
Sensor detection area: 7 - 10 m



LIGHTSOFT 20
LH-10821



Accessories



Anchor bolt
A10391



Remote solar charge controller
for Solar Integrated Bollards and
Vertical Solar PV poles
A92691