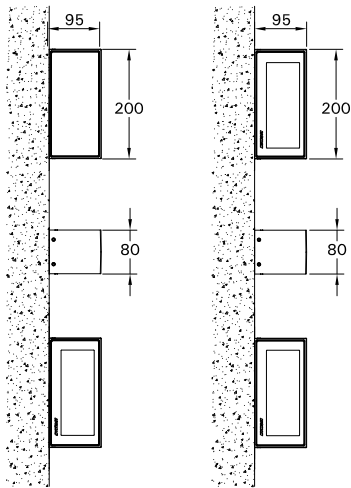


For Installation of Leeds medium and large wall luminaires down & up-down light LED. Model. LEE-30011, LEE-30021, LEE-30041 and LEE-30051.

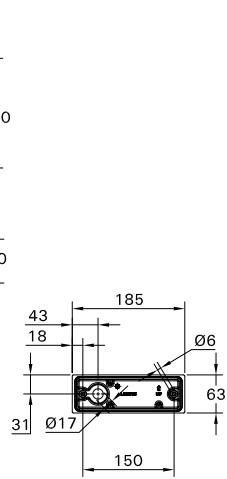
## Product drawing (dimensions)

CE IP65 IK07 CLASS I

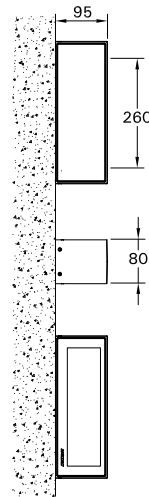


LEE-30011

LEE-30041

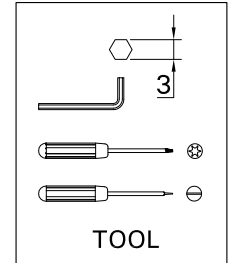


MOUNTING DETAIL

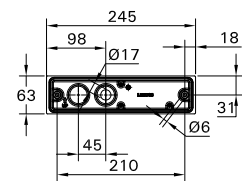


LEE-30021

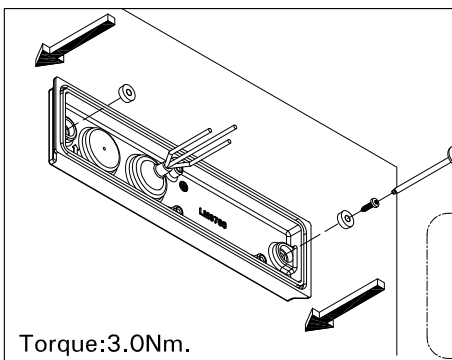
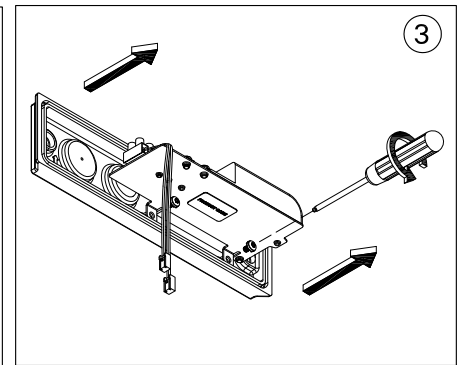
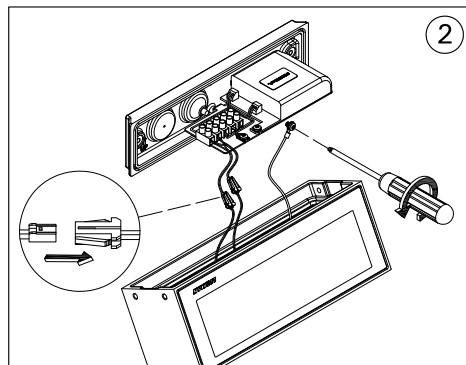
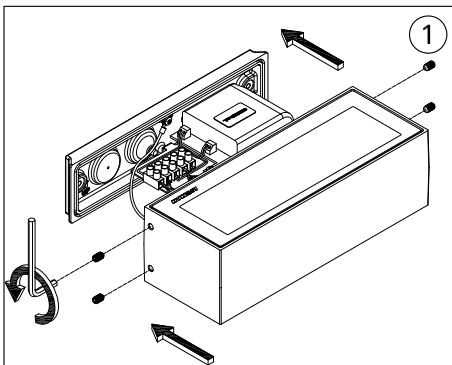
LEE-30051



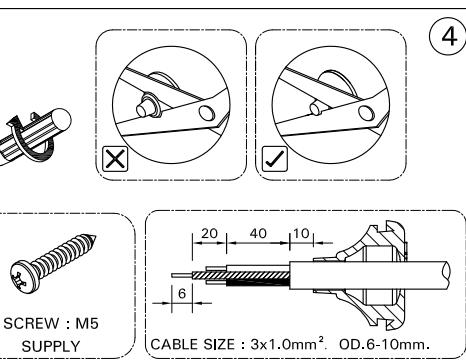
TOOL



MOUNTING DETAIL

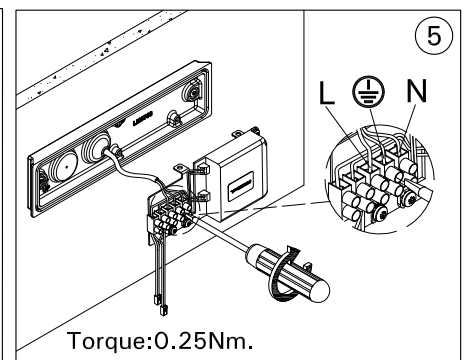


Torque: 3.0Nm.



SCREW : M5  
SUPPLY

CABLE SIZE : 3x1.0mm<sup>2</sup>. OD. 6-10mm.



Torque: 0.25Nm.

- LIGMAN standard products are supplied with the control gear 220-240V 50/60Hz. The control gear for other voltages and frequencies is available upon request, please consult us for more details.
- LIGMAN luminaires are designed to conform IEC 60598 2-1 standard.

Technical amendments and modifications techniques reserved.

## Ligman Lighting

**Europe Headquarters**  
Ligman Europe s.r.o.  
VGP Park Usti nad Labem, P 2  
Prestanov 113  
403 17 Prestanov  
Czech Republic  
Tel. +420 608 740 504 | sales.cz@ligman.com

**Thailand Headquarters**  
Ligman Lighting Co., Ltd.  
17/2 Moo 4, Monthong, Bangnampreaw  
Chachoengsao 24150 Thailand  
Tel : +66 (2) 7339140  
info@ligman.com

**Ligman SAS France**  
7 rue Antoine Becquerel  
Centre d'activités Trisais  
31140, Launaguet  
Tel: +33 5 61 70 24 62  
sales.fr@ligman.com

