

## Installation Instructions

### ! IMPORTANT

IP66 IK10   

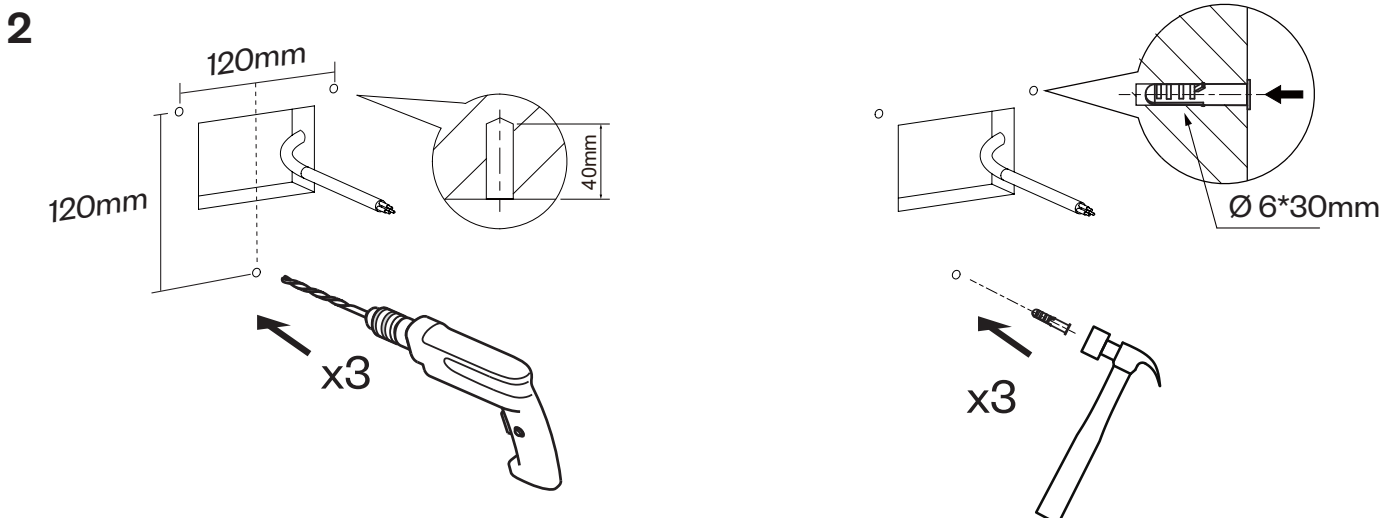
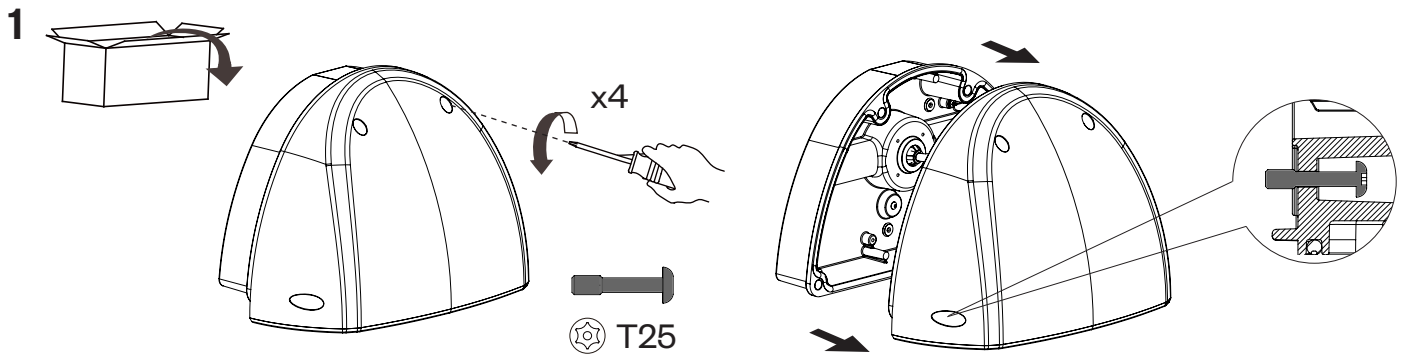
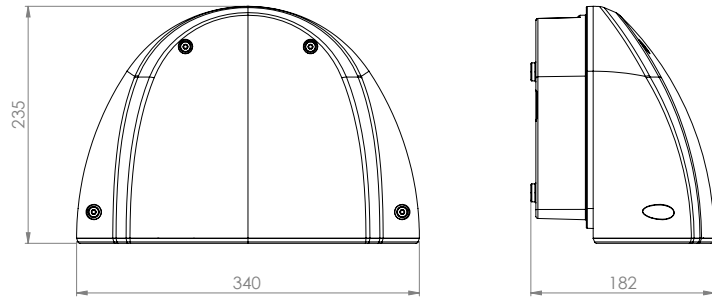
230VAC 50Hz

- DISCONNECT ELECTRICAL SUPPLY BEFORE INSTALLATION OR SERVICING.
- THIS PRODUCT MUST BE EARTHED.
- THIS PRODUCT IS DESIGNED TO OPERATE OUTDOORS. IF REQUIRED TO BE USED INDOORS PLEASE CONSULT DW WINDSOR.
- THE LIGHT SOURCE FITTED IN THIS LUMINAIRE SHALL ONLY BE REPLACED BY DW WINDSOR
- DO NOT LOOK DIRECTLY AT LED LIGHT SOURCE (NON-OPAL VERSION)
- THE LUMINAIRE SHOULD BE POSITIONED SO THAT PROLONGED STARING INTO THE LUMINAIRE AT DISTANCE CLOSER THAN XM IS PREVENTED

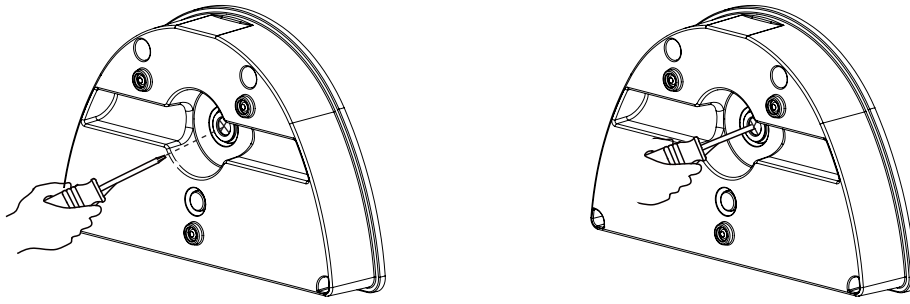
### Product Details

	Max. Weight (kg)
Kirium Wall	3.6
Kirium Wall with Emergency	4.4

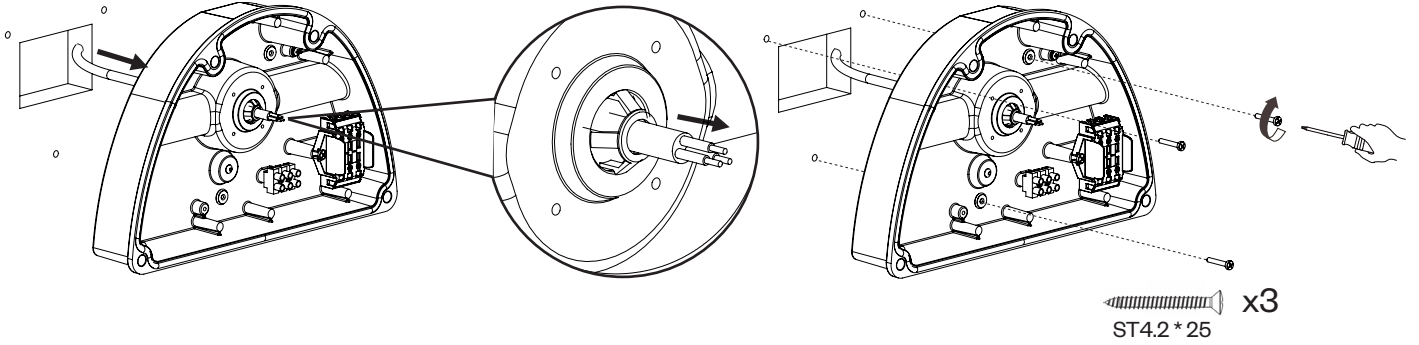
	Power Ranges (Watts)
16 LED	12 - 37W



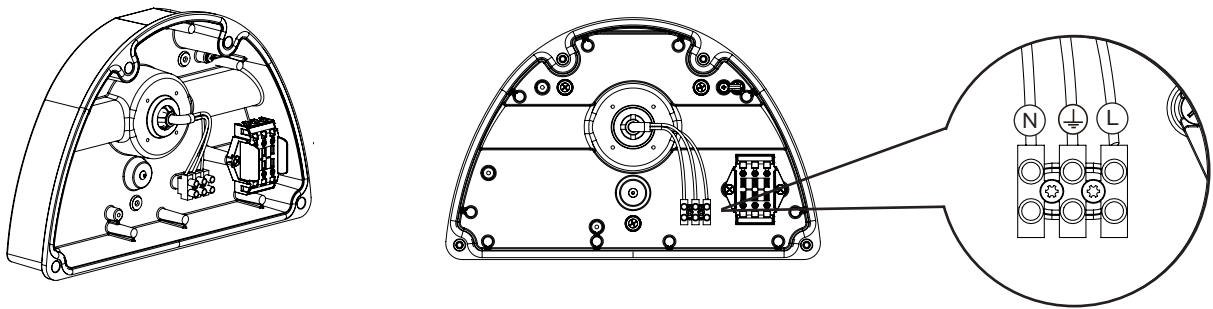
3



4



5



6

