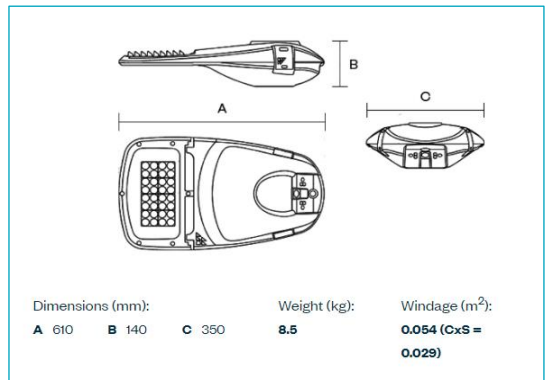


Product Name	Kirium Pro 1
Mounting Options	Side Entry: Ø34mm - Ø42mm / Ø60mm Direct Post: Ø60mm / Ø60mm - Ø76mm
Tilt / Inclination	-15° to +15° (5° increments)
Output	up to 12,284lm
Light Source	LED
Colour Temp	2700K / 3000K / 3500K / 4000K
CRI	70 / 80
Distribution	Diamond+ optic system
Number of LEDs	8 / 16 / 24 / 32
Power	6-89 W
Luminaire Efficacy (max)	up to 174lm/W
Electrical Class	Class I (II on request)
Operating Voltage	220-240V
Driver	DALI (fully programmable with Constant Light Output enabled)
Drive Current Range	200 to 1000mA
Lifetime	100,000 hours (L90)
Operating Temperature	-45°C to +50°C
IP Rating	IP66
IK Rating	IK10
Colour Finish	Mid grey RAL 7046 / Light Grey RAL 7035 / Black RAL 9005 / Other RAL colours on request
Housing Material	High pressure die-cast LM6 aluminium
Finish	Polyester powder coat
Glazing Material	Toughened glass / Polycarbonate for IK10
Weight	8.5kg
Certifications	CE, ENEC
Control Systems	Photocell / Part-night switching / Pre-programmed dimming / NEMA / Zhaga / Integral CMS / Sensor ready



Additional Information