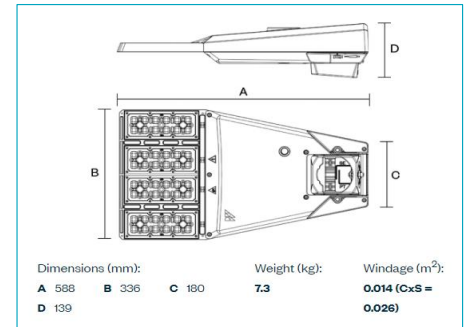


Product Name	Kirium Eco Ultra
Mounting Options	Post Top Ø60-76mm / Side Entry Ø34-60mm (interchangeable via adaptable mounting block)
Tilt / Inclination	Post top: -5° to +15° (5° increments) Side entry: -15° to +10° (5° increments)
Output	up to 22,500lm
Light Source	LED
Colour Temp	2200K / 2700K / 3000K / 4000K
CRI	>70 (>80 on request)
Distribution	Narrow Road, Medium Road, Wide Road, Traffic Route, Area (Symmetric / Asymmetric), Pedestrian Crossing
Number of LEDs	48
Power	36 to 163W
Luminaire Efficacy (max)	185lm/W
Electrical Class	Class I / Class II
Operating Voltage	220-240V
Driver	DALI (fully programmable with Constant Light Output enabled)
Drive Current Range	250 to 1050mA
Lifetime	100,000 hours (L90)
Operating Temperature	-20°C to +25°C (please contact us for lifetime information at
IP Rating	IP66
IK Rating	IK08
Colour Finish	Mid grey RAL 7046 / Light Grey RAL 7035 / Black RAL 9005 (other RAL colours on request)
Housing Material	High pressure die-cast LM6 aluminium
Finish	Polyester powder coat
Glazing Material	PMMA (polycarbonate on request)
Weight	7.3kg
Certifications	CE
Control Systems	Minature Photocell / NEMA photocell / Part night switching / Pre-programmed dimming / Integral CMS / 3, 5 or 7 pin NEMA socket / 4 pin Zhaga Book 18 socket)



Additional Information