

# Installation Instructions


**IMPORTANT**

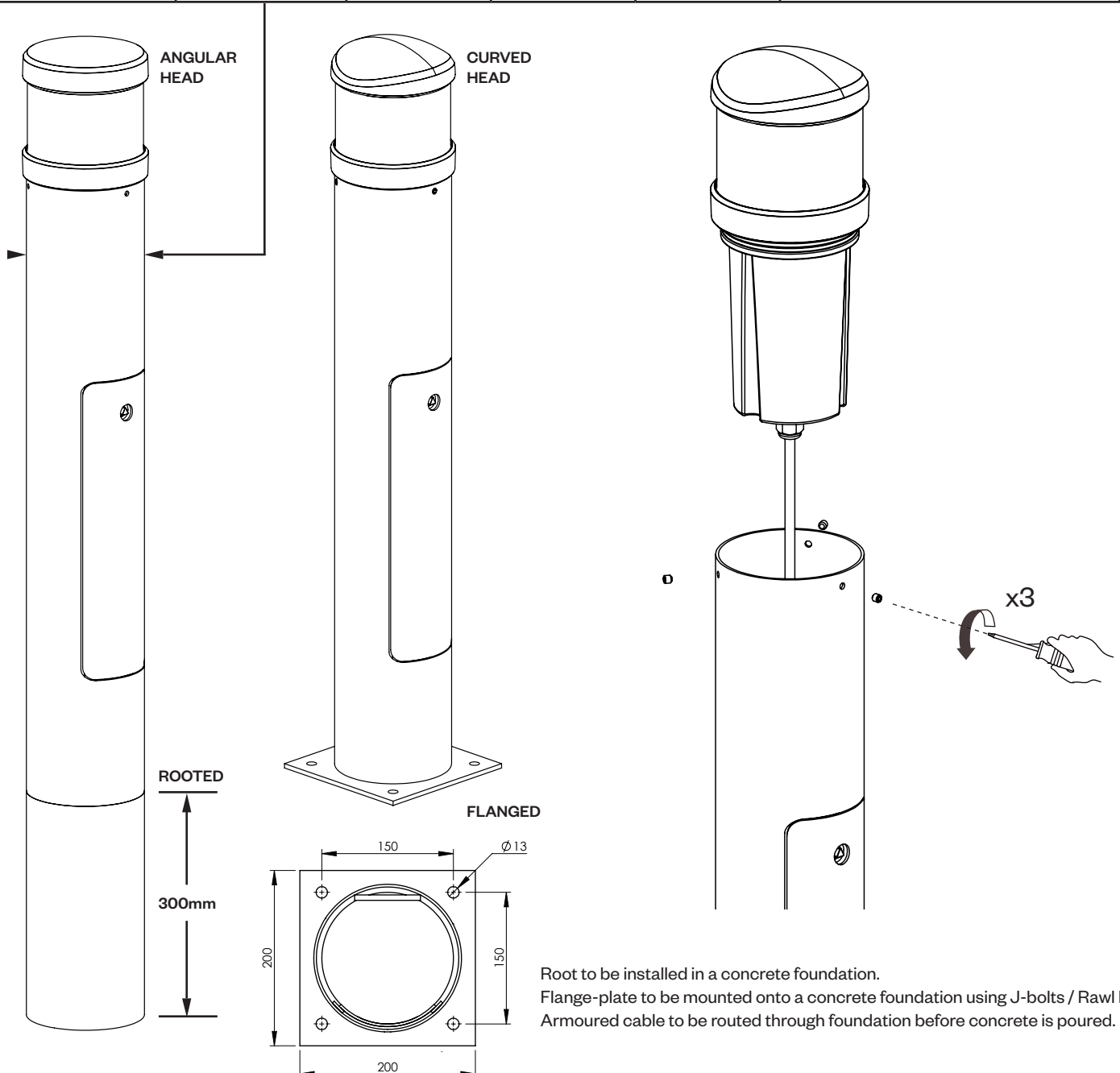
- DISCONNECT ELECTRICAL SUPPLY BEFORE INSTALLATION OR SERVICING.
- THIS PRODUCT MUST BE EARTHED.
- THIS PRODUCT IS DESIGNED TO OPERATE OUTDOORS. IF REQUIRED TO BE USED INDOORS PLEASE CONSULT DW WINDSOR.
- THE LIGHT SOURCE FITTED IN THIS LUMINAIRE SHALL ONLY BE REPLACED BY DW WINDSOR
- DO NOT LOOK DIRECTLY AT LED LIGHT SOURCE

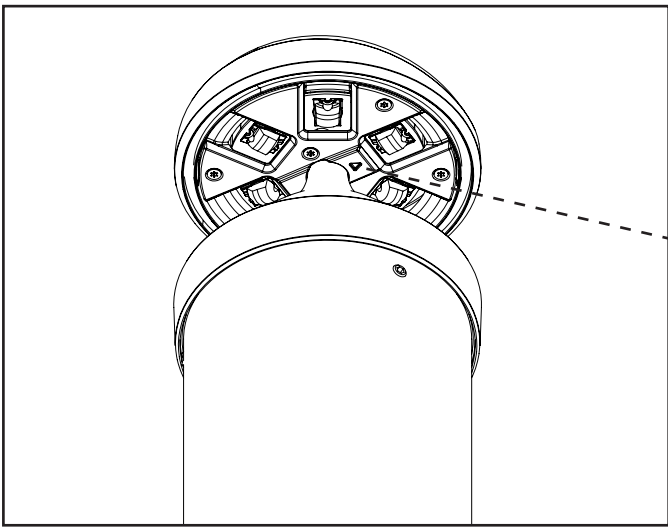
**IP66 IK10**



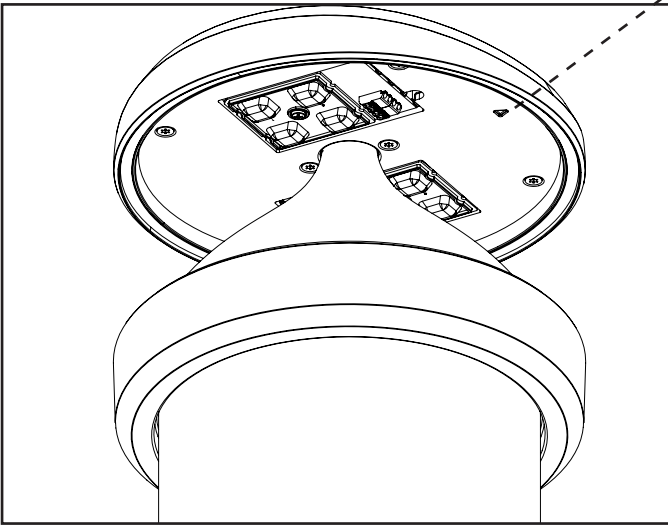
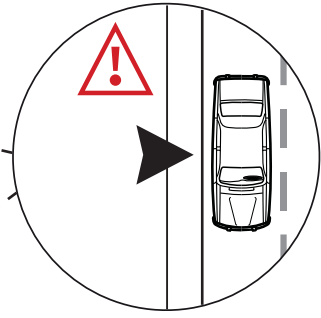
**230VAC 50Hz**
**Product Details**

	Column Diameter	Head Weight	Rooted Version	Flange Version	Power Ranges (Watts)
Kirium Bollard 160	152.4mm	2.6kg	23.6kg	19.6kg	3 - 8W (asymmetrical), 5 - 15W (symmetrical)
Kirium Bollard 200	168.3mm	3.5kg	24.5kg	20.5kg	9 - 20W

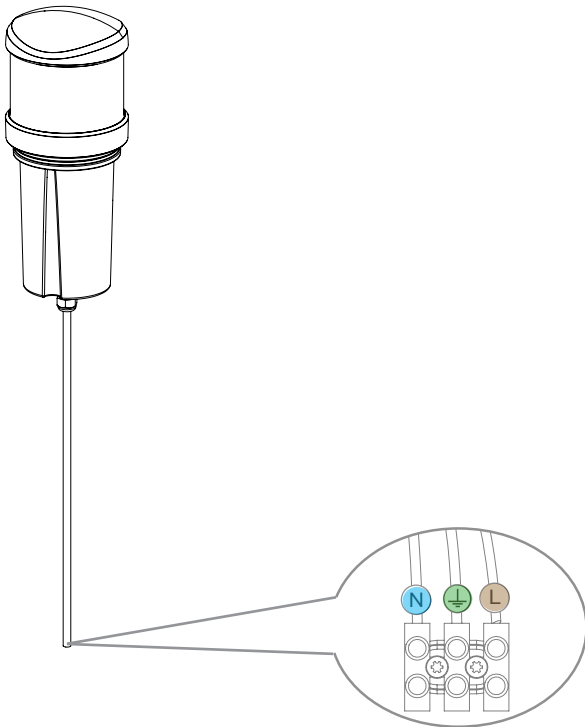
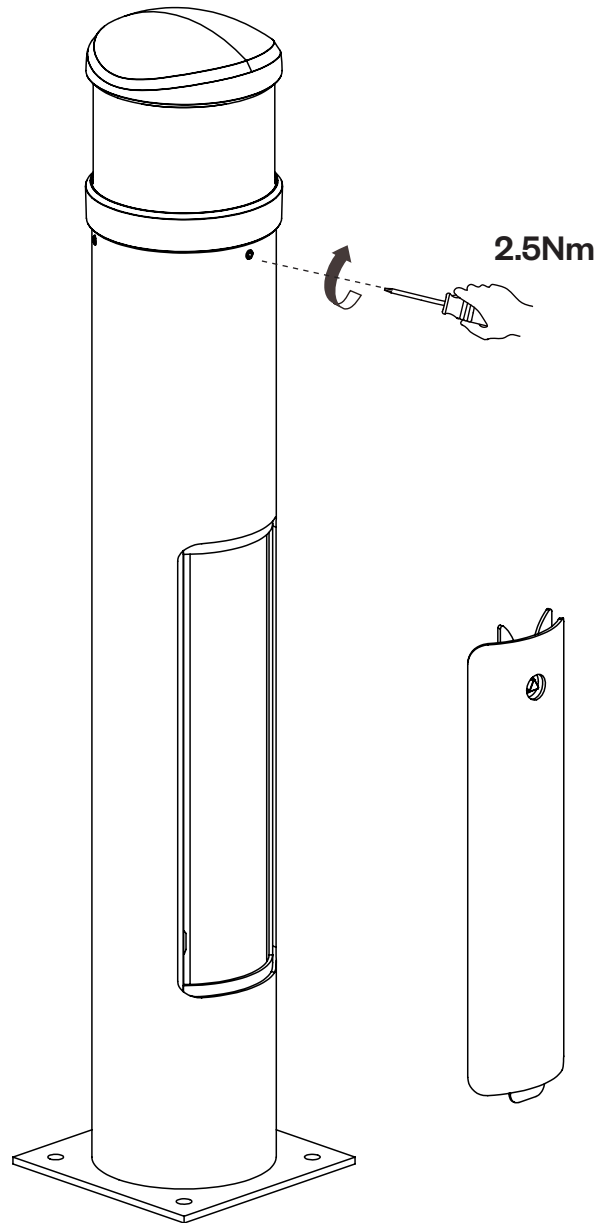




**Kirium bollard 160**



**Kirium bollard 200**



# GRP Kirium 200 Bollard Installation Instructions

