

Installation Instructions


IMPORTANT

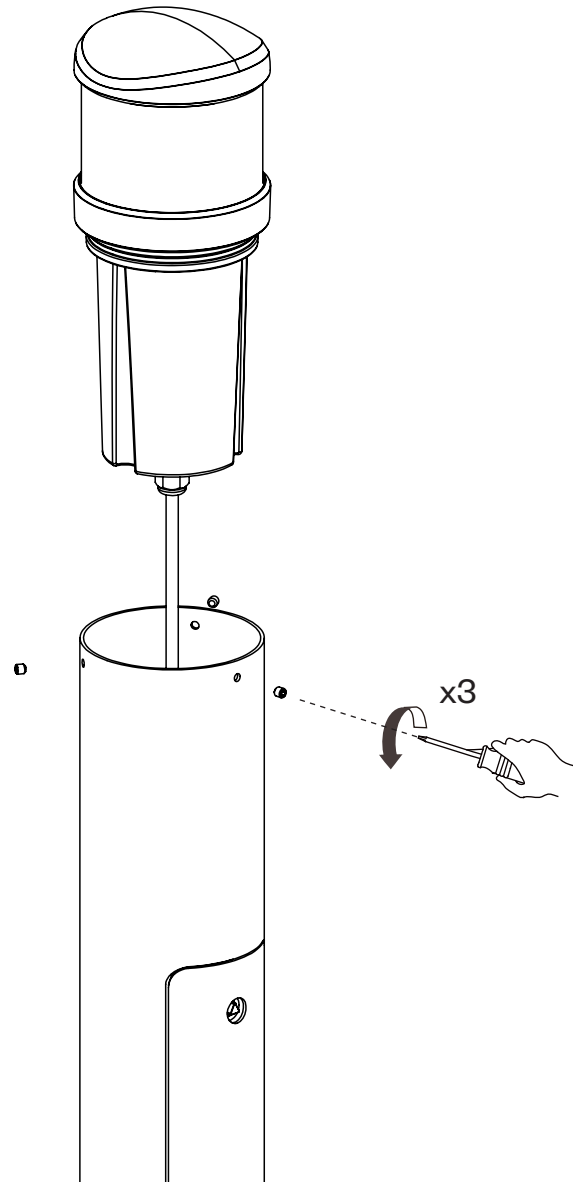
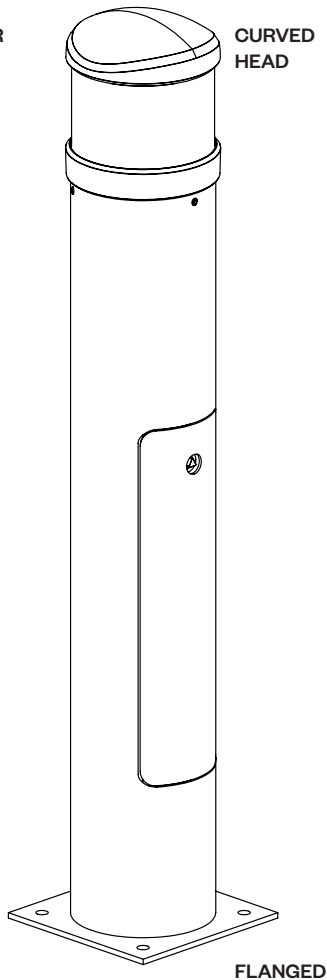
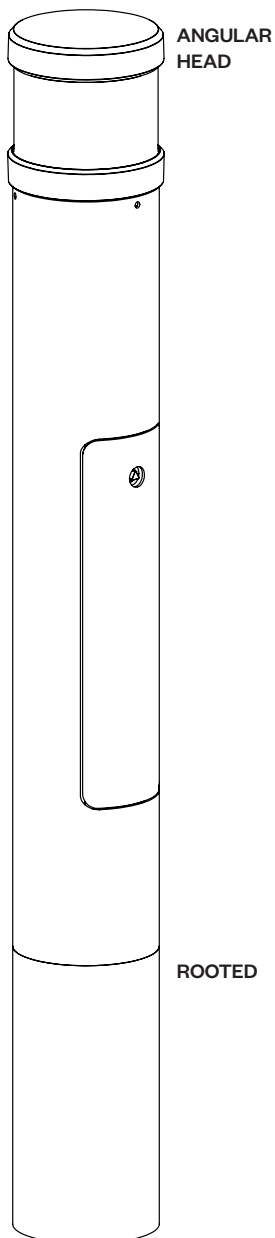
- DISCONNECT ELECTRICAL SUPPLY BEFORE INSTALLATION OR SERVICING.
- THIS PRODUCT MUST BE EARTHED.
- THIS PRODUCT IS DESIGNED TO OPERATE OUTDOORS. IF REQUIRED TO BE USED INDOORS PLEASE CONSULT DW WINDSOR.
- THE LIGHT SOURCE FITTED IN THIS LUMINAIRE SHALL ONLY BE REPLACED BY DW WINDSOR
- DO NOT LOOK DIRECTLY AT LED LIGHT SOURCE

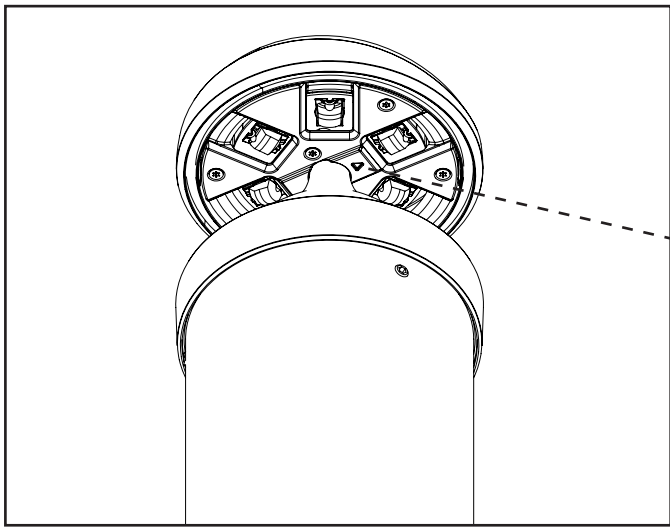
IP66 IK10

230VAC 50Hz
Product Details

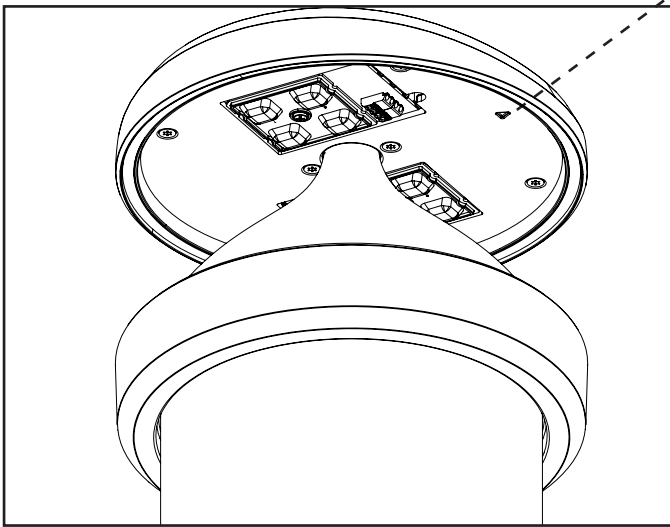
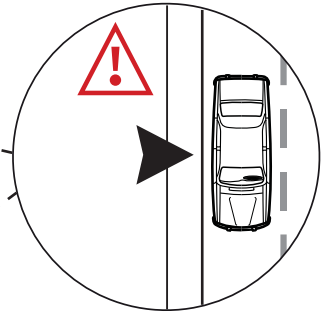
	Max. Weight (kg)
Kirium bollard 160 head	2.6
Kirium bollard 200 head	3.5

	Power Ranges (Watts)
Kirium bollard 160	3 - 8W (asymmetrical), 5 - 15W (symmetrical)
Kirium bollard 200	9 - 20W





Kirium bollard 160



Kirium bollard 200

