

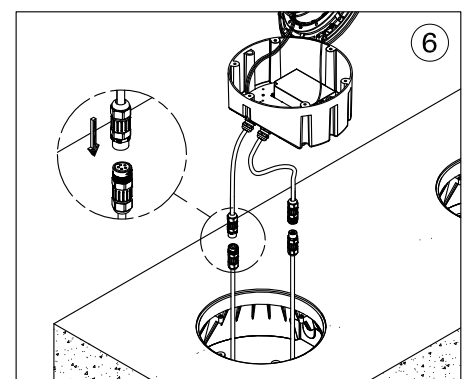
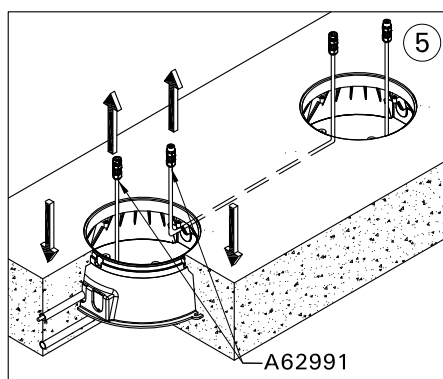
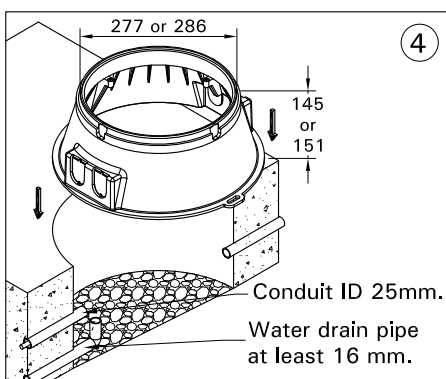
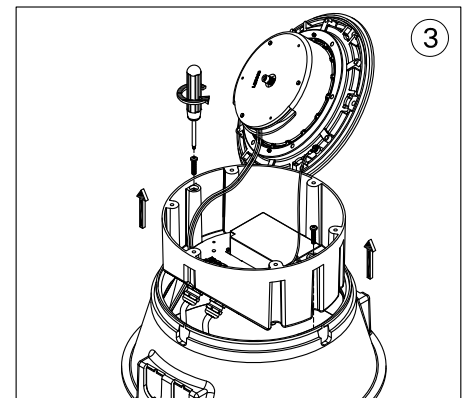
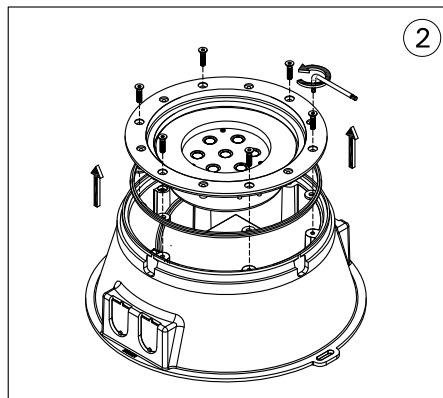
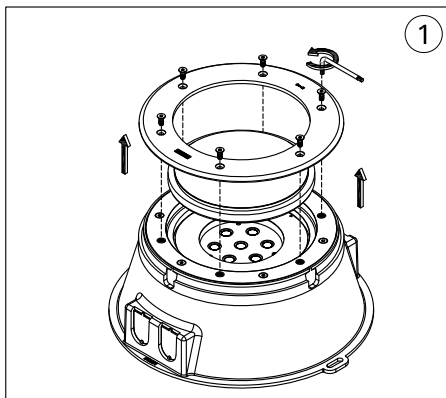
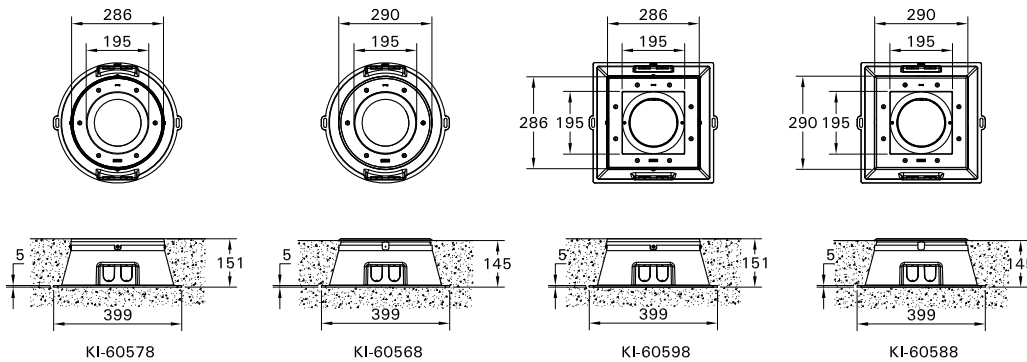
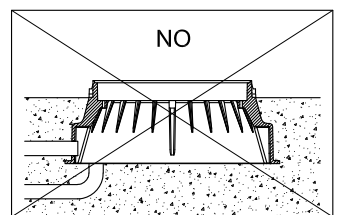
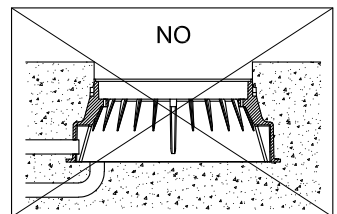
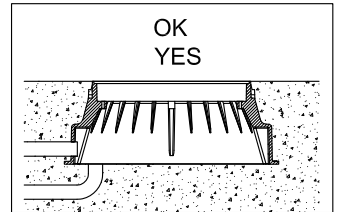
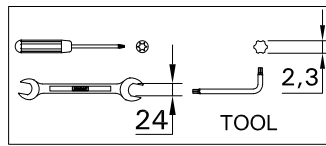
For Installation of Kios Inground uplight RGBW. Model. KI-60568, KI-60578, KI-60588 and KI-60598

Product drawing (dimensions)

CE IP67 IK10 CLASS I

Drive over 2,000kg. at max. 50km/h.

Ta 25°C Glass surface temp = 46.0°C



- LIGMAN standard products are supplied with the control gear 220-240V 50/60Hz. The control gear for other voltages and frequencies is available upon request, please consult us for more details.
- LIGMAN luminaires are designed to conform IEC 60598 2-13 standard.

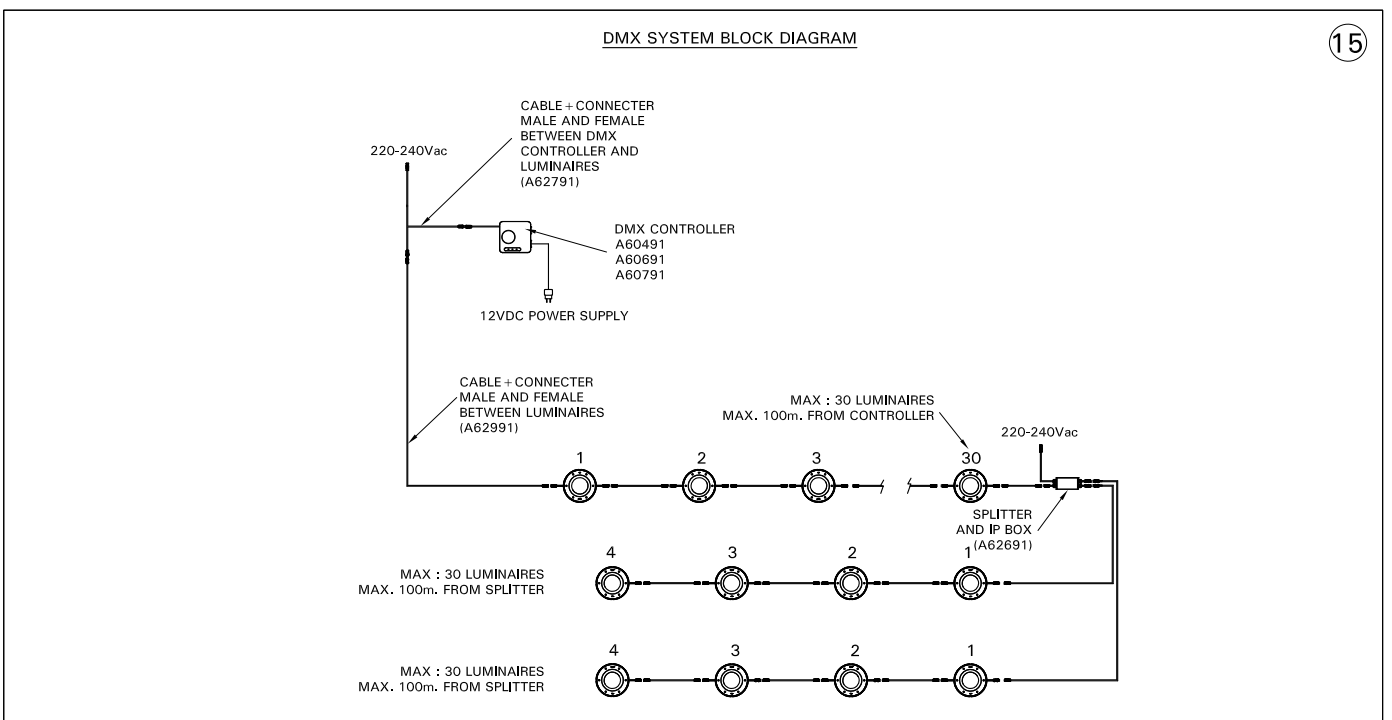
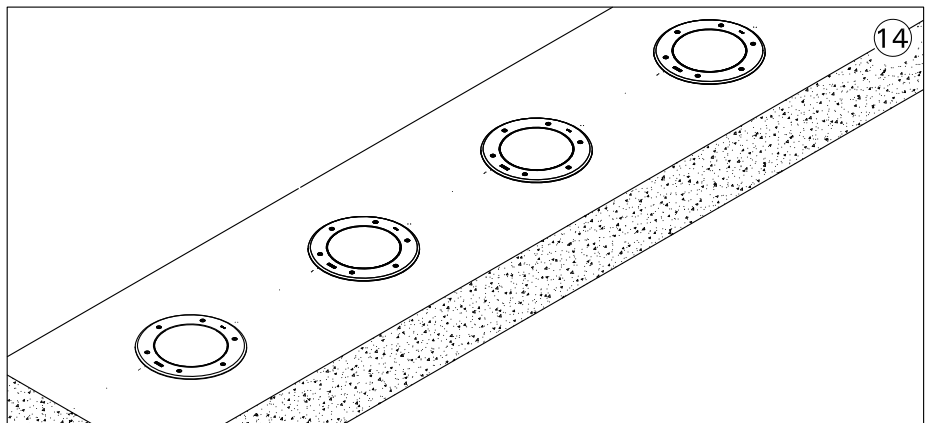
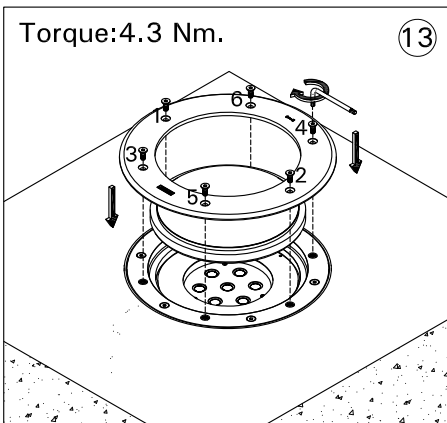
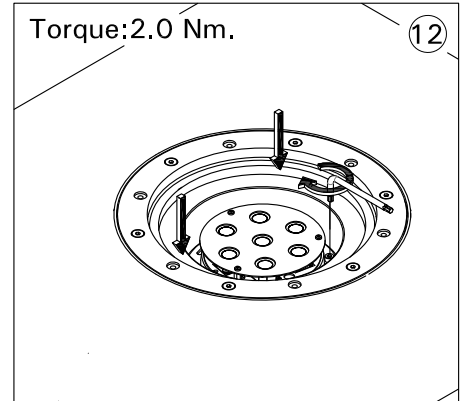
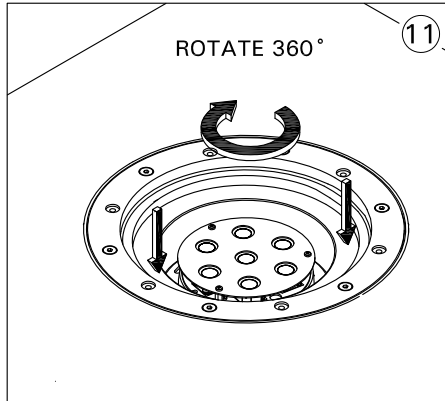
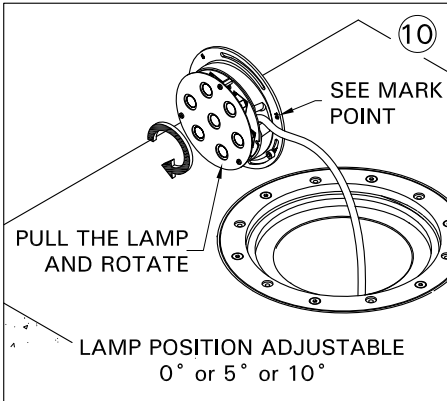
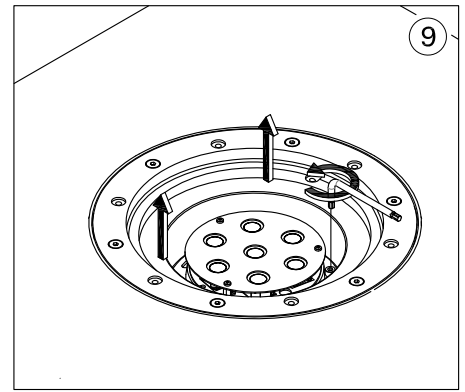
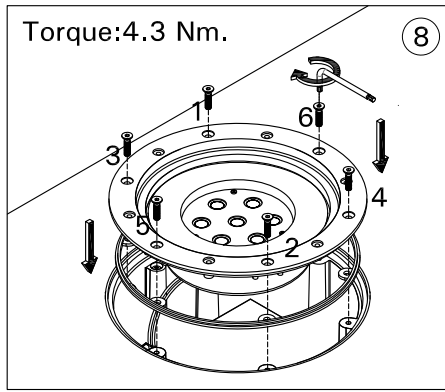
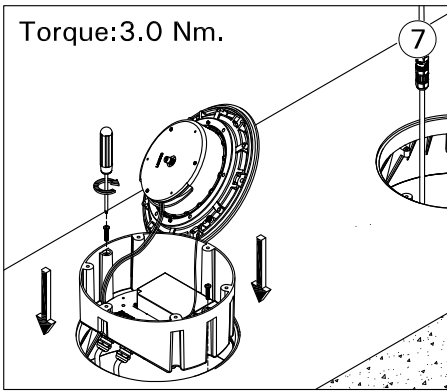
Technical amendments and modifications techniques reserved.

Ligman Lighting

Europe Headquarters
 Ligman Europe s.r.o.
 VGP Park Usti nad Labem, P 2
 Prestanov 113
 403 17 Prestanov
 Czech Republic
 Tel. +420 608 740 504 | sales.cz@ligman.com

Thailand Headquarters
 Ligman Lighting Co., Ltd.
 17/2 Moo 4, Monthong, Bangnampreaw
 Chachoengsao 24150 Thailand
 Tel : +66 (2) 7339140
 info@ligman.com

Ligman SAS France
 7 rue Antoine Becquerel
 Centre d'activités Triasis
 31140, Launaguet
 Tel: +33 5 61 70 24 62
 sales.fr@ligman.com



Note : Brush finish stainless steel products requirement to wipe the product periodically with a light oil (WD40 or equivalent) to remove any staining.