

Installation Instructions

IMPORTANT

- DISCONNECT ELECTRICAL SUPPLY BEFORE INSTALLATION OR SERVICING.
- THIS PRODUCT MUST BE EARTHED.
- THIS PRODUCT IS DESIGNED TO OPERATE OUTDOORS. IF REQUIRED TO BE USED INDOORS PLEASE CONSULT DW WINDSOR.

IP65 IK08 CE

230VAC 50Hz

Product Details

The Strand & Ely ranges are supplied complete in a single carton.

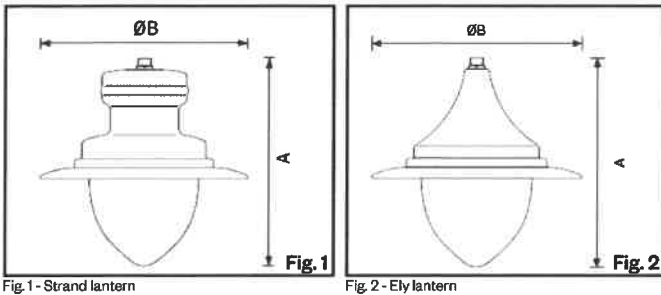


Fig. 1 - Strand lantern Fig. 2 - Ely lantern

	Dimensions (mm)			Max. Weight (kg)	Max. Mounting Height (m)	Windage m ²
	A	ØB	ØB*			
Strand / Ely A+	870	900	N/A	18.0	8	0.35
Strand / Ely A	643	670	527	11.5	8	0.19
Strand / Ely B	576	585	484	8.5	8	0.15
Strand / Ely C	498	480	396	6.6	8	0.11

*Narrow Brim

Optics	Light Engine**						
	4 LEDs	8 LEDs	16 LEDs	24 LEDs	32 LEDs	48 LEDs	64 LEDs
A1	1m	1.4m	2.0m	2.4m	2.7m	3.4m	3.9m
A2	0.9m	1.2m	1.7m	2.1m	2.4m	3.0m	3.4m
B1	1.2m	1.8m	2.5m	3.0m	3.4m	4.2m	4.8m
B2	1.1m	1.5m	2.2m	2.6m	3.0m	3.7m	4.2m
C2	1.0m	1.4m	2.0m	2.4m	2.7m	3.4m	3.8m

Fig. 3 - Table showing the hazard distances (in metres) for different luminaires and optics within the Windsor Street.

**Distances correspond to the illuminance threshold of 1240 lux in which the product's risk group assessment changes from RG2 to RG1

Tools Required

Tools not supplied.

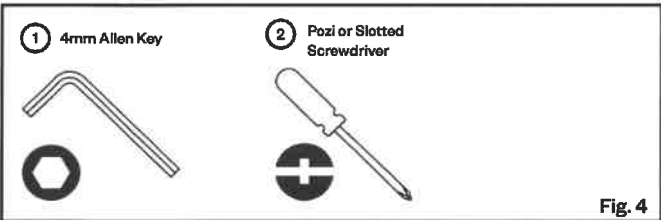


Fig. 4 - Tools required for Strand / Ely Easy-Fit installation. Not supplied.

Recommended Torque

	Easy-Fit Grubscrew Torque (Nm)
Strand / Ely	30

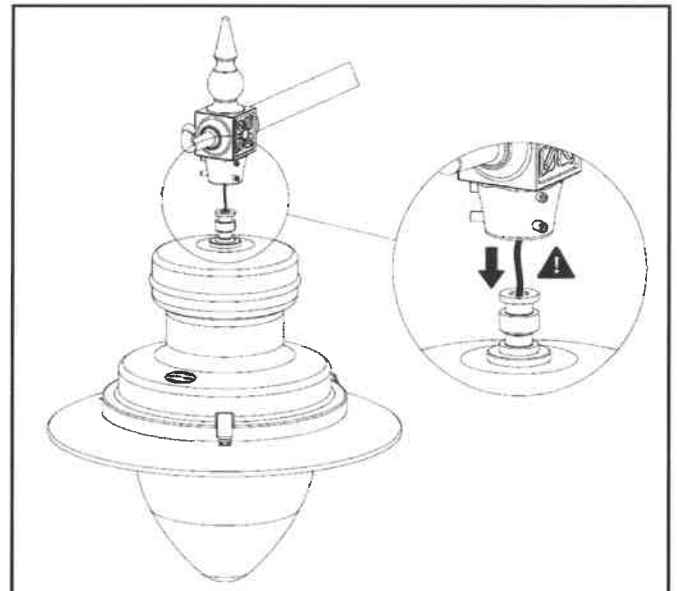
NOTE!

- Luminaire to be positioned so that prolonged staring into the luminaire at short distances is not expected.
- Do not stare at operating light source.
- Personnel to wear Protective Safety Glasses compliant with EN166 1F/ EN169 - 6 when commissioning or maintaining this luminaire.

Attachment to Bracket (Easy-Fit Spigot)

Step 1

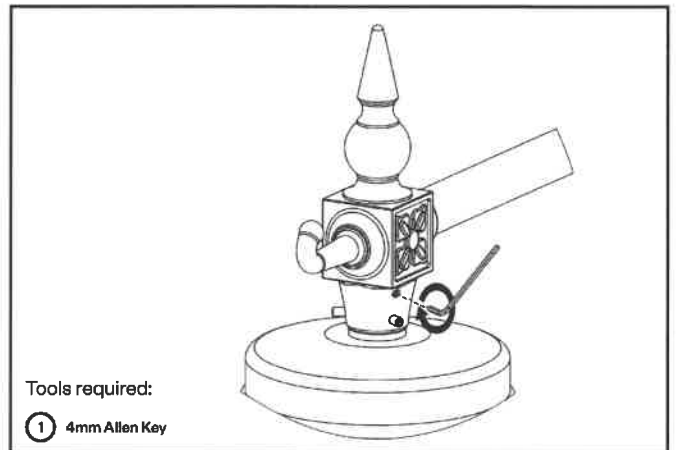
Unpack the lantern. Feed the electrical supply cable through the bracket and through the centre hole on the spigot and into the lantern.



⚠ Take care not to trap cable between lantern and bracket.

Step 2

Push the spigot into the bracket and tighten the top two set screws to hold the lantern.



Tools required:

- ① 4mm Allen Key

Due to continuous product development the details within this document are subject to change at any time, please contact us for the most up-to-date information or visit: www.dwwindsor.com

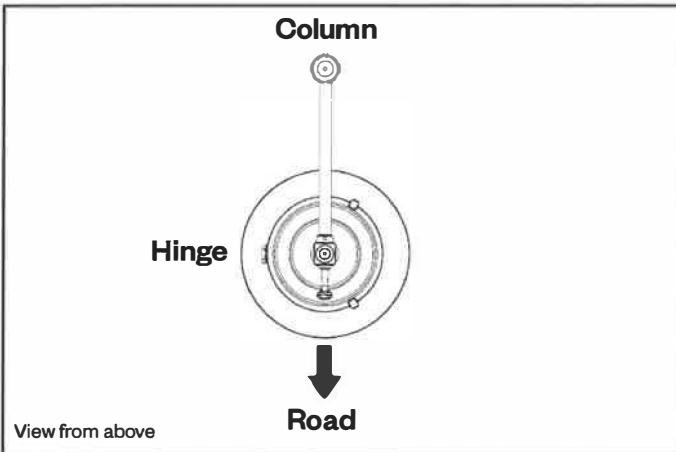
DW Windsor

Pindar Road, Hoddesdon, Hertfordshire, EN11 ODX
T: +44 (0) 1992 474600 | E: info@dwwindsor.com
dwwindsor.com

Strand / Ely Installation Steps (Continued)

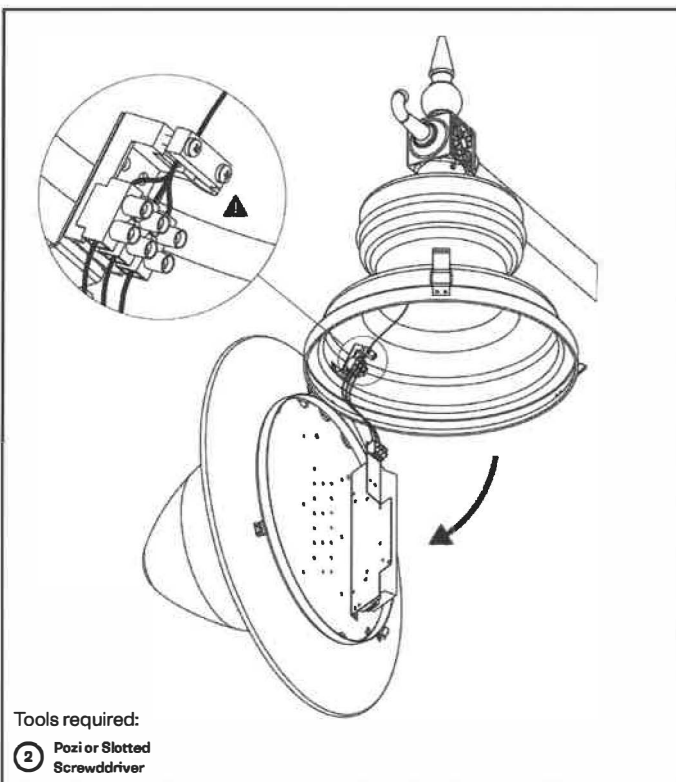
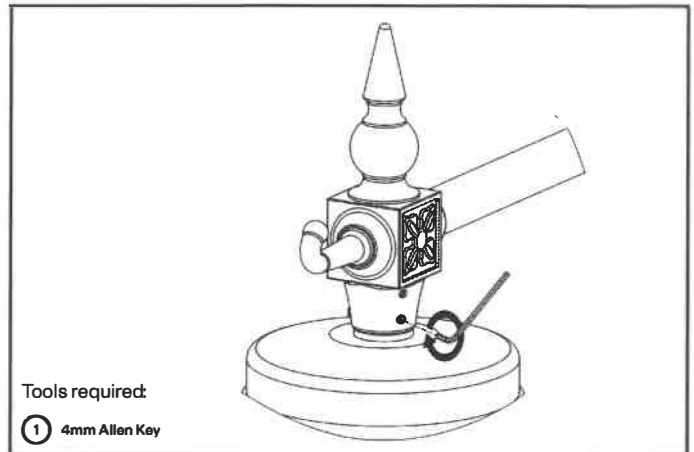
Step 3

Adjust the position of the lantern in reference to the road side label.



Step 4

Tighten upper and lower grub screws fully to a torque of 30Nm.



Lamping, Relamping, and Maintenance Access

Unclip the latches, pull the top of the latches away from the lantern, and carefully hinge the brim down. **▲ Caution:** The brim is heavy if control gear is fitted.

Connect the electrical supply cable to the terminal block inside the housing

Important Wiring Code
L = Live, N = Neutral, E = Earth
This lantern must be earthed.

Ensure the cable is clamped using the integral strain relief cable clamp.

For lamped lanterns, ensure correct lamp is used (refer to the information on the control gear ballast if in doubt). Loosen the screws on the lampholder bracket and lift clear. Fit the lamp into the lampholder. For ES and GES lamps, ensure they are firmly screwed home. The lampholders are fitted with an anti-vibration device. Refit lampholder.

Hinge up the brim complete with glazing bowl and refit the latches.

▲ See wiring code (right)

NOTE!

LEDs contained within this luminaire shall only be replaced by the manufacturer, their service agent or similar qualified person.

The Live Supply is insulated (basic) from the DALI conductor.



DW Windsor

Pindar Road, Hoddesdon, Hertfordshire, EN11 0DX

T: +44 (0) 1992 474600 | E: info@dw Windsor.com

dw Windsor.com