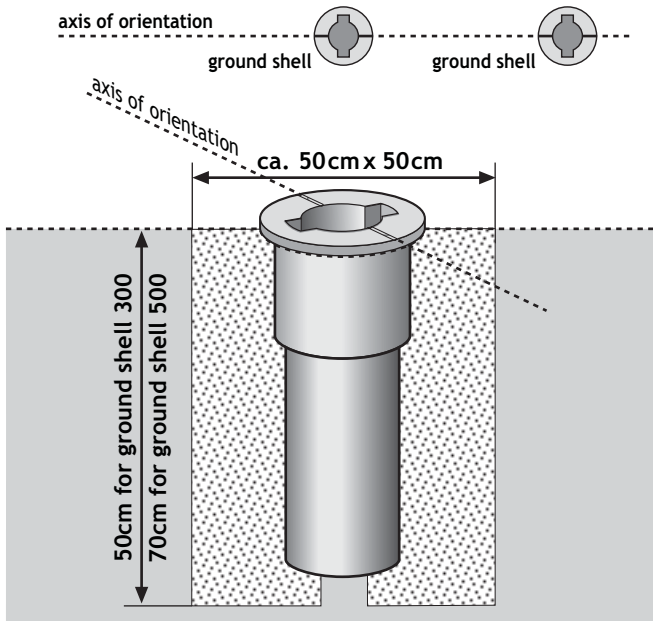


GROUND SHELL 300/500

Assembly instructions for bollards and other products with 3p-Technology

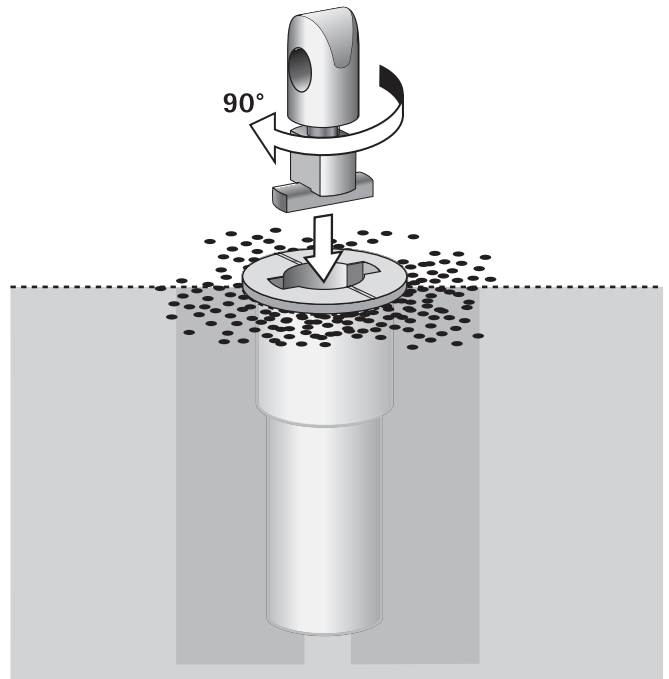
1. Setting the ground shell in concrete

- Dig a square hole for the base
! Size depends on soil quality!
- Make provisions for a water drain in the base
- Lay the ground shell flush with the ground
- Position the ground shell horizontally
- Align the notches in the surface of the ground shells



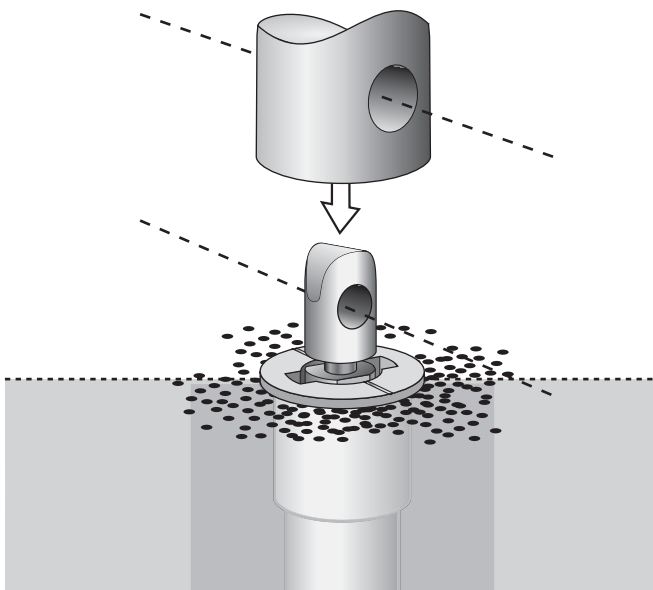
2. Inserting the junction piece

- Insert the junction piece into the ground shell
- Rotate the junction piece in the groove by 90° (no block)



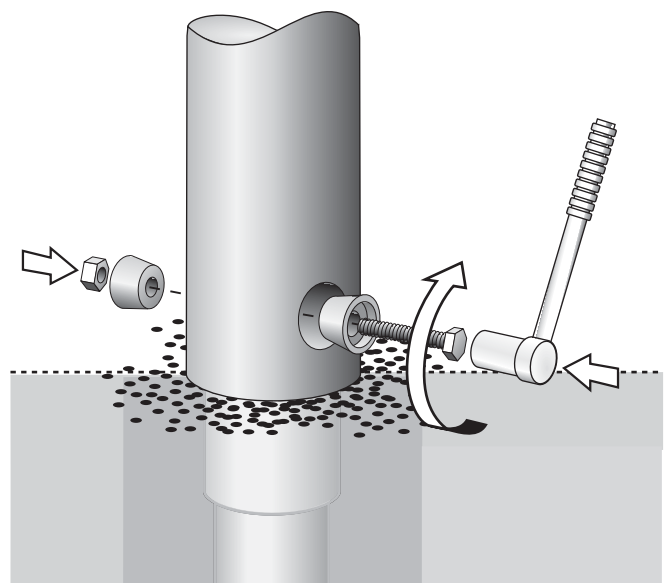
3. Assembling the bollard

- Place the bollard on the junction piece
- Align the holes in the bollard and junction piece with one another



4. Fastening the bollard

- Insert the clamping bolt provided (triangular or 6-sided key with lock nut)
- Screw bollard tightly

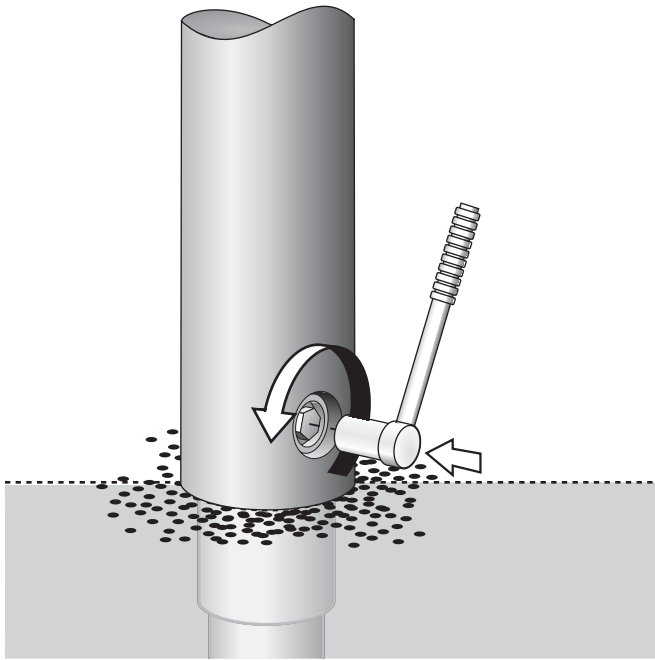


PUBLIC FURNITURE WITH 3p-TECHNOLOGIE

Dismantling bollards without separating the individual parts

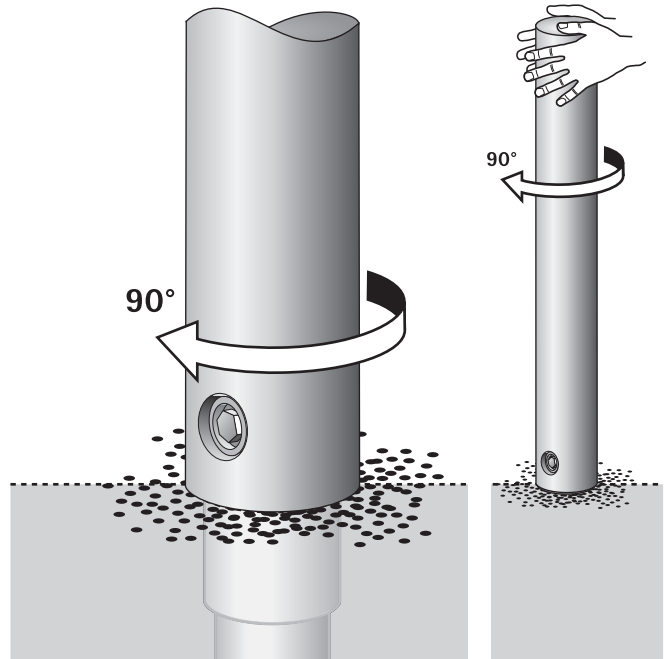
1. Loosen clamping bolt

- Only loosen the screw in the clamping bolt until the clamping cone becomes loose
- If necessary, move the bollard around a bit so that firmly fixed parts can be loosened



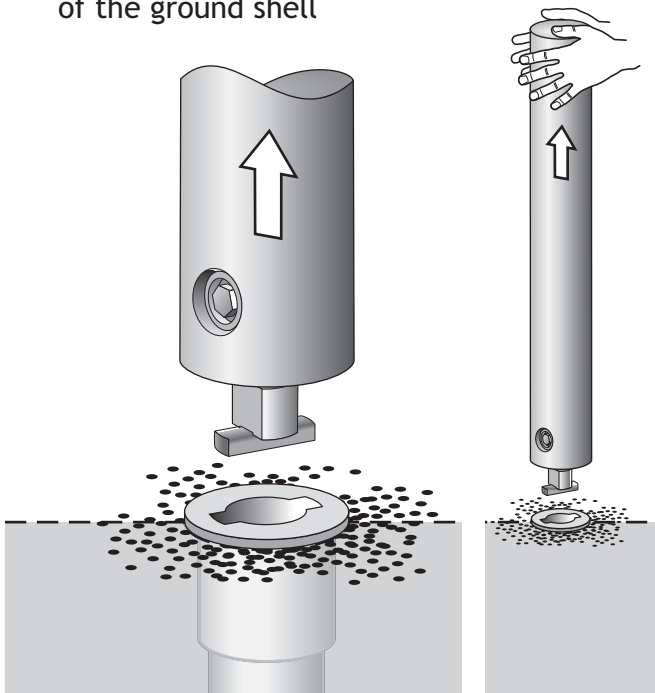
2. Rotate bollard with junction piece

- Rotate the bollard 90° and pull slightly upwards until it gives noticeably more



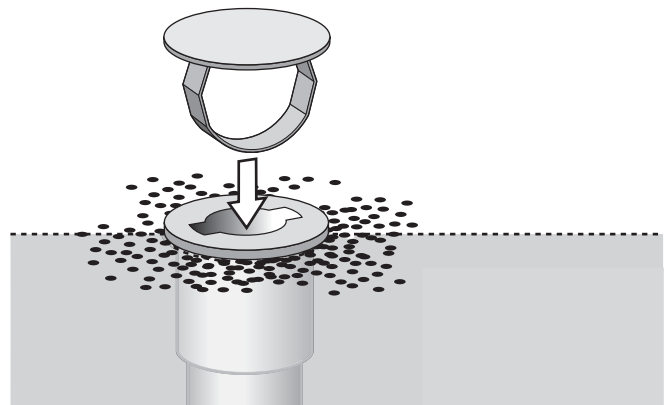
3. Remove bollard with junction piece

- Lift the bollard and junction piece out of the ground shell



4. Reassemble base cover or bollard

- Insert the base cover into the ground shell's groove and press down
- Or reassemble the bollard with junction piece in reverse order

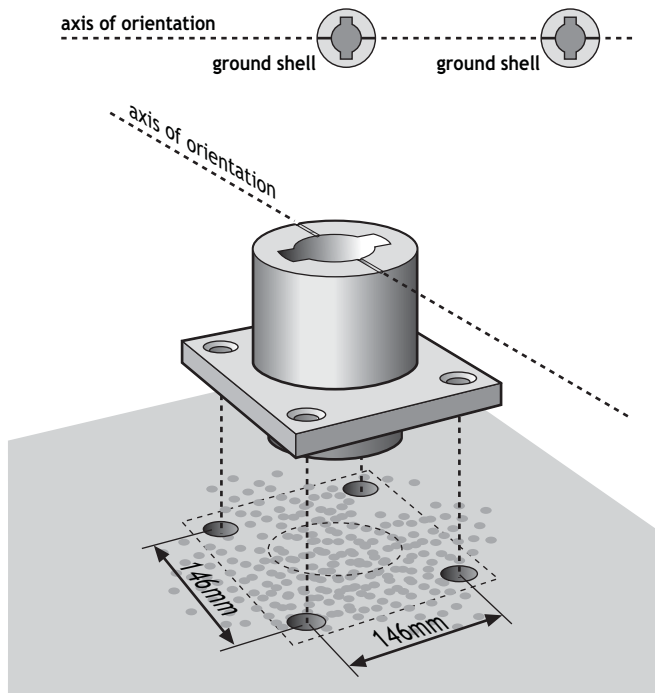


GROUND SHELL 100

Assembly instructions for bollards and other products with 3p-Technology

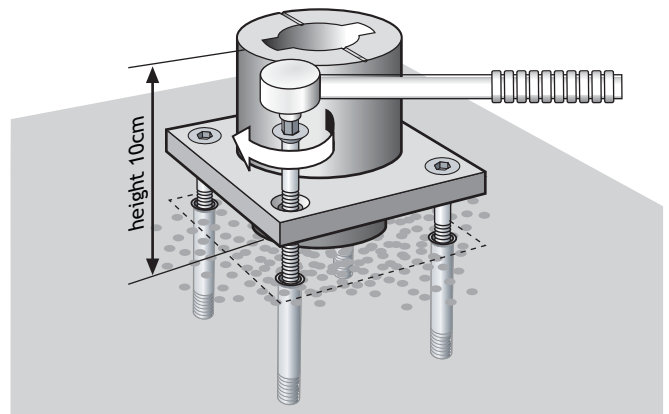
1. Creating the subsurface

- Create a suitable, even subsurface
- Drill 4 holes for stud bolts ($\geq M10$) (bolt depth $\geq 70\text{mm}$)
- Align the notches in the surface of the ground shells



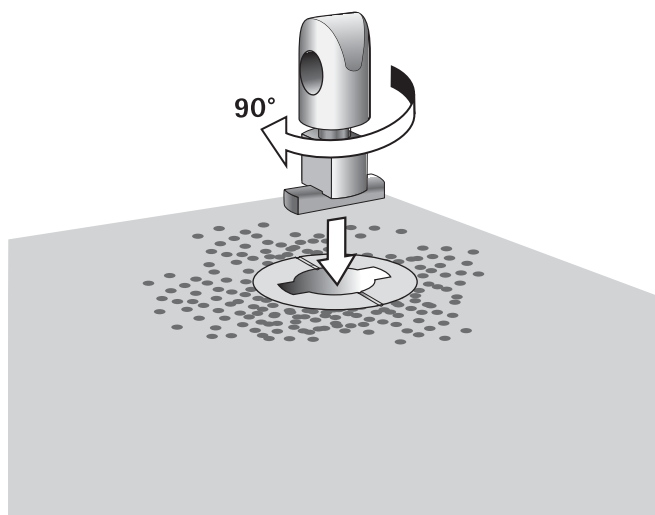
2. Assembling the ground shell

- Position the ground shell surface horizontally
- Screw the ground shell in tightly
- Ensure the upper edge of the ground shell is flush with the ground (e.g.: setting in concrete, plaster, bitumen)



3. Inserting the junction piece

- Insert the junction piece into the ground shell's groove
- Rotate the junction piece in the groove by 90° (no block)



4. Assembling and fastening the bollard

- Place the bollard on the junction piece
- Align the holes in the bollard and junction piece with one another
- Insert the clamping bolt provided (triangular or 6-sided key with lock nut)
- Screw bollard tightly

