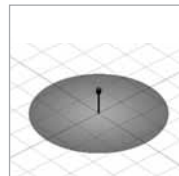




Dalby Square, Margate

- Clean, contemporary look
- Robust and corrosion resistant stainless steel and aluminium construction
- Simple wiring via a mains connection within the base of the product
- Underside of brim finished in white for maximum light reflection

Optical Control



Prague Product Codes

Prague		Example
1. Model		
PRA		PRA
2. Lamp		
070S	70w SON-E	070H
100S	100w SON-E	
070H	70w HQI-E	
100H	100w HQI-E	
042P	42w PL-T	
3. Colour		
26	RAL 9006 Aluminium*	26
4. Optic		
L	Louvre	L

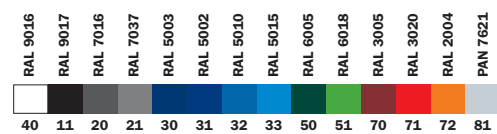
Open front cover flap for our guide to using this table. For non-standard codes, call us on 01992 474600.

Example Code:

1. PRA Prague
2. 070H 70w HQI-E
3. 26 Painted RAL 9006 Aluminium with Louvre optic
4. L

= PRA 070H 26 L

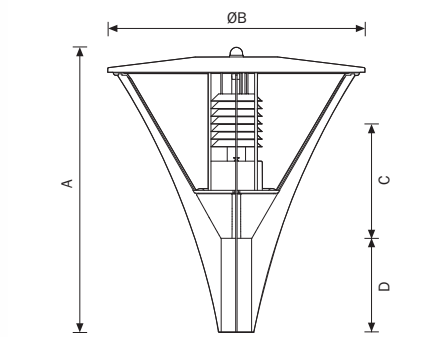
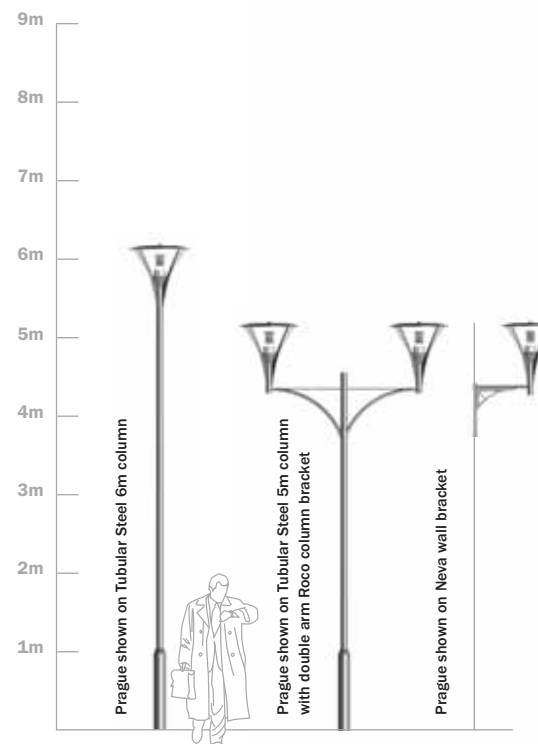
* For an alternative colour, replace 26 with the two digit number of the colour you require



This product is available in the colours listed on the opposite page, as well as any other colour from our full standard range, shown here, to special order. See inside cover flap for details.

Suggested column/bracket options

For full range of columns and brackets see page 162



Dimensions (mm)				Weight (kg)	Windage
A	B	C	D		
880	750	360	290	17.9	0.30m ²

Prague

IP65 IK09
CLASS I

modern

Options

Size:
Prague
For mounting at 4 - 6 metres
Maximum lamp wattage: 100w

Glazing:
Clear polycarbonate

Optical control:
Polished and anodised aluminium louvre system

Lamp:
70, 100w SON-E
70, 100w HQI-E
42w PL-T

Mounting:
76 mm Ø

Colour:
RAL 9006 Aluminium

Materials

Canopy/brim:
Aluminium

Base:
Stainless steel

Access:
Removable glazing

Seals:
Neoprene

Finish:
Polyester powder coated