



# Phoenix

City of Sunderland College & St. Peter's Sixth Form

modern

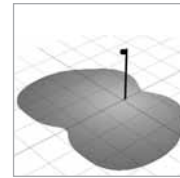


- High-performance indirect
- Single, double and wall mounted versions available
- Lighting head hinges down to change the lamp and snaps back into the correct location when hinged up



Optional LED detail

### Optical Control



### Phoenix Product Codes

Phoenix 1 Column mounted	Phoenix 2 Column mounted	Phoenix 1 or 2 Wall mounted	Phoenix	Example
<b>1. Model</b>				
PH1	PH2	PH		PH1
		1	Phoenix 1 (150w)	
		2	Phoenix 2 (250w)	
<b>2. Configuration</b>				
S	S		Single	D
D	D		Double	
		W	Wall	
<b>3. Finial</b>				
S	S		Spike	S
F	F		Flat	
		N	None	
<b>4. Column Height</b>				
050			5m	060
060			6m	
	080		8m	
		000	Wall	
<b>5. Mounting</b>				
R	R		Root	R
F	F		Flange	
		0	Wall	
<b>6. Colour</b>				
26	26	26	RAL 9006 Aluminium	26
<b>7. Photocell</b>				
C	C	C	Miniature PEC	N
E	E	E	Nema socket	
N	N	N	No	

Open front cover flap for our guide to using this table.  
For non-standard codes, call us on 01992 474600.

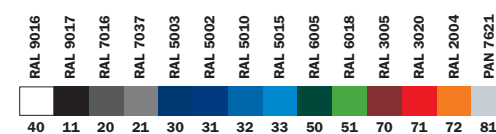
#### Example Code:

- 1. PH1** Phoenix 1
- 2. D** Double version
- 3. S** with Spike finial
- 4. 060** 6m column
- 5. R** with root
- 6. 26** Painted RAL 9006 Aluminium
- 7. N** without Photocell

= **PH1 D S 060 R 26 N**

\* For an alternative colour of column, reflector supports and finial, replace 26 with the two digit number of the colour you require.

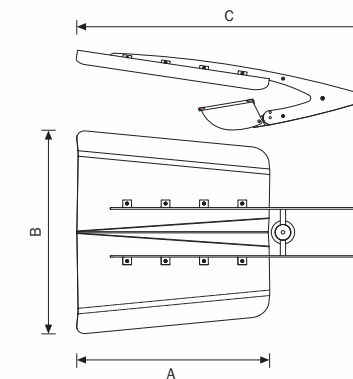
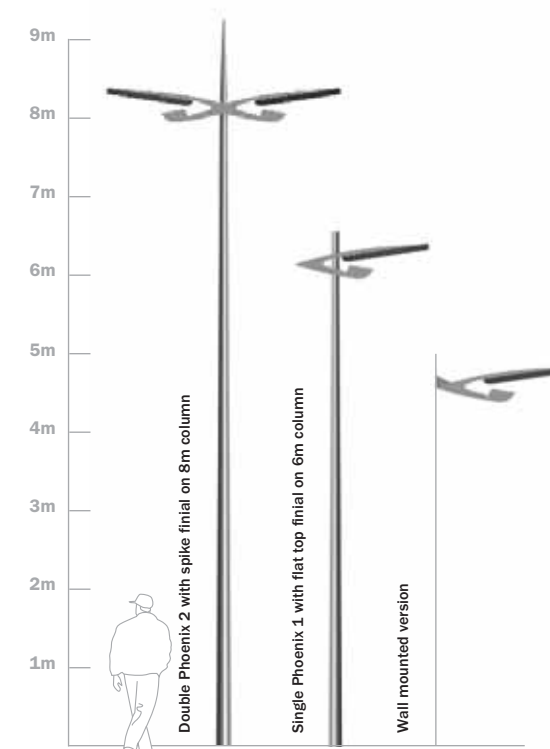
The luminaire is only available in RAL 9006.



This product is available in the colours listed on the opposite page, as well as any other colour from our full standard range, shown here, to special order. See inside cover flap for details.

### Suggested column/bracket options

For full range of columns and brackets see page 162



Variant	Dimensions (mm)			Weight (kg)	Windage
	A	B	C		
Single	1100	1150	1700	53	0.60m <sup>2</sup>
Double	1100	1150	3000*	92	1.20m <sup>2</sup>
Wall mount	1100	1150	1700	50	0.60m <sup>2</sup>

\* Maximum span of double unit

# Phoenix

IP66 IK08  
CLASS I

modern

### Options

**Sizes:**  
**Phoenix 1**  
For mounting at 5 - 6 metres  
Maximum lamp wattage: 150w

**Phoenix 2**  
For mounting at 8 metres  
Maximum lamp wattage: 250w

**Glazing:**  
Flat toughened glass

**Optical control:**  
Diamond Optic® with diffused reflector

**Lamp:**  
150w HQI-T/CDM-T  
250w HQI-TS

**Colour:**  
RAL 9006 Aluminium  
with anodised reflector

Other RAL colours available on request

**Finial:**  
Spike finial (standard)  
Flat top finial

**Other:**  
Nema socket or miniature photocell  
Supplied with rooted conical columns  
Wall mounted version

### Materials

**Reflector:**  
Anodised aluminium

**Frame/Column:**  
Galvanised steel

**Access:**  
Light source hinges down, glazing retained by captive socket head screws

**Seals:**  
Silicone rubber

**Finish:**  
Polyester powder coated/two pack acrylic

dwwindsor.co.uk  
answers@dwwindsor.co.uk