



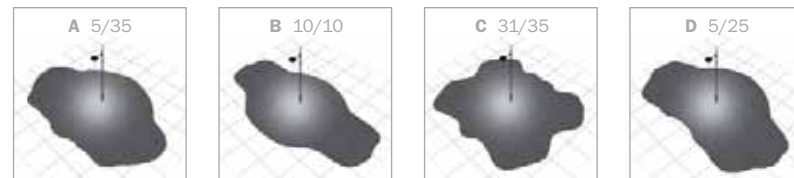
Westminster  
The Lanesborough Hotel, London

- Robust copper construction for enhanced corrosion resistance and longevity
- Ingress Protection – one piece glazing and silicone gasket ensure whole lantern sealed to IP65
- Frog has external connector block for ease of installation



Polished and lacquered option

### Diamond Optic®



Diamond Optic® reflector system reduces light pollution and allows increased column spacings. See pages 16-19 for full details.

When fitted with 100w SON-T+ or CDO-TT lamps, Diamond Optic® setting A is unavailable and Diamond Optic® setting C (31/35) is restricted to 25/25 due to the size of the lamp and lampholder, resulting in a slightly altered distribution pattern.

### Pall Mall & Westminster Product Codes

Pall Mall	Westminster	Pall Mall & Westminster	Example
<b>1. Model</b>			
PAL	WES		PAL
<b>2. Lamp</b>			
050S	050S	50w SON-T+	042P
070S	070S	70w SON-T+/CDO-TT	
100S	100S	100w SON-T+/CDO-TT	
070H	070H	70w HQI-E	
100H	100H	100w HQI-E	
035C	035C	35w CDM-T	
070C	070C	70w CDM-T	
042P	042P	42w PL-T	
045W	045W	45w CosmoWhite	
060W	060W	60w CosmoWhite	
090W	090W	90w CosmoWhite	
<b>5. Colour/Finish</b>			
11	11	RAL 9017 Black	03
02	02	Natural copper	
03	03	Polished & lacquered copper*	
<b>6. Diamond Optic® Setting</b>			
A	A	5/35	B
B	B	10/10	
C	C	31/35	
D	D	5/25	
<b>7. Photocell</b>			
C	C	Yes	N
N	N	No	

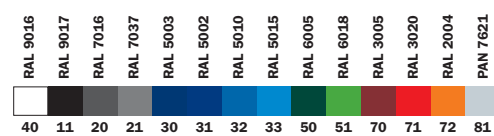
Open front cover flap for our guide to using this table. For non-standard codes, call us on 01992 474600.

#### Example Code:

- 1. PAL** Pall Mall
- 2. 042P** 42w PL-T
- 3. 03** Polished & lacquered copper finish
- 4. B** Diamond Optic® setting B
- 5. N** without Photocell

= **PAL 042P 03 B N**

\* For an alternative colour, replace 03 with the two digit number of the colour you require



This product is available in the colours listed on the opposite page, as well as any other colour from our full standard range, shown here, to special order. See inside cover flap for details.

# Pall Mall & Westminster

IP65 IK07  
CLASS I

heritage



### Options

**Size:**  
Pall Mall & Westminster  
For mounting at 4 - 5 metres  
Maximum lamp wattage: 100w

**Glazing:**  
Polycarbonate one piece glazing cone (standard)  
Acrylic one piece glazing cone

**Optical control:**  
Diamond Optic® (standard)  
Small skirt refractor

**Lamp:**  
45, 60, 90w CosmoWhite  
50, 70, 100w SON-T+  
70, 100w HQI-E  
35, 70w CDM-T  
70, 100w CDO-TT  
42w PL-T

**Mounting:**  
Traditional frog [76 mm Ø]

**Colours:**  
RAL 9017 Black  
RAL 5003 Sapphire Blue  
RAL 6005 Light Moss Green  
Natural Copper finish\*\*  
Polished and Lacquered Copper finish

\*\* NB Natural copper finish will rapidly weather usually giving a rich patina finish to the copper

**Other:**  
Electronic gear, some models

Miniature photocell  
Obtrusive light shield(s)  
Coronet painted gold

### Materials

**Body:**  
Copper

**Coronet (Westminster):**  
Aluminium (painted)

**Frog:**  
Metal sprayed steel

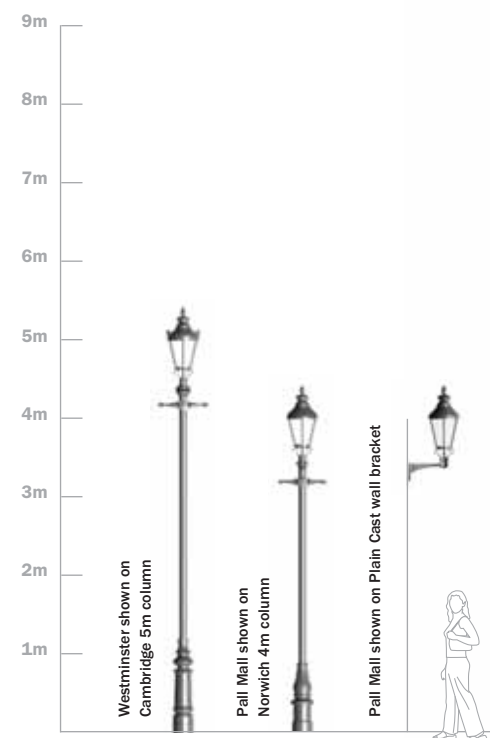
**Access:**  
Removable canopy

**Seals:**  
Silicone rubber

**Finish:**  
Polyester powder coated or copper

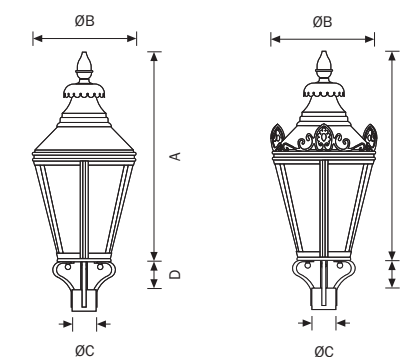
### Suggested column/bracket options

For full range of columns and brackets see page 162



### Pall Mall

### Westminster



	Dimensions (mm)				Weight (kg)	Windage
	A	B	C	D		
Pall Mall	787	397	76	115	10.2	0.20m <sup>2</sup>
Westminster	787	420	76	115	10.5	0.20m <sup>2</sup>

dwwindsor.co.uk  
answers@dwwindsor.co.uk