



London



Spectrum Park & Ride, Guildford

- Flat glass glazing option for zero light pollution
- Exceptional ease of maintenance via stainless steel over-centre latches
- Ingress Protection - whole luminaire sealed to IP66

Diamond Optic®



Diamond Optic® reflector system reduces light pollution and allows increased column spacings. See pages 16-19 for full details.

Cradle & Polar Product Codes

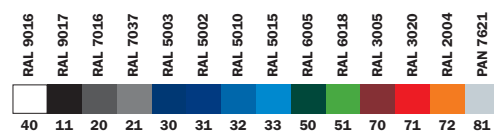
Polar 500	Polar 450	Cradle 450	Cradle & Polar	Example
1. Model				
PO5	PO4	CR4		PO5
2. Mounting				
S	S		Side Entry	E
D	D		Direct Entry	
E	E		Top Entry Easy-fit™	
T	T		Top Entry Threaded	
3. Glazing				
P	P	P	Polycarbonate bowl	P
F	F	F	Flat toughened glass	
4. Lamp				
	050S	050S	50w SON-T+/CDO-TT	140W
	070S	070S	70w SON-T+/CDO-TT	
100S	100S	100S	100w SON-T+/CDO-TT	
150S	150S	150S	150w SON-T+/CDO-TT	
250S			250w SON-T+/CDO-TT	
400S			400w SON-T+/CDO-TT	
	070H	070H	70w HQI-E	
100H	100H	100H	100w HQI-E	
150H	150H	150H	150w HQI-E	
250H			250w HQI-T	
400H			250w HQI-T	
	035C	035C	35w CDM-T	
	070C	070C	70w CDM-T	
150C	150C	150C	150w CDM-T	
	042P	042P	42w PL-T	
	057P	057P	57w PL-T	
	045W	045W	45w CosmoWhite	
	060W	060W	60w CosmoWhite	
090W	090W	090W	90w CosmoWhite	
140W	140W	140W	140w CosmoWhite	
5. Colour				
04	04	04	Black ring & anodised canopy*	04
6. Diamond Optic® Setting				
A	A	A	5/35	A
B	B	B	10/10	
C	C	C	31/35	
D	D	D	5/25	
7. Photocell				
C	C	C	Yes	N
N	N	N	No	

Open front cover flap for our guide to using this table. For non-standard codes, call us on 01992 474600.

- Example Code:**
- 1. PO5** Polar 500
 - 2. E** Top Entry Easy-fit™
 - 3. P** Polycarbonate Bowl Glazing
 - 4. 140W** 140w CosmoWhite
 - 5. 04** Painted RAL 9017 Black Ring & Anodised Canopy
 - 6. A** Diamond Optic® setting A
 - 7. N** without Photocell

= PO5 E P 140W 04 A N

* For an alternative colour, replace 04 with the two digit number of the colour you require



This product is available in the colours listed on the opposite page, as well as any other colour from our full standard range, shown here, to special order. See inside cover flap for details.



Cradle shown with flat glass Polar shown with bowl

Cradle



Polar



Cradle & Polar

IP66 IK07
CLASS I

Options

Sizes:
Polar 500
For mounting at 8 - 12 metres
Maximum lamp wattage: 400w**

Polar 450 & Cradle 450
For mounting at 4 - 8 metres
Maximum lamp wattage: 150w

Glazing:
Flat toughened glass
Polycarbonate bowl
Acrylic bowl

Optical control:
Diamond Optic®

Lamp:
45, 60, 90, 140w CosmoWhite
50, 70, 100, 150w SON-T+
250, 400w** SON-T+ (Polar 500 only)
70, 100, 150w HQI-E
250, 400w** HQI-T (Polar 500 only)
35, 70, 150w CDM-T
70, 100, 150w CDO-TT
250w CDO-TT (Polar 500 only)
42, 57w PL-T

** supplied with external gearbox (Polar 500) for details see page 102

Mounting:

Polar
Side entry [42 mm Ø]
Direct entry [76 mm Ø]
Easy-fit™ top entry [42.4 mm Ø]
Threaded top entry [1¼" BSP]
Gearbox entry

Cradle
76 mm Ø

Colours:
RAL 9017 Black
RAL 9017 Black ring & anodised canopy
RAL 7016 Anthracite Grey
RAL 7037 Dusty Grey
RAL 5003 Sapphire Blue
RAL 6005 Light Moss Green
RAL 3005 Wine Red
PAN 7621 Metallic Silver

Other:
Electronic gear, some models
Miniature photocell
Obtrusive light shield(s), except for flat glass option
Zebra crossing version available
See page 36-39 for details

Materials

Ring: Cast aluminium
Canopy: Spun aluminium
Direct/Side Entry (Polar): Cast aluminium
Top Entry (Polar): Corrosion protected steel
Entry (Cradle): Metal sprayed steel

Access: Body coloured stainless steel over-centre latches

Seals: Silicone rubber

Finish: Polyester powder coated

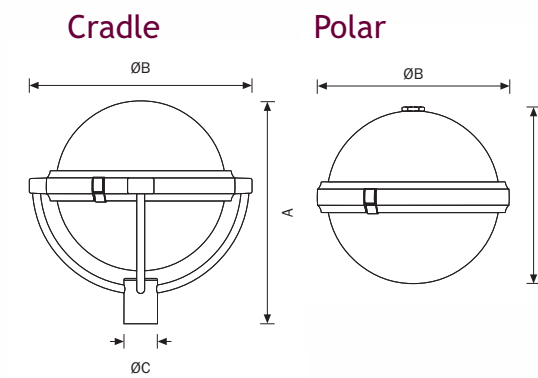
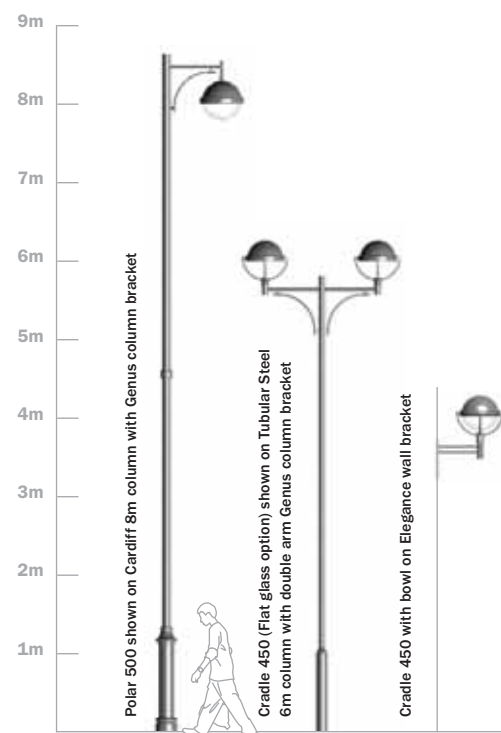
Contact us for electronic control systems

dwwindsor.co.uk
answers@dwwindsor.co.uk

urban contemporary

Suggested column/bracket options

For full range of columns and brackets see page 162



Variant	Dimensions (mm)			Weight (kg)	Windage
	A	B	C		
Polar 500	500	550		14.6	0.21m²
Polar 500*	305	550		16.1	0.14m²
Polar 450	450	500		13.2	0.17m²
Polar 450*	280	500		13.7	0.12m²
Cradle 450	590	590	76	18.0	0.20m²
Cradle 450*	590	590	76	18.9	0.15m²

* with flat glass