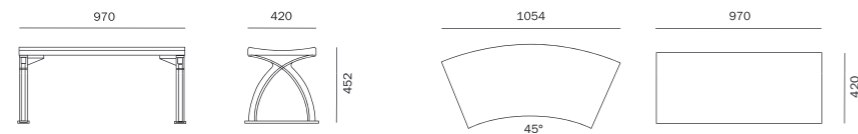
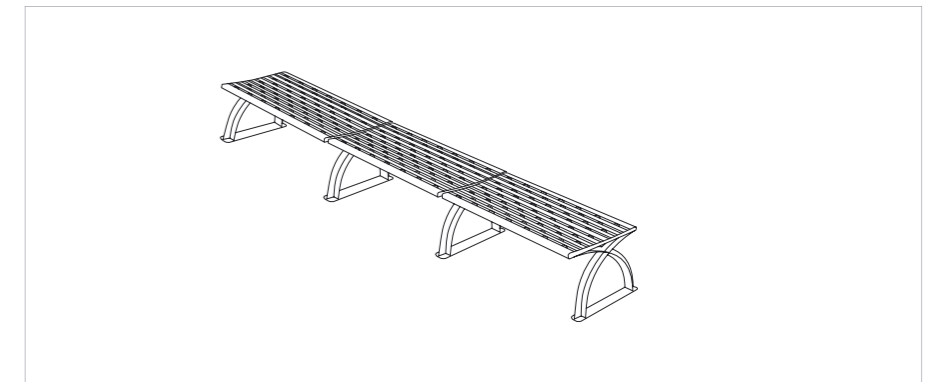
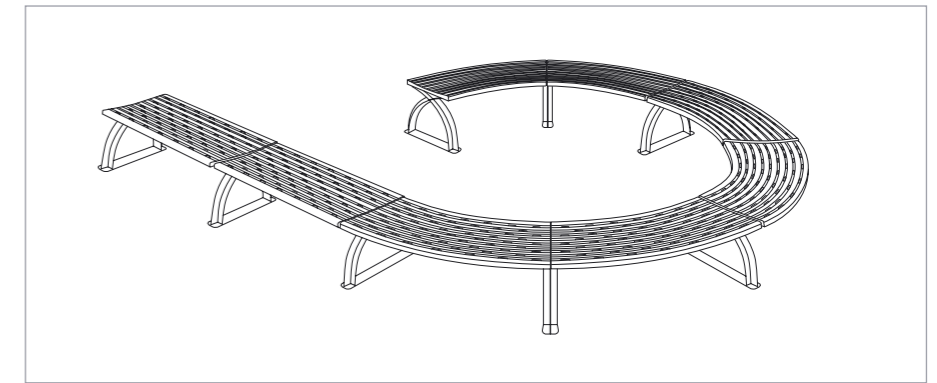


# Vario

The Vario bench represents a truly versatile design solution and its clean, modern style serves to heighten its appeal. Simplicity is the key to this product's multiple options which vary from a straight simple bench, semicircular or circular to an S-shaped arrangement.



## Materials

Manufactured completely from cast aluminium, the Vario is a modular seating system consisting of a 45° curved seat panel, a straight seat panel and a leg casting which can be used together to create a wide range of seating arrangements.

## Options

May be painted any standard RAL colour.

## Installation

To be bolted to the ground.

## Weight

Seating elements: 10kg

Leg: 4kg

## Product Codes

See page 121 for Product Codes.