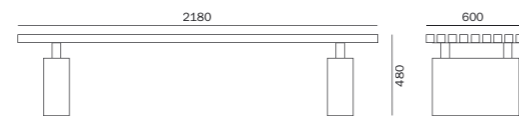
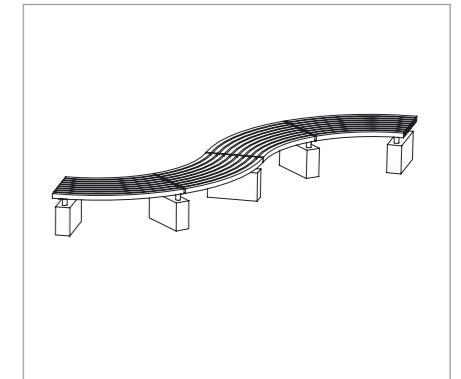
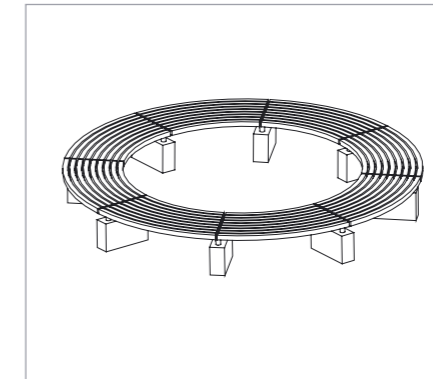


Cube

This supremely stylish, high quality bench exudes class and confidence rarely matched by more mainstream seating products. The combination of granite, stainless steel and wood effortlessly unite to create an exceptionally desirable look. If you want to make a design statement, Cube has to be a natural choice.



Materials

Polished solid natural granite bases, black-grey in colour with green and white inclusions
Slats: 50mm x 50mm Niangon hardwood finished in a red-brown varnish

Stainless steel (grade 304) spacer tubes and mounting plates connect the slats to the granite. A stainless steel centre strap is also provided

Options

The slats may be varnished in a light brown colour or painted any standard RAL colour

FSC (Forest Stewardship Council) wooden slats are available

The Cube bench is also available in a curved form to allow a variety of seating arrangements. A circular bench can be made using eight curved Cube benches

Installation

Granite bases are to be recessed into the ground to a depth of 50mm and retained by a pair of M10 x 300mm steel anchors (supplied)

Weight

180kg

Product Codes

See page 119 for Product Codes

