



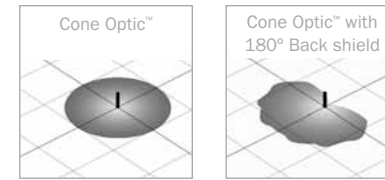
City Park, Hove

- Styling sympathetic to Optima range of luminaires, lighting columns and street furniture
- Cone Optic™ for enhanced spacing performance
- Tough polycarbonate glazing tube for enhanced vandal resistance
- Optional specular back shield enhances single direction performance



Cone Optic™

Optical Control Options



Polar & Vector Bollard Product Codes

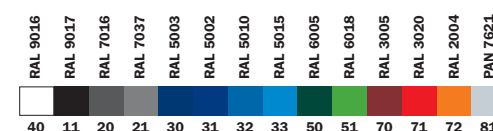
Polar	Vector	Polar & Vector	Example
1. Model			
POB	VEB		VEB
2. Optic			
C	C	Cone Optic™	W
A	A	Anodised Louvre	
W	W	White Louvre	
3. Lamp			
050S	050S	50w SON-T+	045W
070S	070S	70w SON-T+/CDO-TT	
050H	050H	50w HQI-E	
070H	070H	70w HQI-E	
035C	035C	35w CDM-T	
070C	070C	70w CDM-T	
042P	042P	42w PL-T	
045W	045W	45w CosmoWhite	
060W	060W	60w CosmoWhite	
4. Colour			
11	11	RAL 9017 Black*	81
5. Back shield			
B	B	Yes (for max 50w lamps only)	B
N	N	No	

Open front cover flap for our guide to using this table. For nonstandard codes, call us on 01992 474600.

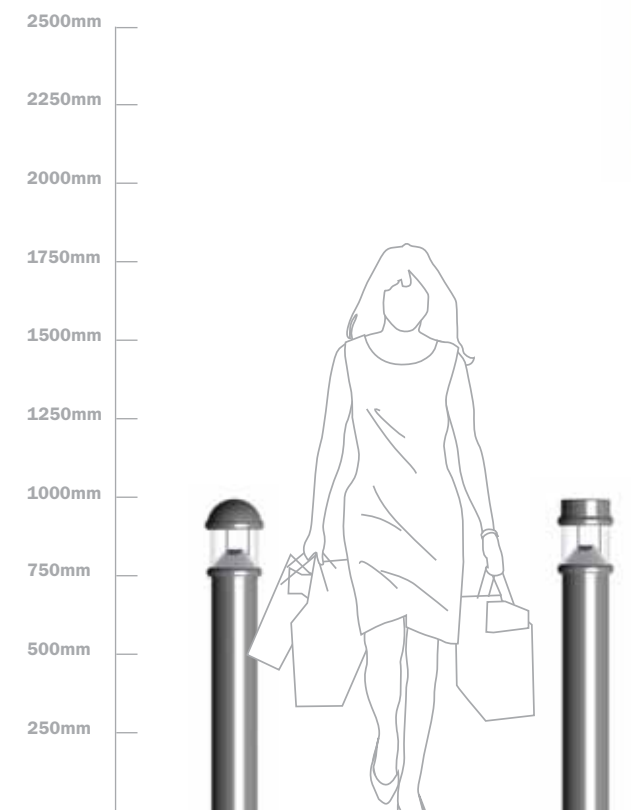
Example Code:
1. VEB Vector Bollard
2. W with White Louvre
3. 045W 45w CosmoWhite
4. 20 Painted RAL 7016 Anthracite Grey
5. N without Back shield

= **VEB W 045W 20 N**

* For an alternative colour, replace 11 with the two digit number of the colour you require



This product is available in the colours listed on the opposite page, as well as any other colour from our full standard range, shown here, to special order. See inside cover flap for details.



Polar & Vector

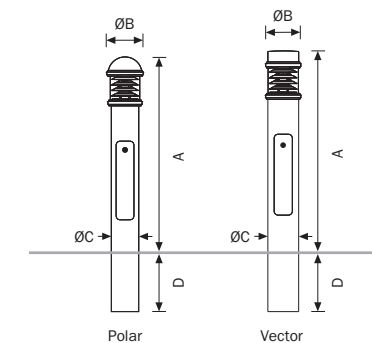
IP65 IK10
CLASS I

amenity



Polar

Vector



Variant	Dimensions (mm)				Weight (kg)
	A	B	C	D	
Polar	1000	186	152	300	21
Vector	1000	186	152	300	21

Options

Style:
Polar or Vector
 Maximum lamp wattage: 70w

Glazing:
 Clear polycarbonate

Optical control:
 Cone Optic™ reflector (standard)
 Anodised aluminium louvre
 White aluminium louvre

Lamp:
 45, 60w CosmoWhite
 50, 70w SON-T+
 50, 70w HQI-E
 35, 70w CDM-T
 70w CDO-TT
 42w PL-T

Mounting:
 Integral root (standard)
 Flange plate

Colours:
 RAL 9017 Black
 RAL 7016 Anthracite Grey
 RAL 7037 Dusty Grey
 RAL 5003 Sapphire Blue
 RAL 6005 Light Moss Green
 RAL 3005 Wine Red
 PAN 7621 Metallic Silver

Other:
 Electronic gear, some models

Specular back shield (180° cut-off)
 up to 50w lamp maximum

Materials

Head:
 Corrosion protected cast aluminium

Glazing:
 Clear polycarbonate

Cone Optic:
 Anodised aluminium

Body:
 Galvanised steel tube

Access:
 Stainless steel Allen screws

Seals:
 Silicone rubber

Finish:
 Polyester powder coated

dwwindsor.co.uk
 answers@dwwindsor.co.uk