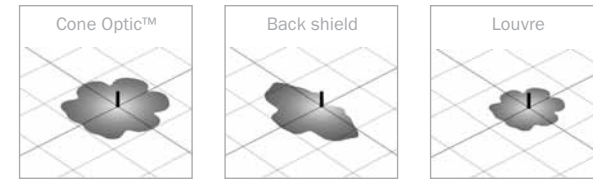




Royal Clarence Yard, Gosport

- Cone Optic™ allows for extended spacings of bollards with excellent uniformity
- Optional specular back shield enhances single direction performance
- Large lockable base compartment for easy installation of cut outs

Optical Control



Cannon & Eton Product Codes

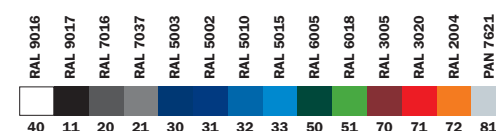
Cannon	Eton	Cannon & Eton Bollards	Example
1. Model			
CAN	ETN		CAN
2. Optic			
C	C	Cone Optic™	C
L	L	Louvre	
3. Lamp			
050S	050S	50w SON-T+	050S
070S	070S	70w SON-T+/CDO-TT	
050H	050H	50w HQI-E	
070H	070H	70w HQI-E	
035C	035C	35w CDM-T	
070C	070C	70w CDM-T	
042P	042P	42w PL-T	
4. Colour			
50	50	RAL 6005 Light Moss Green*	50
5. Back shield			
B	B	Yes (for max. 50w lamps only)	B
N	N	No	

Open front cover flap for our guide to using this table.
For non-standard codes, call us on 01992 474600.

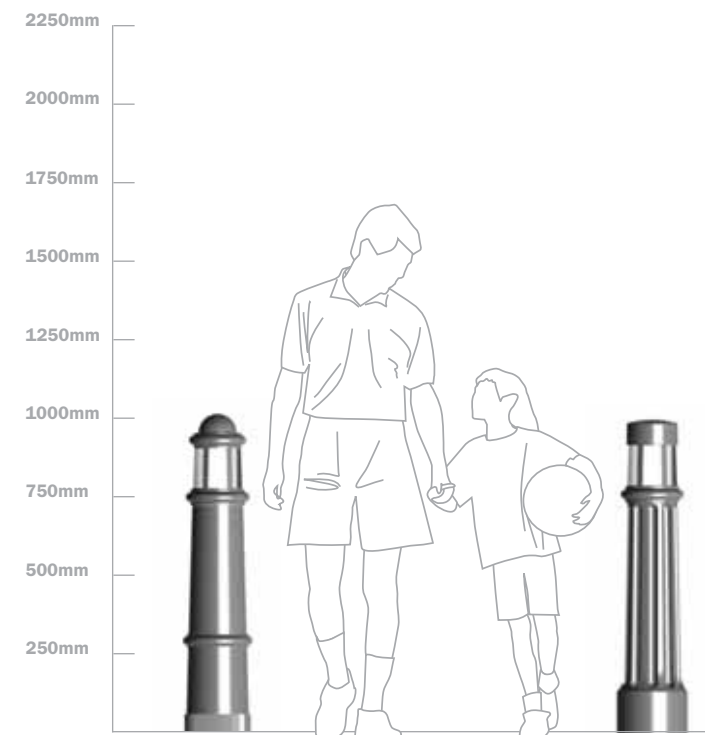
Example Code:
1. CAN Cannon
2. C Cone Optic™
3. 050S 50w SON-T+
4. 50 Painted RAL 6005 Light Moss Green
5. B with Back shield

= **CAN C 050S 50 B**

* For an alternative colour, replace 50 with the two digit number of the colour you require



This product is available in the colours listed on the opposite page, as well as any other colour from our full standard range, shown here, to special order. See inside cover flap for details.



Cannon



Eton

Cannon & Eton

IP55 IK07
CLASS I

heritage

Options

Style:
Cannon or Eton
Maximum lamp wattage: 70w

Glazing:
Polycarbonate clear

Optical control:
Cone Optic™ (standard)
Polished aluminium louvre set

Lamp:
50, 70w SON-T+
50, 70w HQI-E
35, 70w CDM-T
70w CDO-TT
42w PL-T

Mounting:
Integral 300mm root

Colours:
RAL 9017 Black
RAL 7016 Anthracite Grey
RAL 5003 Sapphire Blue
RAL 6005 Light Moss Green
RAL 3005 Wine Red

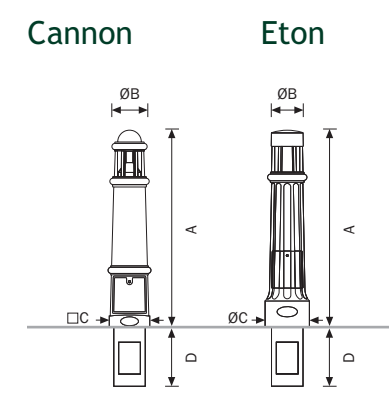
Other:
Specular back shield (180° cut off), up to 50w lamp maximum
Details painted Gold

Materials

Body:
Cast iron

Access:
Stainless steel Allen screws

Finish:
Two pack acrylic



Variant	Dimensions (mm)				Weight (kg)
	A	B	C	D	
Cannon	1005	120	210	300	66
Eton	1000	160	200	300	57

dwwindsor.co.uk
answers@dwwindsor.co.uk