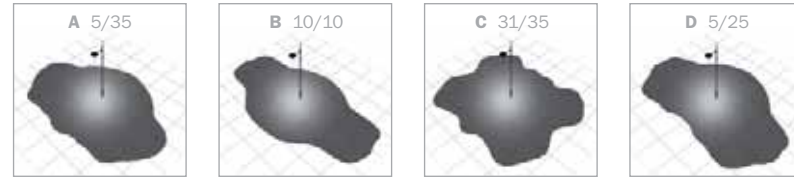


- With electronic gear for efficiency and long life
- Remote monitoring available
- Quick-release hinged glass for ease of lamp maintenance
- Ingress Protection – whole luminaire sealed to IP65

Designed by Priestman Goode /
Speirs and Major Associates

Diamond Optic®



Diamond Optic® reflector system reduces light pollution and allows increased column spacings. See pages 16-19 for full details.

When fitted with 100w SON-T+ or CDO-TT lamps, Diamond Optic® setting A is unavailable and Diamond Optic® setting C is restricted to 25/25 due to the size of the lamp and lampholder, resulting in a slightly altered distribution.

NEW

Sorento Product Codes

Sorento		Example	
1. Model			
SOR		SOR	
2. Lamp			
050S	50w SON-T+	090W	
070S	70w SON-T+/CDO-TT		
100S	100w SON-T+/CDO-TT		
150S	150w SON-T+/CDO-TT		
070H	70w HQI-E		
100H	100w HQI-E		
150H	150w HQI-E		
035C	35w CDM-T		
070C	70w CDM-T		
150C	150w CDM-T		
042P	42w PL-T		
057P	57w PL-T		
060W	60w CosmoWhite		
090W	90w CosmoWhite		
140W	140w CosmoWhite		
3. Colour			
27	RAL 9007 Textured Metallic Grey*	27	
4. Diamond Optic® Setting			
A	5/35	C	
B	10/10		See inside cover
C	31/35		for details
D	5/25		
5. Photocell			
C	Yes	C	
N	No		

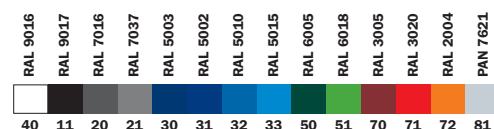
Open front cover flap for our guide to using this table. For non-standard codes, call us on 01992 474600.

Example Code:

- SOR** Sorento
- 090W** 90w CosmoWhite
- 27** Painted RAL 9007 Textured Metallic Grey
- C** Diamond Optic® setting C
- C** with Photocell

= **SOR 090W 27 C C**

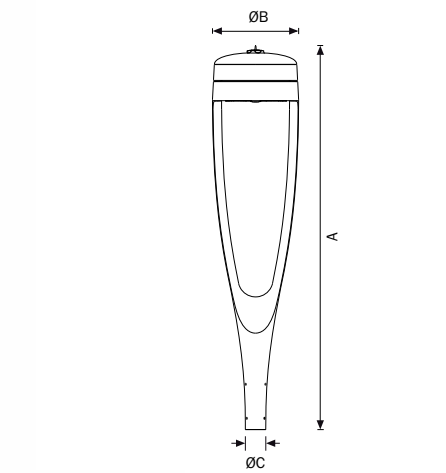
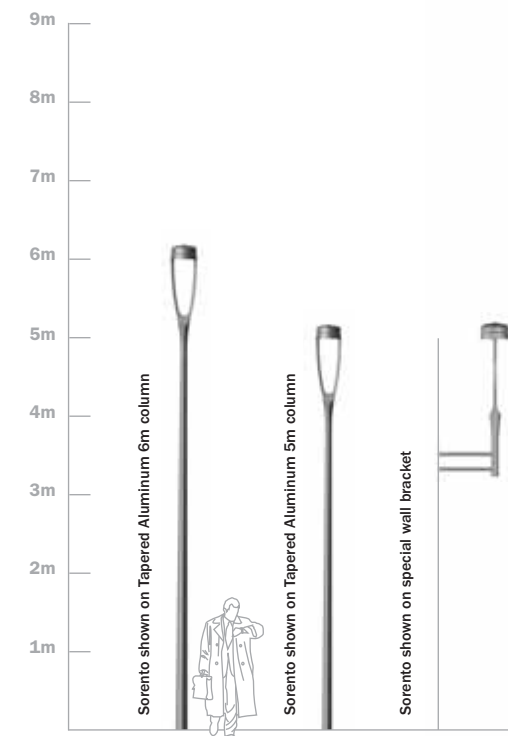
* For an alternative colour, replace 27 with the two digit number of the colour you require



This product is available in the colours listed on the opposite page, as well as any other colour from our full standard range, shown here, to special order. See inside cover flap for details.

Suggested column/bracket options

For full range of columns and brackets see page 162



Dimensions (mm)			Weight (kg)	Windage
A	ØB	ØC		
1693	380	76	23	0.22m²

Sorento

IP65 IK07
CLASS I

modern

Options

Sizes:
Sorento
For mounting at 4 - 8 metres
Maximum lamp wattage: 150w

Glazing:
Flat toughened glass

Optical control:
Diamond Optic®

Lamp:
60, 90, 140w CosmoWhite
50, 70, 100, 150w SON-T+
70, 100, 150w HQI-E
35, 70, 150w CDM-T
70, 100, 150w CDO-TT
42, 57w PL-T

Mounting:
76 mm Ø

Colours:
RAL 7621 Textured Metallic Silver
RAL 9007 Textured Metallic Grey

Other:
Miniature photocell

Materials

Base Frame:
Cast aluminium

Body:
Spun aluminium

Canopy:
Cast aluminium

Access:
Stainless steel latch

Seals:
Silicone rubber

Finish:
Polyester powder coated