

Kirium Pro

Refined performance





Designed to perform, built to last

Offering exceptional performance, easy maintenance and a low total cost of ownership, Kirium Pro S is a high quality lighting solution optimised for road lighting applications.

Developed to support operators as they work to lower energy consumption and cut carbon emissions, Kirium Pro S is highly efficient and built to last, helping to lower running costs and deliver a quick return on investment and substantial long-term savings.

Key advantages

- Highly efficient solution delivering up to 199 lm/W to support substantial long-term savings
- Extremely reliable luminaire with an outstanding service life of over 100,000 hours
- Multiple LED configurations from 8 to 64 and flexible drive currents for tailored performance
- A wide range of Diamond+® light distributions, optimised for road lighting applications
- Easy to install using optional Universal Entry, allows for quick switching on site
- Hassle-free maintenance thanks to flat glass glazing and toolless entry
- Futureproofed design using industry-standard platforms and a range of connectivity options
- Zhaga D4i certified luminaire able to accommodate compatible control devices

Applications



Roads & motorways



Residential areas



Car parks



Footpaths & cycle routes





Flexible lighting for a changing world

Designed to offer comfort and safety without overlighting, Kirium Pro S is a highly efficient lighting solution offering tailored performance thanks to a wide range of precision optics and drive current settings. In addition, multiple LED packages are available across three luminaire sizes which feature a uniform design, providing a consistent appearance across schemes.



Kirium Pro S Mini

Lumen Range
1,210 – 3,945 lm

Power Range
7 – 28 W

LED Quantity
8

Mounting Height
4 - 6 m

Typical Applications
Footpaths / Cycleways / Residential



Kirium Pro S1

Lumen Range
2,350 – 14,175 lm

Power Range
12 – 96 W

LED Quantity
16 / 24 / 32

Mounting Height
6 - 8 m

Typical Applications
Residential / Railway Platforms



Kirium Pro S2

Lumen Range
4,350 – 27,175 lm

Power Range
23 – 187 W

LED Quantity
32 / 48 / 64

Mounting Height
8 - 10 m

Typical Applications
Car Parks / Roads / Pedestrian Crossings / Motorways



Minimal energy use

Kirium Pro S has been optimised for low energy usage over its 100,000+ hour life, ensuring a low total cost of ownership. Lighting controls can further minimise consumption, helping to increase long term savings.



Targeted illumination

By offering a choice of 14 precise optics, Kirium Pro S can produce widely different distributions to ensure light is placed just where it's needed, helping to protect local wildlife and the surrounding environment.



A lightweight solution

Kirium Pro S has been engineered to use the minimum amount of raw materials possible to reduce its overall weight, helping to lower transportation emissions and reduce its overall carbon footprint.



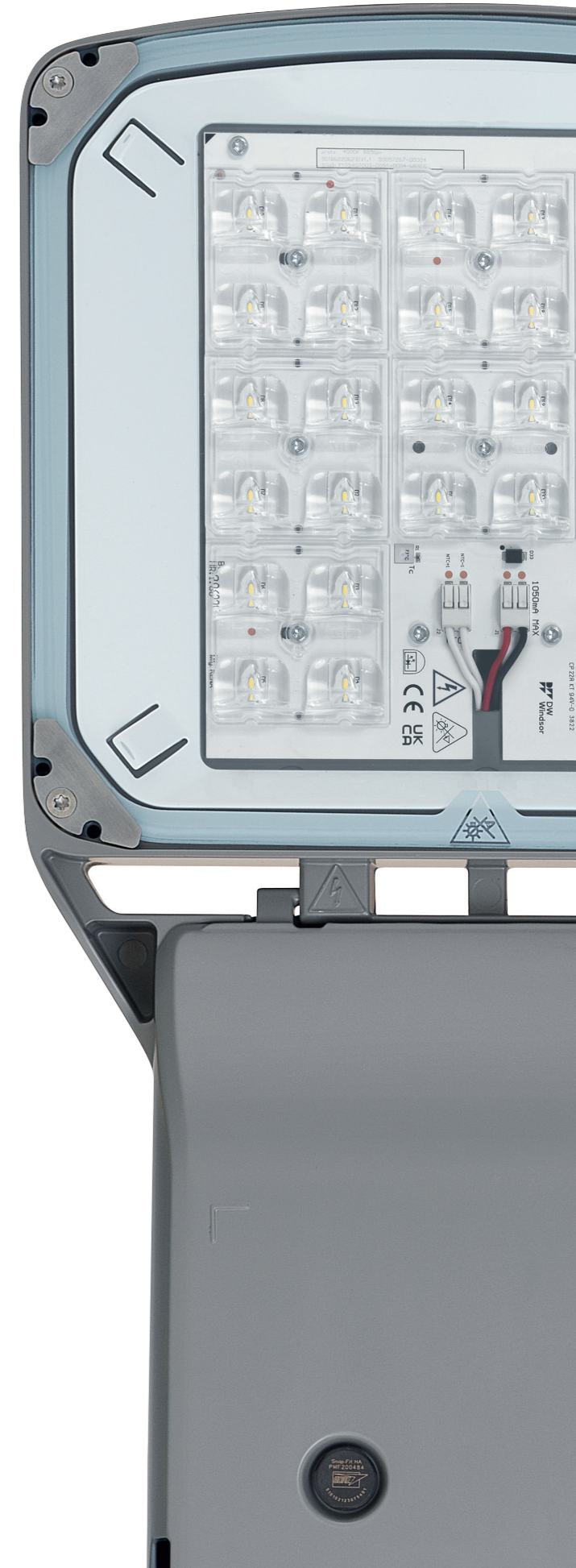
Circular by design

Designed with circularity in mind, Kirium Pro S is constructed using durable materials for increased longevity, while mechanical fixings and replaceable components reduce waste and maximise service life.



Easy to maintain

Control gear is easy to access from below without the need for tools using quick-release spring clips, while the optional electrical auto-disconnect feature ensures maintenance can be conducted safely.





Design features

Kirium Pro S is a feature-packed, professional lighting solution designed to support a range of applications now, and in the future.

Durable Construction
Manufactured from die-cast LM6 aluminium with a polyester powder coat or marine-grade finish for maximum protection

Smart City Ready
Compatible with the latest lighting control technologies via optional top and bottom sockets, delivering additional energy savings

Thermally Optimised
An innovative finless design and CoolZone™ technology provide a thermal barrier between the driver and LED chamber extending the luminaire's operational lifetime

Auto-Disconnect Option
Automatically disconnects the power supply when the luminaire cover is opened, providing added safety during maintenance

Exceptional Performance
Configurable from 8 to 64 high power LEDs capable of delivering up to 27,935lm, with luminaire efficacy of up to 199lm/W

Secure Design
Hinged electronics cover features a mechanical tether and can be secured using optional tamper-proof screws for added protection

Flexible Mounting
Dedicated post top [Ø60 - 76mm] and side entry [Ø34 - 42mm] options, plus our Universal Entry solution for ultimate versatility on-site

Easy Installation
Hassle-free installation thanks to Universal Entry. Quickly switch between post top and side entry mountings on-site

Adjustable Tilt
A wide range of tilt adjustment in 2.5° steps allowing for fine-tuning during installation

SupportTag
QR-based system to simplify the luminaire maintenance process, ensures issues are resolved quickly by our dedicated support team

Breather Valve
An anti-condensation valve regulates internal pressure and prevents moisture build-up

Dedicated Optics
Kirium Pro S is offered with a wide selection of optics for precise beam control, supporting a range of street lighting applications

Flat Glass Glazing
Easy to clean, ultra-clear toughened glass maintains optimal luminaire performance while also offering added protection against impacts and water ingress

Futureproofed Solution
Utilises Zhaga industry-standard components and circular economy principles to ensure the luminaire is easy to maintain and upgrade throughout its service life

Dark Sky Friendly
Kirium Pro S has a 0% ULOR (Upward Light Output Ratio) to combat light pollution and minimise sky glow

Toolless Entry
Quick-release spring clips provide access to internal components from below, ensuring the luminaire is easy to install and maintain



Onsite flexibility

We understand that the ability to make last minute changes and adjustments on-site is crucial for a successful installation programme. This is why we have developed Kirium Pro S to be our most versatile street light to date.

Kirium Pro S can be supplied pre-wired, making the optional Universal Entry a game changer in the ability to have on-site switching from side entry to post top entry without the need to disconnect the flex. Kirium Pro S also has quick and easy tilting functionality enabling delicate on-site adjustments to the luminaire.

Multiple mounting options



Universal entry

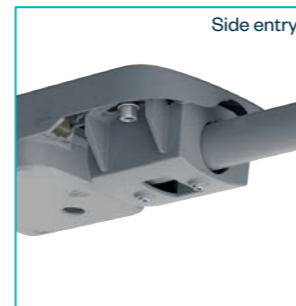
Easily adapts to any column or bracket mounting on-site offering maximum flexibility during installation



Post top

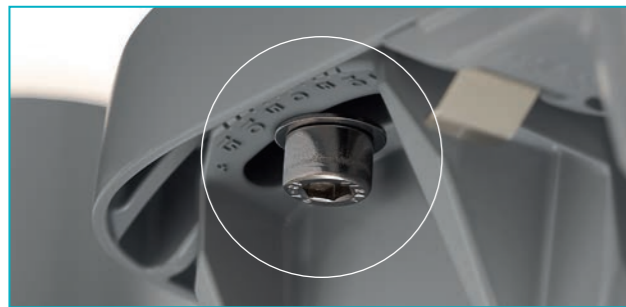
Dedicated entry

For schemes where the mounting method is known, dedicated entry options can help lower capital costs



Side entry

Easy to install and maintain



Adjustable tilt

Quickly adjust inclination angle in 2.5° step increments to ensure a level lighting plane regardless of ground elevation



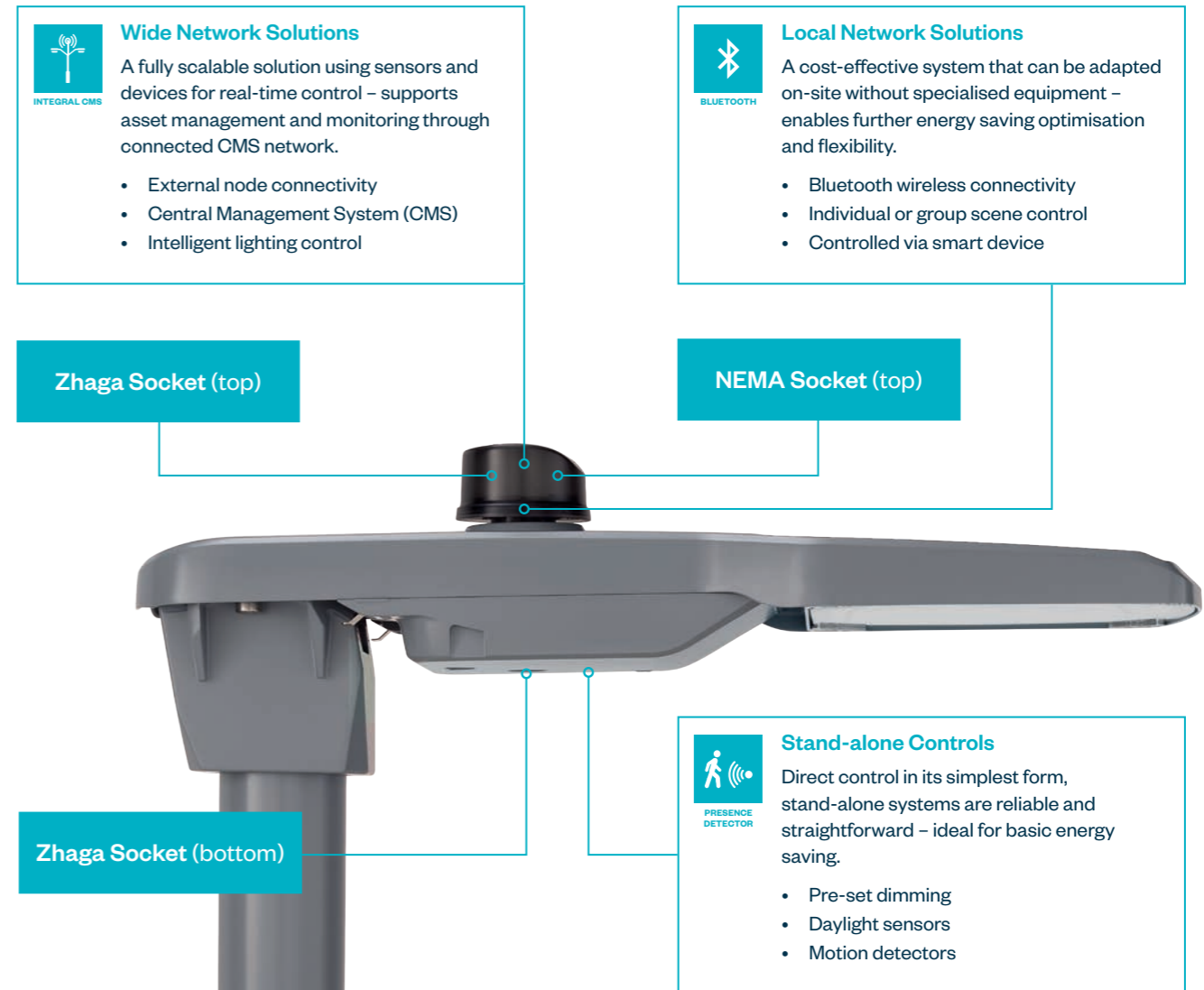
Toolless access

Quick-release spring clips provide easy access to control gear and wiring from below to simplify installation and maintenance

Take control of your lighting

Lighting controls help save energy, extend luminaire life and provide light only when it's needed, ensuring that areas are lit at the right times while also helping to protect our natural environment.

Kirium Pro S can be controlled in a variety of ways, from simple factory-set dimming to full CMS. In addition, Kirium Pro S can be specified with both NEMA and Zhaga sockets mounted in top and bottom locations, helping to future-proof the luminaire.



Kirium Pro S lumen packages and wattages matrix¹

Model	No of LEDs	250	300	350	400	450	500	550	600	650	700	750	800	850	900	950	1000	1050	
Kirium Pro S Mini	8	Im	1,211	1,431	1,644	1,851	2,051	2,245	2,432	2,612	2,786	2,953	3,114	3,269	3,417	3,558	3,694	3,823	3,945
		W	7	8	9	10	12	13	14	16	17	18	20	21	22	24	25	27	28
Kirium Pro S1	16	Im	2,352	2,780	3,194	3,596	3,984	4,360	4,724	5,074	5,412	5,737	6,049	6,349	6,637	6,912	7,175	7,425	7,663
		W	12	15	17	19	22	24	26	29	31	34	36	39	41	44	47	49	52
	24	Im	3,370	3,983	4,577	5,152	5,710	6,248	6,769	7,271	7,755	8,221	8,668	9,098	9,510	9,904	10,281	10,640	10,981
		W	17	20	24	27	30	34	37	41	44	48	51	55	58	62	66	69	73
Kirium Pro S1 Kirium Pro S2	32	Im	4,350	5,141	5,908	6,651	7,370	8,066	8,737	9,385	10,010	10,612	11,190	11,745	12,276	12,785	13,271	13,735	14,175
		W	23	27	31	36	40	44	49	53	58	63	67	72	77	81	86	91	96
Kirium Pro S2	48	Im	6,673	7,886	9,062	10,201	11,304	12,371	13,401	14,395	15,353	16,272	17,162	18,013	18,829	19,610	20,355	21,065	21,741
		W	36	43	50	57	64	71	78	85	92	99	107	114	122	129	137	145	153
	64	Im	8,341	9,857	11,327	12,751	14,130	15,463	16,751	17,994	19,191	20,344	21,453	22,517	23,536	24,512	25,443	26,332	27,176
		W	44	52	61	69	78	86	95	104	113	122	131	140	149	159	168	177	187

¹ Lumen data based on 4000K with A2 optic and no Light Output Reduction (LOR) factor applied. Data provided as indication of performance. Please refer to photometric files for individual optic results.

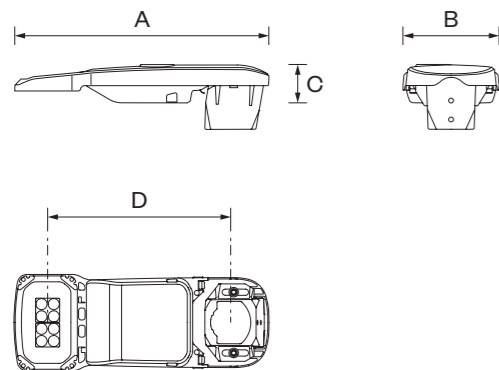
Luminaire dimensions

	Dimensions (mm)				Weight (kg)	Windage (m ²)
	A	B	C	D		
Kirium Pro S Mini	532	200	80	378	4.8	0.039
Kirium Pro S1	632	246	80	432	5.5	0.053
Kirium Pro S2	704	320	80	478	7.2	0.059

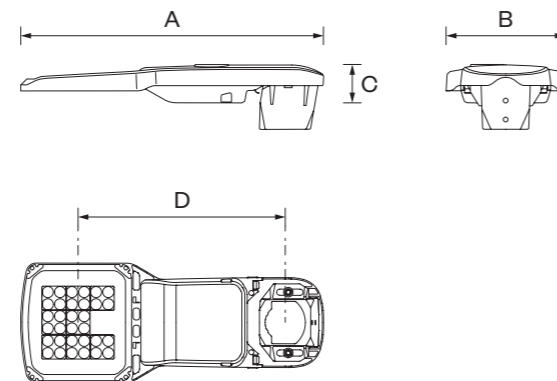
CCT details

	Light Output Reduction Factor	S/P Ratio
4000K	1.00	1.5
3000K	0.93	1.4
2700K	0.86	1.3

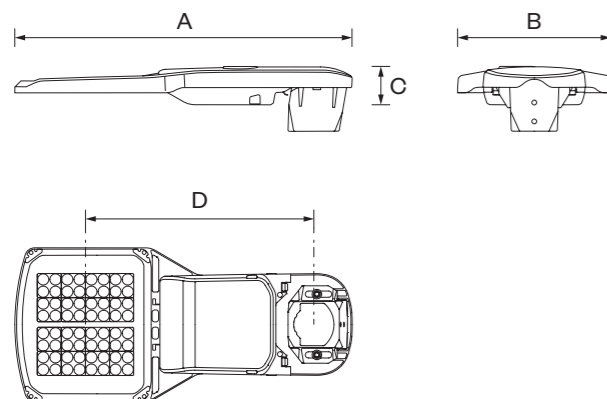
Kirium Pro S Mini



Kirium Pro S1



Kirium Pro S2



Product codes

	Code	Example
Family		
Kirium Pro S Mini	KPSM	KPS1
Kirium Pro S1	KPS1	
Kirium Pro S2	KPS2	
Light Engine		
8 LED	8	24
16 LED	16	
24 LED	24	
32 LED	32	
48 LED	48	
64 LED	64	
Housing		
Full die-cast aluminium	A	A
Die-cast aluminium with polycarbonate lower cover	H	
Mounting		
Universal entry (post top Ø60 - 76mm / side entry Ø34 - 60mm) preset for post top	A	A
Universal entry (post top Ø60 - 76mm / side entry Ø34 - 60mm) preset for side entry	B	
Dedicated entry (Ø60 - 76mm direct post top)	D	
Dedicated entry (Ø34 - 42mm side entry)	S	
Colour Temperature		
2700K	27	30
3000K	30	
4000K	40	
Drive Current		
Drive currents from 250mA to 1050mA are available in 50mA increments Insert drive current value (eg 750mA - 750)	250 / 300 / 350 400 / 450 / 500 550 / 600 / 650 700 / 750 / 800 850 / 900 / 950 1000 / 1050	700
Light Distribution		
Roads - Diamond+ A Optic	A1 / A2 / A3 / A5 / A6	A1
Pathways - Diamond+ B Optic	B1 / B2 / B3	
Areas - Diamond+ C Optic	C1 / C2 / C6	
Crossings - Diamond+ Z Optic	ZL / ZR / ZF	
Colour Finish		
RAL 7046 Mid grey	CF	CF
RAL 7035 Light grey	29	
RAL 9005 Black	10	
Other RAL colour [on request]	RAL [specify]	
Paint Finish		
Polyester powder coat	PP	PP
Marine-grade coating	MG	
Connectivity & Control		
No connectivity or control	N	U20
Miniature photocell 20 lux (1:0.5)	U20	
Miniature photocell 20 lux (1:0.5) [top] with 4-pin Zhaga Book 18 socket [bottom]	U20Z	
Miniature photocell 35 lux (1:0.5)	U35	
Miniature photocell 35 lux (1:0.5) [top] with 4-pin Zhaga Book 18 socket [bottom]	U35Z	
6-pin NEMA socket	B1	
7-pin NEMA socket	D2	
7-pin NEMA socket [top] with 4-pin Zhaga Book 18 socket [bottom]	D2Z	
4-pin Zhaga Book 18 socket [top]	Z4	
4-pin Zhaga Book 18 socket [bottom]	Z4A	
4-pin Zhaga Book 18 socket [top and bottom]	Z4B	
Knife Switch (optional)		
Knife switch (electrical disconnection block)	KS	-
Tamper-Proof Screws (optional)		
Tamper-proof screws on toolless entry points	TP	-
Example Code: KPS1 24 A A 30 700 A1 CF PP U20		

Key Features

Highly efficient luminaire available in three sizes and multiple LED configurations to support a wide range of road lighting applications

Offered with 14 Diamond+ optical distributions to ensure light is placed only where its needed for improved comfort and safety

Quick to install using optional Universal Entry which allows for easy switching between post top and side entry on-site, with cable fitted

Easy and safe to maintain thanks to flat glass glazing and toolless entry with mechanical tether and electrical auto-disconnect option

Futureproofed design using standardised components and a range of connectivity options in top and bottom locations

Zhaga D4i certified luminaire able to accommodate compatible control devices

Options

Kirium Pro S Mini: (8 LEDs) for mounting at 4-6 metres

Kirium Pro S1: (16 - 32 LEDs) for mounting at 6-8 metres

Kirium Pro S2: (32 - 64 LEDs) for mounting at 8-10 metres

Optical Control

Diamond+ A Optic: Roads (A1 / A2 / A3 / A5 / A6)

Diamond+ B Optic: Pathways (B1 / B2 / B3)

Diamond+ C Optic: Areas (C1 / C2 / C6)

Diamond+ Z Optic: Crossings (ZL / ZR / ZF)

Lifetime

> 100,000 hours L90 B10

Total Luminaire Lumens

Kirium Pro S Mini: 1,210 - 3,945 lm

Kirium Pro S1: 2,350 - 14,175 lm

Kirium Pro S2: 4,350 - 27,175 lm

Colour Temperature

2700K / 3000K / 4000K

Colour Rendering Index

70Ra

Luminaire Efficacy

Up to 199lm/W

Drive Current

250mA - 1050mA (in 50mA increments)

Mounting

Universal entry: Ø60 - 76mm (PT) / Ø34 - 60mm (SE)

Dedicated entry (post top): Ø60 - 76mm

Dedicated entry (side entry): Ø34 - 42mm

Inclination (post top): -10° -to +15° in 2.5° increments

Inclination (side entry): -15° -to +10° in 2.5° increments

Control

CLO: Constant Light Output enabled - for energy savings and dependable light throughout the lifetime of the luminaire

Switch: On/off through conventional miniature or NEMA photocell

Dim: Factory set pre-programmed dimming profiles

CMS: Compatible with all available CMS systems

Smart City Ready: Supports Smart City equipment and Zhaga compliant connectors

Colours

RAL 9005 Black (smooth finish)

RAL 7046 Mid grey (smooth finish)

RAL 7035 Light grey (smooth finish)

(Other RAL colours available on request)

Materials

Body: High-pressure die-cast aluminium (LM6)

Glazing: Toughened glass

Seals: Silicone

Finish: Polyester powder coat / Marine-grade coating

Accessories

Optional obtrusive light shield(s) available and can be fitted after installation without opening the luminaire

Installation & Maintenance

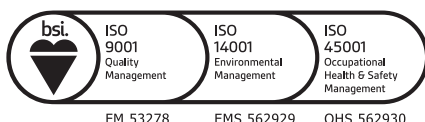
Available with various cable tail options prefitted

Includes SupportTag® for easy luminaire maintenance

Operational temperature range: -40°C to +40°C

Surge protection: 10kV

* Class II on request



DW Windsor

Pindar Road, Hoddesdon, Hertfordshire, EN11 ODX
+44 (0) 1992 474600 | info@dw Windsor.com
dw Windsor.com

DW Windsor is a Carbon Neutral company

© 2024 DW Windsor Ltd. All rights reserved.

