

# Heritage Lighting

## Specification Guide

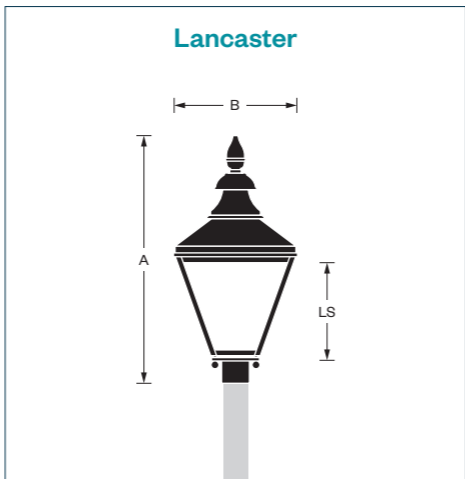


|                          | Dimensions mm |     |     |     | kg   | lm/m <sup>2</sup> |
|--------------------------|---------------|-----|-----|-----|------|-------------------|
|                          | A             | B   | C   | LS  |      |                   |
| Windsor Boulevard        | 1005          | 495 | 264 | 670 | 12.3 | 0.54              |
| Windsor Street <b>DS</b> | 833           | 440 | 264 | 600 | 10.3 | 0.40*             |
| Windsor Avenue           | 745           | 390 | 192 | 470 | 8.3  | 0.31              |

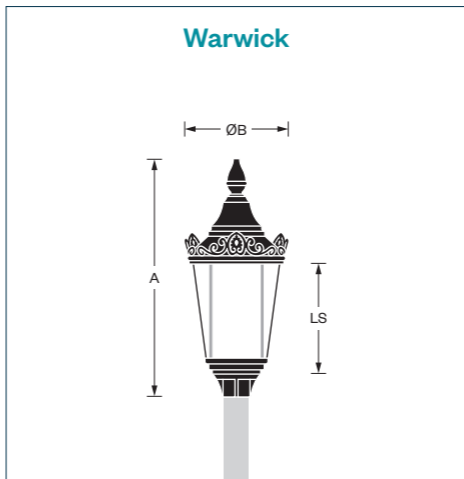
\*Windsor DS Windage = 0.22



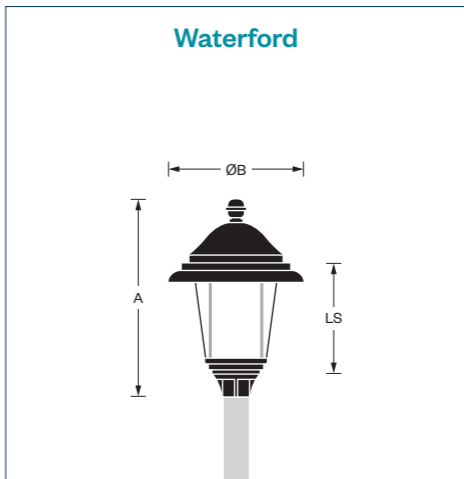
|               | Dimensions mm |     |     |     | kg  | lm/m <sup>2</sup> |
|---------------|---------------|-----|-----|-----|-----|-------------------|
|               | A             | B   | C   | LS  |     |                   |
| Windsor Urban | 825           | 417 | 192 | 500 | 7.9 | 0.40              |



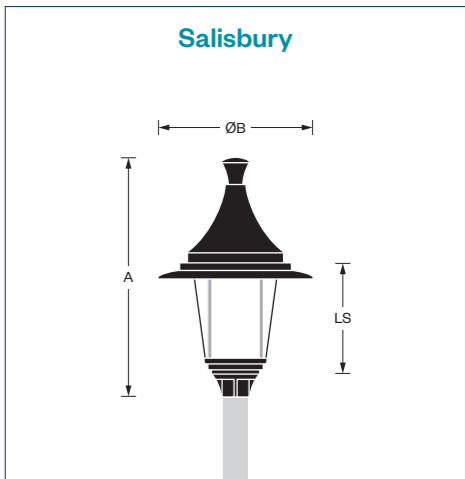
|           | Dimensions mm |     |     | kg   | lm/m <sup>2</sup> |
|-----------|---------------|-----|-----|------|-------------------|
|           | A             | B   | LS  |      |                   |
| Lancaster | 725           | 410 | 330 | 12.5 | 0.35              |



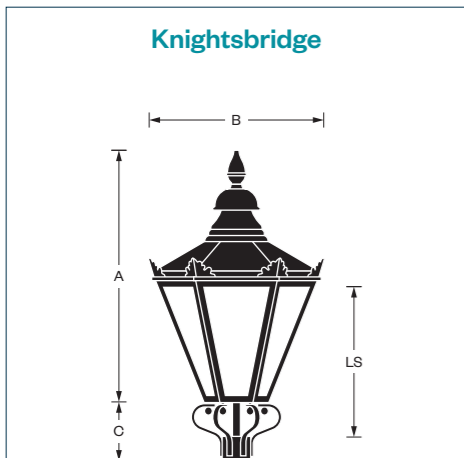
|         | Dimensions mm |     |     | kg  | lm/m <sup>2</sup> |
|---------|---------------|-----|-----|-----|-------------------|
|         | A             | B   | LS  |     |                   |
| Warwick | 786           | 345 | 363 | 5.2 | 0.15              |



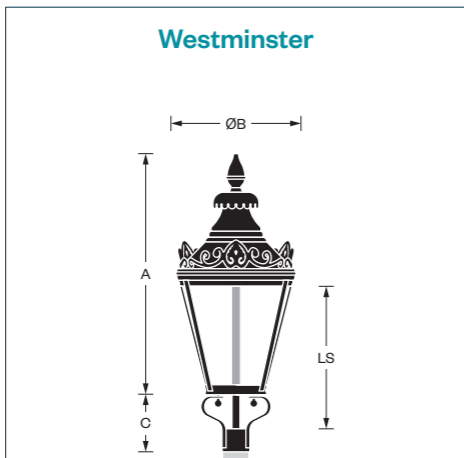
|           | Dimensions mm |     |     | kg  | lm/m <sup>2</sup> |
|-----------|---------------|-----|-----|-----|-------------------|
|           | A             | B   | LS  |     |                   |
| Waterford | 665           | 450 | 363 | 5.3 | 0.15              |



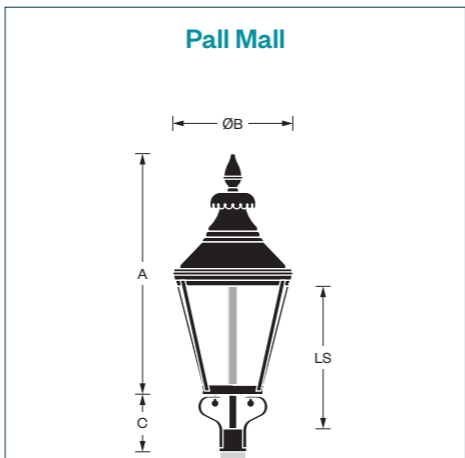
|           | Dimensions mm |     |     | kg  | lm/m <sup>2</sup> |
|-----------|---------------|-----|-----|-----|-------------------|
|           | A             | B   | LS  |     |                   |
| Salisbury | 778           | 500 | 363 | 5.4 | 0.16              |



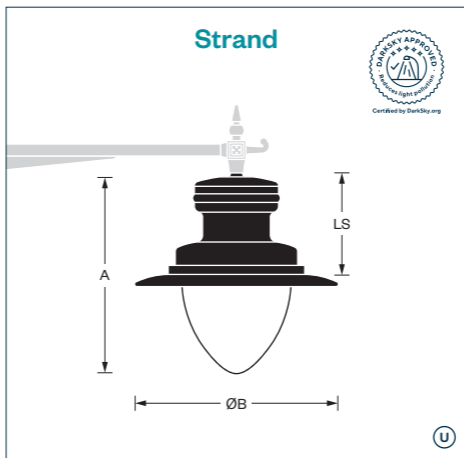
|                      | Dimensions mm |     |     |     | kg   | lm/m <sup>2</sup> |
|----------------------|---------------|-----|-----|-----|------|-------------------|
|                      | A             | B   | C   | LS  |      |                   |
| Knightsbridge Street | 890           | 610 | 187 | 510 | 12.5 | 0.32              |
| Knightsbridge Avenue | 741           | 510 | 187 | 450 | 10.5 | 0.28              |



|             | Dimensions mm |     |     |     | kg   | lm/m <sup>2</sup> |
|-------------|---------------|-----|-----|-----|------|-------------------|
|             | A             | B   | C   | LS  |      |                   |
| Westminster | 787           | 420 | 184 | 470 | 10.5 | 0.20              |

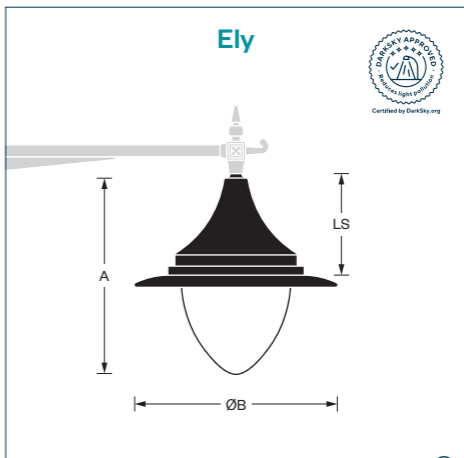


|           | Dimensions mm |     |     |     | kg   | lm/m <sup>2</sup> |
|-----------|---------------|-----|-----|-----|------|-------------------|
|           | A             | B   | C   | LS  |      |                   |
| Pall Mall | 787           | 397 | 184 | 470 | 10.2 | 0.20              |



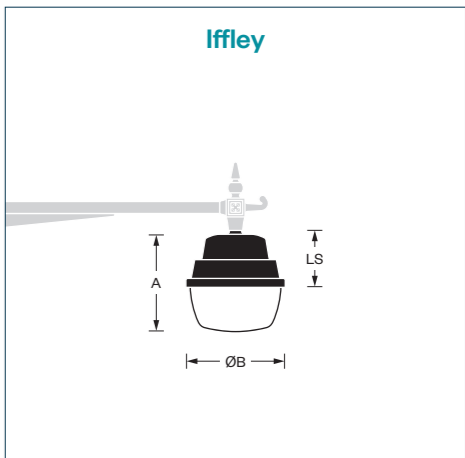
|                    | Dimensions mm |     |     | kg   | lm/m <sup>2</sup> |
|--------------------|---------------|-----|-----|------|-------------------|
|                    | A             | B   | LS  |      |                   |
| Strand A Plus      | 870           | 900 | 435 | 18.0 | 0.35              |
| Strand A           | 643           | 670 | 330 | 11.5 | 0.19              |
| Strand B <b>DS</b> | 575           | 585 | 290 | 8.5  | 0.15*             |
| Strand C           | 498           | 480 | 245 | 5.5  | 0.11              |

\*Strand DS Windage = 0.097

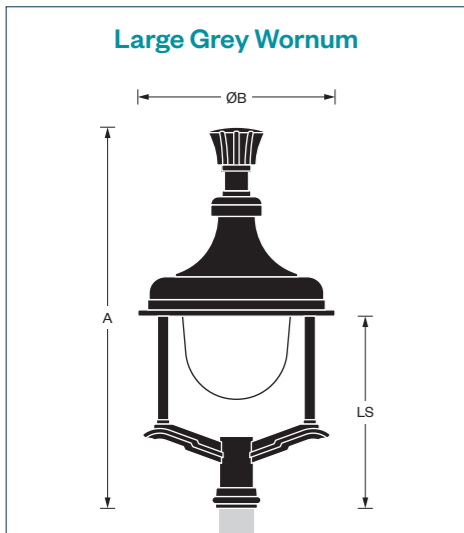


|                 | Dimensions mm |     |     | kg   | lm/m <sup>2</sup> |
|-----------------|---------------|-----|-----|------|-------------------|
|                 | A             | B   | LS  |      |                   |
| Ely A           | 638           | 670 | 325 | 11.5 | 0.17              |
| Ely B <b>DS</b> | 575           | 585 | 290 | 8.5  | 0.14*             |
| Ely C           | 489           | 480 | 235 | 5.5  | 0.10              |

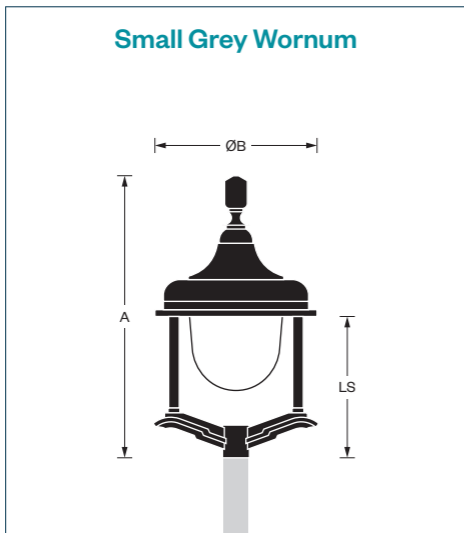
\*Ely DS Windage = 0.097



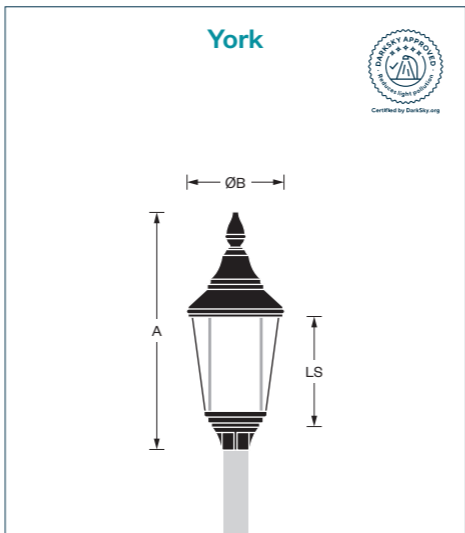
|        | Dimensions mm |     |     | kg  | lm/m <sup>2</sup> |
|--------|---------------|-----|-----|-----|-------------------|
|        | A             | B   | LS  |     |                   |
| Iffley | 320           | 324 | 170 | 4.9 | 0.09              |



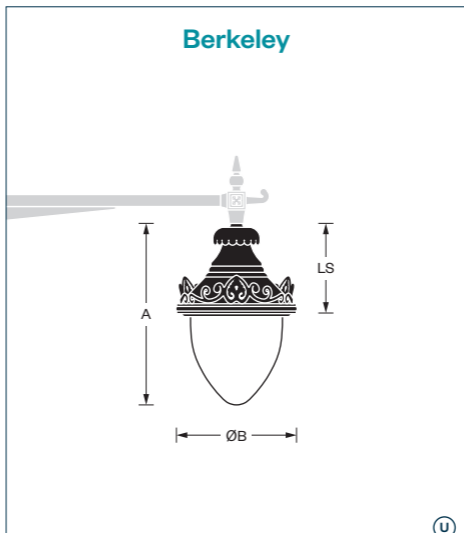
|                   | Dimensions mm |     |     | kg   | lm/m <sup>2</sup> |
|-------------------|---------------|-----|-----|------|-------------------|
|                   | A             | B   | LS  |      |                   |
| Large Grey Wornum | 1263          | 652 | 660 | 21.0 | 0.33              |



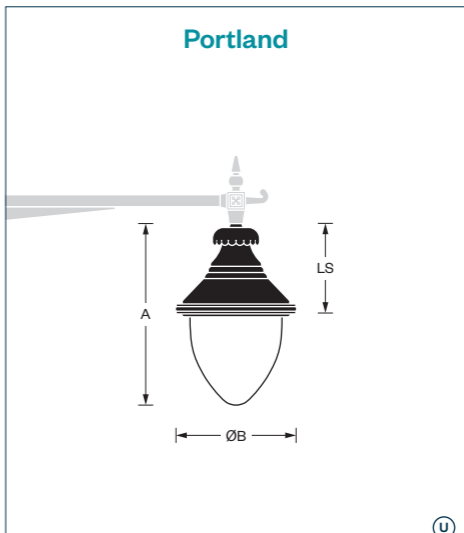
|                   | Dimensions mm |     |     | kg   | lm/m <sup>2</sup> |
|-------------------|---------------|-----|-----|------|-------------------|
|                   | A             | B   | LS  |      |                   |
| Small Grey Wornum | 882           | 516 | 490 | 13.0 | 0.28              |



|                | Dimensions mm |     |     | kg  | lm/m <sup>2</sup> |
|----------------|---------------|-----|-----|-----|-------------------|
|                | A             | B   | LS  |     |                   |
| York <b>DS</b> | 786           | 323 | 363 | 5.0 | 0.14              |



|          | Dimensions mm |     |     | kg  | lm/m <sup>2</sup> |
|----------|---------------|-----|-----|-----|-------------------|
|          | A             | B   | LS  |     |                   |
| Berkeley | 600           | 428 | 280 | 7.9 | 0.17              |



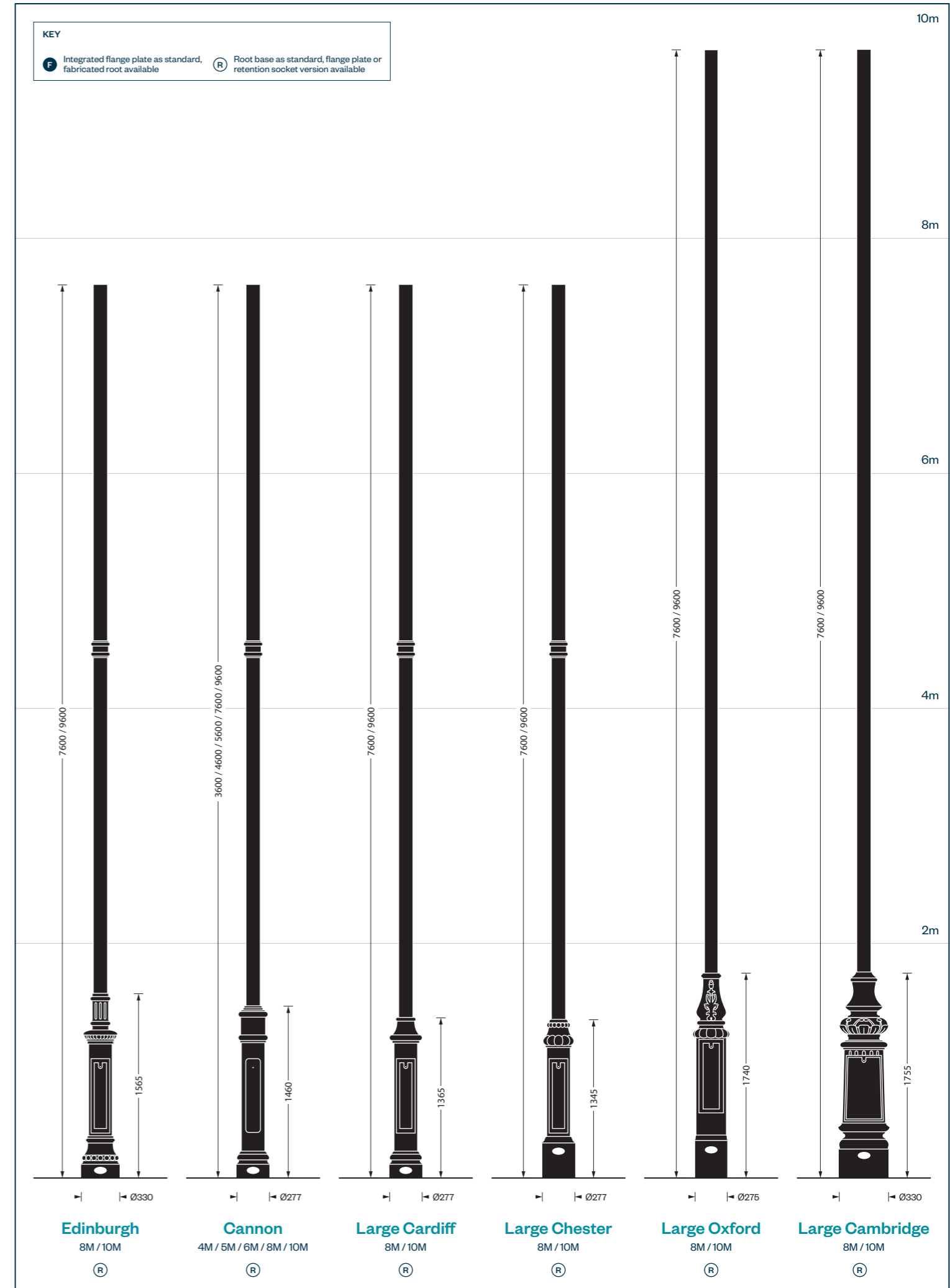
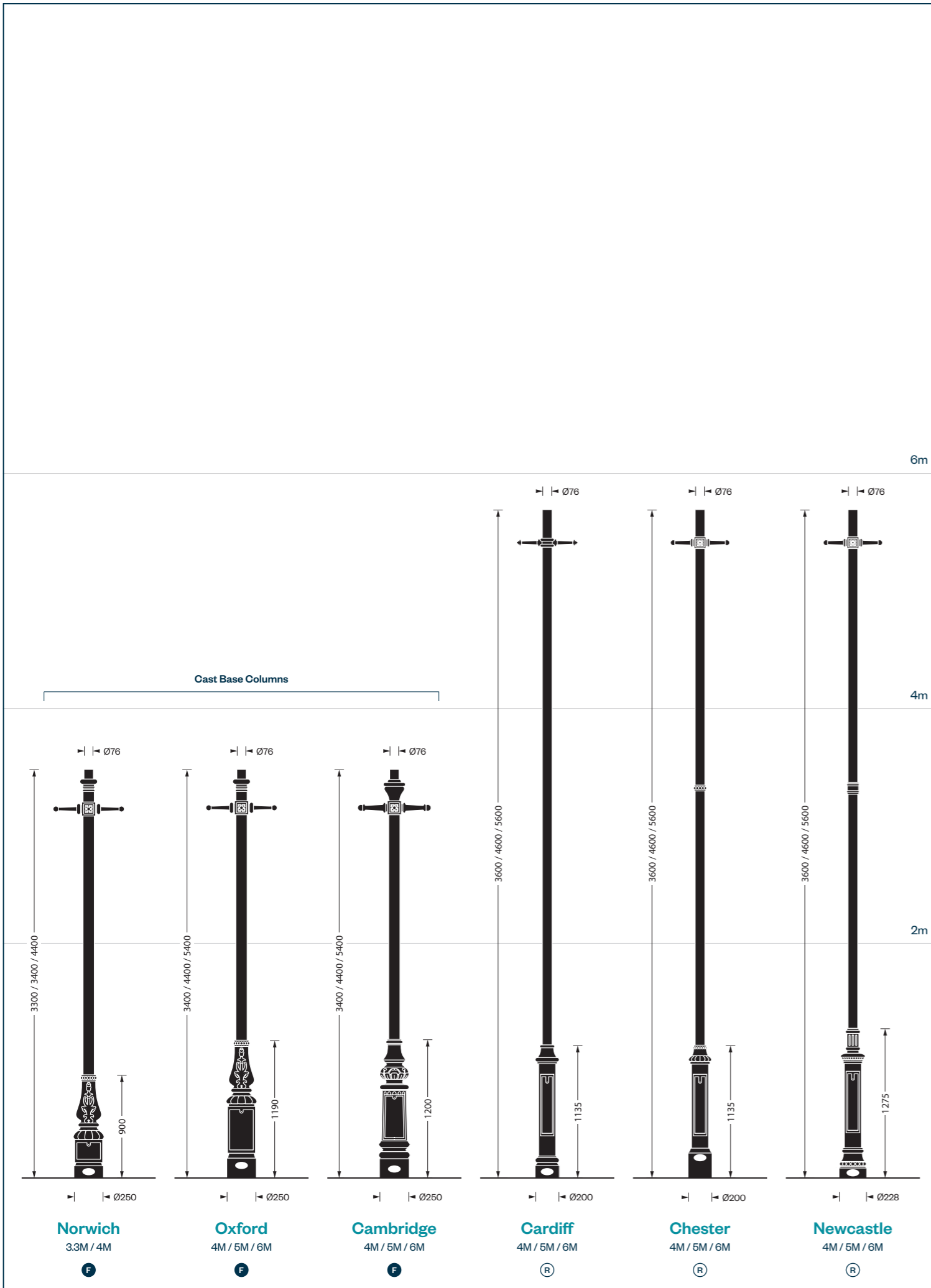
|          | Dimensions mm |     |     | kg  | lm/m <sup>2</sup> |
|----------|---------------|-----|-----|-----|-------------------|
|          | A             | B   | LS  |     |                   |
| Portland | 600           | 397 | 280 | 7.6 | 0.17              |

Pendant Mounting Options

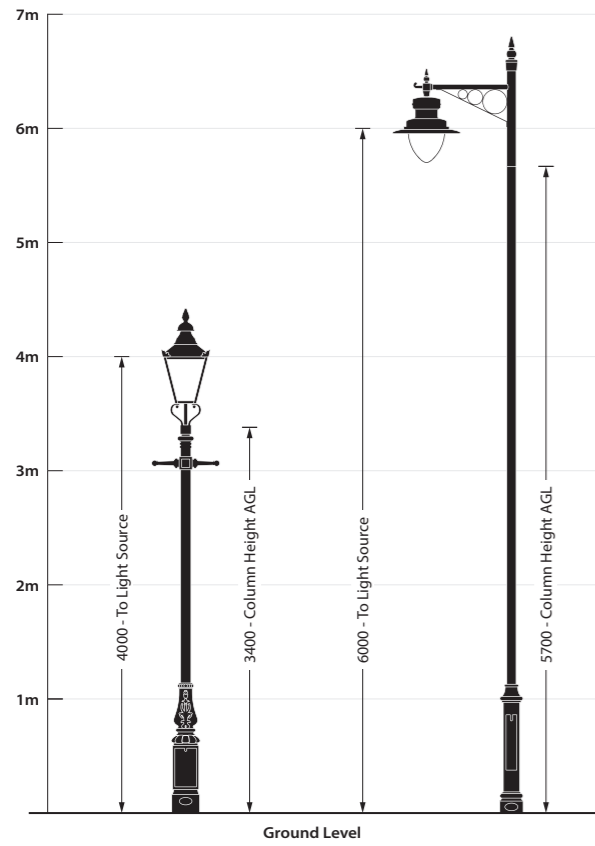
|               | Easy-Fit™ Entry (standard option) | Threaded Entry |         |        |
|---------------|-----------------------------------|----------------|---------|--------|
|               |                                   | 1½" BSP        | 1¼" BSP | 1" BSP |
| Strand A Plus | ●                                 | ○              |         |        |
| Strand A      | ●                                 |                | ○       |        |
| Strand B      | ●                                 |                |         | ○      |
| Strand C      | ●                                 |                |         | ○      |
| Ely A         | ●                                 |                | ○       |        |
| Ely B         | ●                                 |                |         | ○      |
| Ely C         | ●                                 |                |         | ○      |
| Iffley        | ●                                 |                |         | ○      |
| Berkeley      | ●                                 |                |         | ○      |
| Portland      | ●                                 |                |         | ○      |

**EASY-FIT™ ENTRY**  
Our proprietary mounting solution simplifies luminaire alignment and eliminates the problem of twisted cabling associated with threaded entries.

**KEY**  
 ● Easy-Fit™ Entry (standard option)  
 ○ Threaded Entry  
 DS DarkSky Approved option available  
 C Cast base option available for Windsor Street & Windsor Urban  
 U U bracket mounting option available



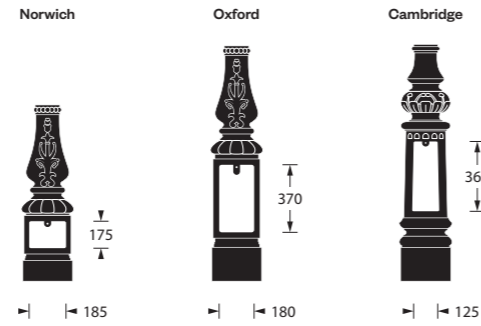
Height to Light Source vs Column Height



AGL Above Ground Level

Column Door Apertures

Cast Base Columns

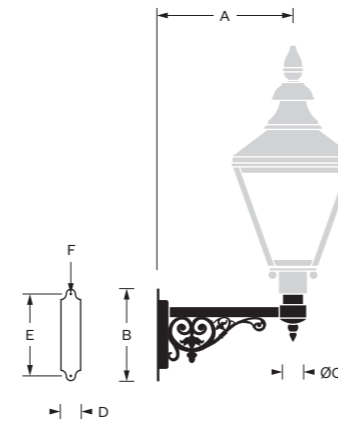


Embellished Columns



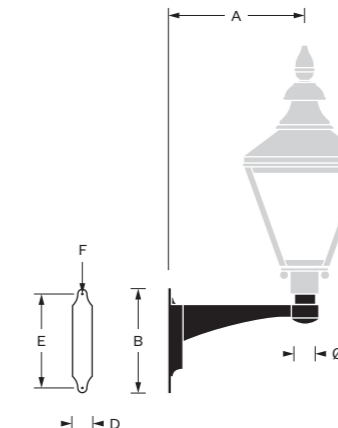
| Embellished Column Aperture Dimensions |                  |     |
|--|------------------|-----|
| Column Height<br>m                     | Dimensions<br>mm |     |
|  | A                | B   |
| 4m                                     | 500              | 100 |
| 5m                                     | 500              | 100 |
| 6m                                     | 600              | 115 |
| 8m                                     | 600              | 115 |
| 10m                                    | 600              | 115 |

Large Ornate  
POST TOP ENTRY



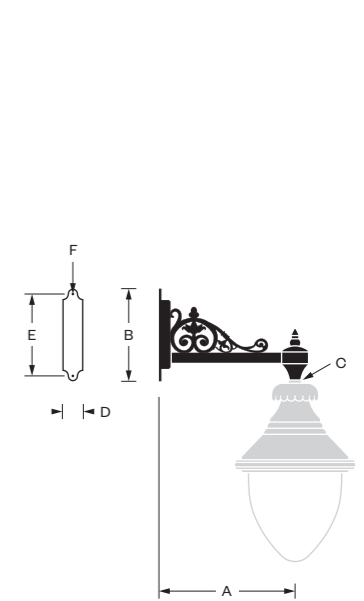
| Dimensions<br>mm |     |    |    |     |     | Hole Pitch<br>mm | Bolt<br>Ø |
|------------------|-----|----|----|-----|-----|------------------|-----------|
| A                | B   | C  | D  | E   | F   |                  |           |
| 450              | 310 | 76 | 70 | 275 | 8.5 |                  |           |

Large Plain Cast  
POST TOP ENTRY



| Dimensions<br>mm |     |    |    |     |     | Hole Pitch<br>mm | Bolt<br>Ø |
|------------------|-----|----|----|-----|-----|------------------|-----------|
| A                | B   | C  | D  | E   | F   |                  |           |
| 450              | 345 | 76 | 70 | 313 | 8.5 |                  |           |

Large Ornate Pendant  
TOP ENTRY

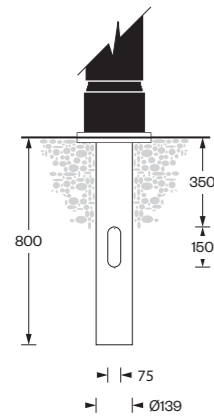


| Dimensions<br>mm |     |          |    |     |     | Hole Pitch<br>mm | Bolt<br>Ø |
|------------------|-----|----------|----|-----|-----|------------------|-----------|
| A                | B   | C        | D  | E   | F   |                  |           |
| 450              | 310 | 1/2" BPS | 70 | 275 | 8.5 |                  |           |

Root Details

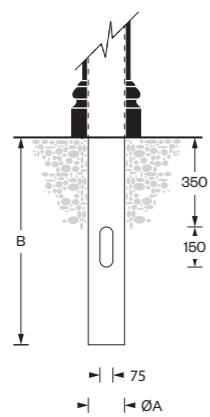
Cast Based Columns  
FABRICATED ROOT

Norwich, Oxford and Cambridge columns up to 6m



Embellished Columns  
INTEGRAL ROOT

All other columns



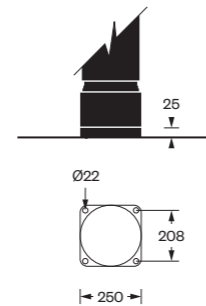
| Integral Root Dimensions |                  |      |
|--------------------------|------------------|------|
| Column Height<br>m       | Dimensions<br>mm |      |
|                          | A                | B    |
| 4m                       | 139              | 800  |
| 5m                       | 139              | 800  |
| 6m                       | 139              | 1000 |
| 8m                       | 193              | 1200 |
| 10m                      | 193              | 1500 |

**NOTE**  
Where underground obstructions prevent column placement, bespoke, cranked and off-set roots are available which bolt to column flange plate

Flange Plate Details

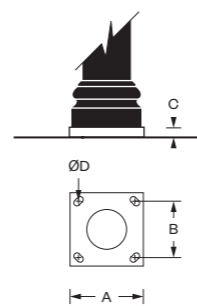
Cast Based Columns  
INTEGRATED FLANGE PLATE

Norwich, Oxford and Cambridge columns up to 6m



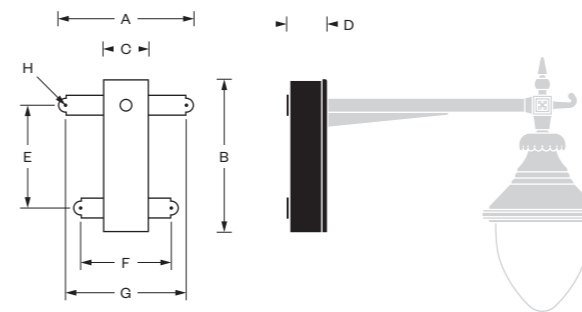
Embellished Columns  
FABRICATED FLANGE PLATE

All other columns



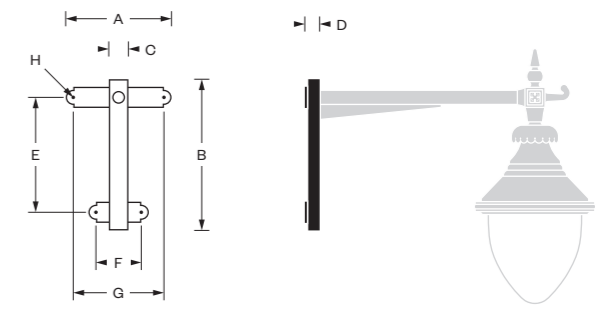
| Fabricated Flange Plate Dimensions |                  |     |    |         |        |
|------------------------------------|------------------|-----|----|---------|--------|
| Column Height<br>m                 | Dimensions<br>mm |     |    |         |        |
|                                    | A                | B   | C  | D       |        |
| 4m                                 | 260              | 200 | 15 | 22 x 38 | 283pcd |
| 5m                                 | 260              | 200 | 15 | 22 x 38 | 283pcd |
| 6m                                 | 260              | 200 | 15 | 22 x 38 | 283pcd |
| 8m                                 | 420              | 300 | 20 | 29 x 64 | 424pcd |
| 10m                                | 420              | 300 | 25 | 29 x 64 | 424pcd |

Wall Box Bracket



|               | Dimensions<br>mm |     |     |     | Hole Pitch<br>mm |     |     | Bolt<br>Ø |
|---------------|------------------|-----|-----|-----|------------------|-----|-----|-----------|
|               | A                | B   | C   | D   | E                | F   | G   |           |
| Standard Unit | 450              | 505 | 152 | 127 | 340              | 300 | 400 | 12        |
| Long Unit     | 450              | 600 | 152 | 127 | 440              | 300 | 400 | 12        |

Wall Channel Bracket

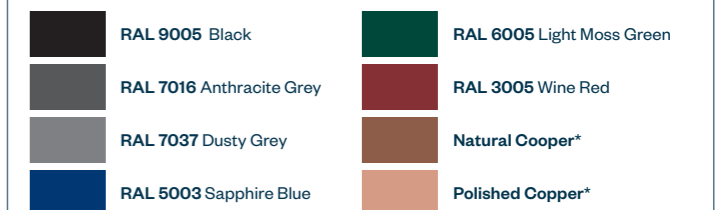


|        | Dimensions<br>mm |     |    |    | Hole Pitch<br>mm |     |     | Bolt<br>Ø |
|--------|------------------|-----|----|----|------------------|-----|-----|-----------|
|        | A                | B   | C  | D  | E                | F   | G   |           |
| Medium | 350              | 500 | 65 | 44 | 380              | 150 | 300 | 12        |
| Large  | 450              | 760 | 76 | 44 | 640              | 210 | 400 | 12        |

Wall Bracket Compatibility

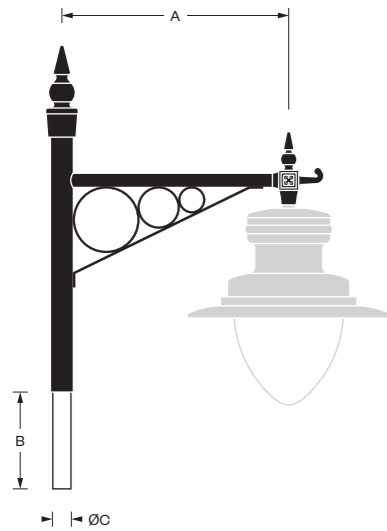
| Column Bracket style | Wall Channel Bracket size | Wall Box Bracket size | Maximum Projection mm |
|----------------------|---------------------------|-----------------------|-----------------------|
| Hoop Traditional     | Standard Unit             | Medium                | 1000                  |
| Scroll Traditional   | Standard Unit             | Medium                | 1000                  |
| Linear Traditional   | Standard Unit             | Medium                | 1000                  |
| Genus Traditional    | Long Unit                 | Large                 | 1000                  |
| Arc Scroll           | Long Unit                 | Large                 | 1000                  |
| Arc Plain            | Long Unit                 | Large                 | 1000                  |

Standard Finishes



\*Copper lanterns only

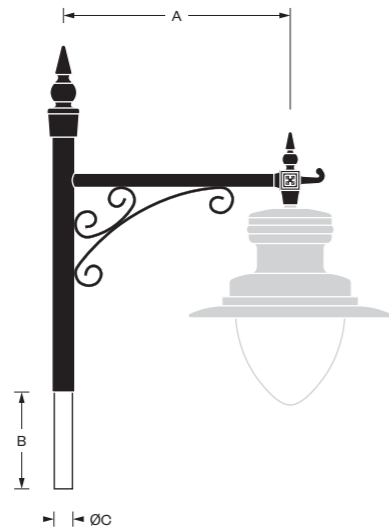
**Hoop Traditional**  
TOP ENTRY



Also available as a wall bracket version, see p. 6 (M)

| Shaft Size<br>Ø<br>mm | Available Projections<br>mm | Spigot Size<br>mm |     |
|-----------------------|-----------------------------|-------------------|-----|
|                       | A                           | B                 | C   |
| 76                    | 750 / 1000                  | 500               | 64  |
| 89                    | 750 / 1000 / 1250           | 500               | 76  |
| 114                   | 1000 / 1250 / 1500          | 500               | 95  |
| 139                   | 1000 / 1250 / 1500          | 500               | 120 |

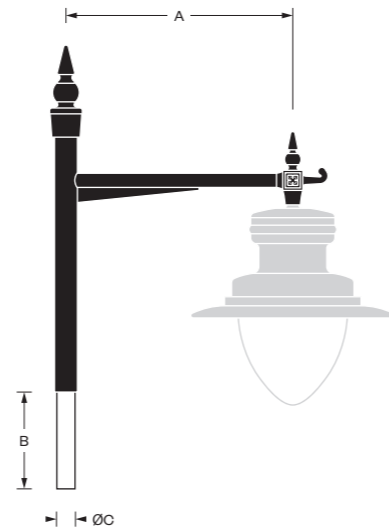
**Scroll Traditional**  
TOP ENTRY



Also available as a wall bracket version, see p. 6 (M)

| Shaft Size<br>Ø<br>mm | Available Projections<br>mm | Spigot Size<br>mm |     |
|-----------------------|-----------------------------|-------------------|-----|
|                       | A                           | B                 | C   |
| 76                    | 750 / 1000                  | 500               | 64  |
| 89                    | 750 / 1000 / 1250           | 500               | 76  |
| 114                   | 1000 / 1250 / 1500          | 500               | 95  |
| 139                   | 1000 / 1250 / 1500          | 500               | 120 |

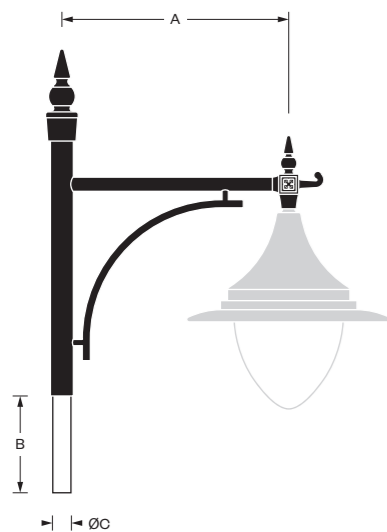
**Linear Traditional**  
TOP ENTRY



Also available as a wall bracket version, see p. 6 (M)

| Shaft Size<br>Ø<br>mm | Available Projections<br>mm | Spigot Size<br>mm |     |
|-----------------------|-----------------------------|-------------------|-----|
|                       | A                           | B                 | C   |
| 76                    | 500 / 750 / 1000            | 500               | 64  |
| 89                    | 500 / 750 / 1000            | 500               | 76  |
| 114                   | 750 / 1000 / 1250           | 500               | 95  |
| 139                   | 750 / 1000 / 1250           | 500               | 120 |

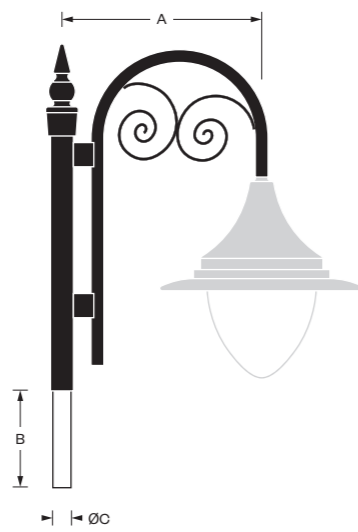
**Genus Traditional**  
TOP ENTRY



Also available as a wall bracket version, see p. 6 (M)

| Shaft Size<br>Ø<br>mm | Available Projections<br>mm | Spigot Size<br>mm |     |
|-----------------------|-----------------------------|-------------------|-----|
|                       | A                           | B                 | C   |
| 76                    | 750                         | 500               | 64  |
| 89                    | 750                         | 500               | 76  |
| 114                   | 750 / 1000                  | 500               | 95  |
| 139                   | 750 / 1000                  | 500               | 120 |

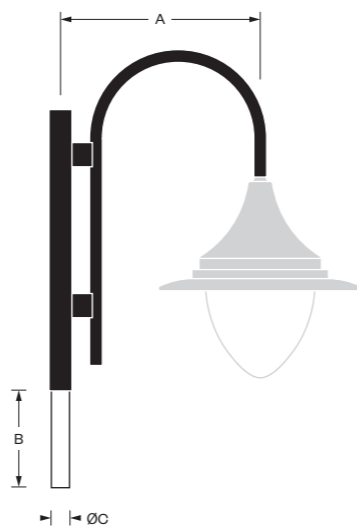
**Arc Scroll**  
TOP ENTRY



Also available as a wall bracket version, see p. 6 (M)

| Shaft Size<br>Ø<br>mm | Available Projections<br>mm | Spigot Size<br>mm |     |
|-----------------------|-----------------------------|-------------------|-----|
|                       | A                           | B                 | C   |
| 76                    | 650 / 850                   | 500               | 64  |
| 89                    | 650 / 850 / 1000            | 500               | 76  |
| 114                   | 850 / 1000 / 1250           | 500               | 95  |
| 139                   | 850 / 1000 / 1250           | 500               | 120 |

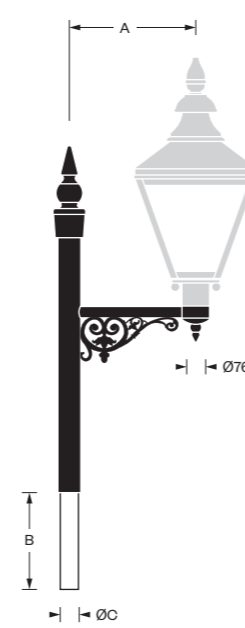
**Arc Plain**  
TOP ENTRY



Also available as a wall bracket version, see p. 6 (M)

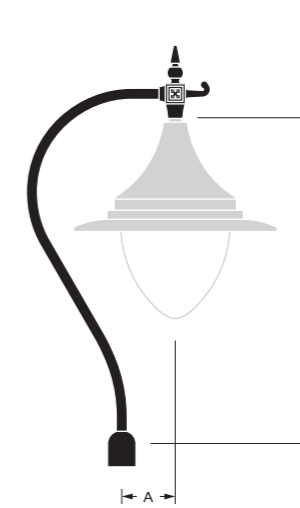
| Shaft Size<br>Ø<br>mm | Available Projections<br>mm | Spigot Size<br>mm |     |
|-----------------------|-----------------------------|-------------------|-----|
|                       | A                           | B                 | C   |
| 76                    | 650 / 850                   | 500               | 64  |
| 89                    | 650 / 850 / 1000            | 500               | 76  |
| 114                   | 850 / 1000 / 1250           | 500               | 95  |
| 139                   | 850 / 1000 / 1250           | 500               | 120 |

**Ornate**  
POST TOP ENTRY



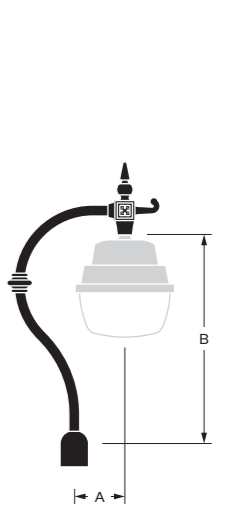
| Shaft Size<br>Ø<br>mm | Available Projections<br>mm | Spigot Size<br>mm |    |
|-----------------------|-----------------------------|-------------------|----|
|                       | A                           | B                 | C  |
| 76                    | 400                         | 500               | 64 |
| 89                    | 420                         | 500               | 76 |

**Swan Neck**  
TOP ENTRY



| Shaft Size<br>Ø<br>mm | Outreach from Column<br>mm | Height<br>mm |
|-----------------------|----------------------------|--------------|
|                       | A                          | B            |
| 76                    | 110                        | 1020         |
| 114                   | 100                        | 1600         |

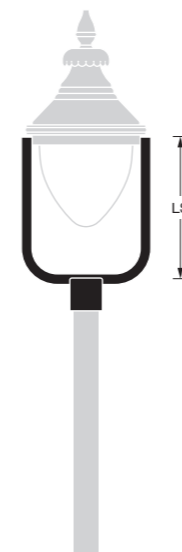
**Swan Neck Iffley**  
TOP ENTRY



| Shaft Size<br>Ø<br>mm | Outreach from Column<br>mm | Height<br>mm |
|-----------------------|----------------------------|--------------|
|                       | A                          | B            |
| 76                    | 170                        | 690          |

**U-Bracket Options**

**Portland / Berkeley**  
SQUARE U BRACKET



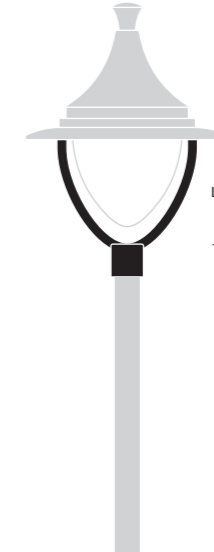
|          | Dimensions<br>mm |
|----------|------------------|
|          | LS               |
| Portland | 400              |
| Berkeley | 400              |

**Strand**  
SQUARE U BRACKET



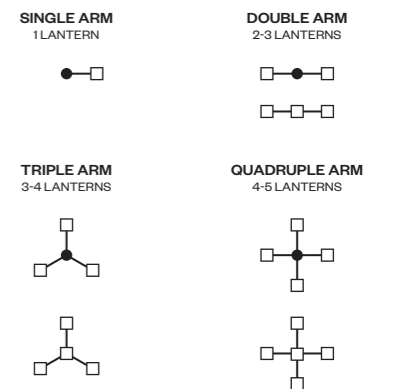
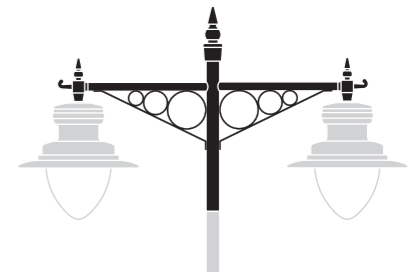
|          | Dimensions<br>mm |
|----------|------------------|
|          | LS               |
| Strand B | 450              |
| Strand C | 360              |

**Ely**  
TEAR DROP U BRACKET



|       | Dimensions<br>mm |
|-------|------------------|
|       | LS               |
| Ely B | 360              |
| Ely C | 350              |

**Multi-Arm Configurations**



KEY  
 (M) Available as multi-arm column bracket

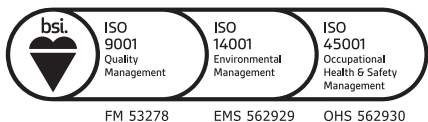


Light Engine Compatibility & CCT Options

|                     |                | Windsor Boulevard  | Windsor Street | Windsor Avenue | Windsor Urban | Lancaster | Knightsbridge Street | Knightsbridge Avenue | Westminster   | Pall Mall | Large Grey Wornum | Small Grey Wornum | York | Warwick | Waterford | Salisbury | Strand A Plus | Strand A | Strand B | Strand C | Ely A | Ely B | Ely C | Iffley | Berkeley | Portland |
|---------------------|----------------|--|----------------|----------------|---------------|-----------|----------------------|----------------------|---|-----------|-------------------|-------------------|------|---------|-----------|-----------|---------------|----------|----------|----------|-------|-------|-------|--------|----------|----------|
| <b>Light Source</b> | <b>LED Qty</b> |  |                |                |               |           |                      |                      |   |           |                   |                   |      |         |           |           |               |          |          |          |       |       |       |        |          |          |
| Performance LED     | 8              | ■  | ■              | ■              | ■             | ■         | ■                    | ■                    | ■   | ■         | ■                 | ■                 | ■    | ■       | ■         | ■         | ■             | ■        | ■        | ■        | ■     | ■     | ■     | ■      | ■        | ■        |
|                     | 16             | ■  | ■              | ■              | ■             | ■         | ■                    | ■                    | ■   | ■         | ■                 | ■                 | ■    | ■       | ■         | ■         | ■             | ■        | ■        | ■        | ■     | ■     | ■     | ■      | ■        | ■        |
|                     | 24             | ■  | ■              | ■              | ■             | ■         | ■                    | ■                    | ■   | ■         | ■                 | ■                 | ■    | ■       | ■         | ■         | ■             | ■        | ■        | ■        | ■     | ■     | ■     | ■      | ■        | ■        |
|                     | 32             | ■  | ■              | ■              | ■             | ■         | ■                    | ■                    | ■   | ■         | ■                 | ■                 | ■    | ■       | ■         | ■         | ■             | ■        | ■        | ■        | ■     | ■     | ■     | ■      | ■        | ■        |
|                     | 48             |  |                |                |               |           |                      |                      |   |           | ■                 |                   |      |         |           |           |               | ■        | ■        |          |       | ■     |       |        |          |          |
|                     | 64             | ■  |                |                |               |           |                      |                      |   |           | ■                 |                   |      |         |           |           |               | ■        | ■        |          |       | ■     |       |        |          |          |
| 96                  |                |  |                |                |               |           |                      |                      |   |           |                   |                   |      |         |           |           | ■             |          |          |          |       |       |       |        |          |          |
| Performance CoB     |                | ■  | ■              | ■              | ■             | ■         | ■                    | ■                    | ■   | ■         |                   |                   | ■    | ■       | ■         | ■         |               | ■        | ■        | ■        | ■     | ■     | ■     | ■      | ■        | ■        |
| Comfort CoB         |                | ■  | ■              | ■              | ■             | ■         | ■                    | ■                    | ■   | ■         |                   |                   | ■    | ■       | ■         | ■         |               |          | ■        | ■        |       | ■     | ■     | ■      | ■        | ■        |
| Gas Effect          |                | ■  | ■              | ■              |               | ■         | ■                    | ■                    | ■   | ■         |                   |                   |      |         |           |           |               |          |          |          |       |       |       |        | ■        | ■        |
|                     |                | 1800K  | 2200K          | 2400K          | 2700K         | 3000K     | 4000K                | TW                   | <b>COLOUR TEMPERATURE OPTIONS</b><br><span style="display: inline-block; width: 10px; height: 10px; background-color: #f4a460; border-radius: 50%; margin-right: 5px;"></span> 1800K <span style="display: inline-block; width: 10px; height: 10px; background-color: #f4a460; border-radius: 50%; margin-left: 20px; margin-right: 5px;"></span> 2200K <span style="display: inline-block; width: 10px; height: 10px; background-color: #f4a460; border-radius: 50%; margin-left: 20px; margin-right: 5px;"></span> 2400K <span style="display: inline-block; width: 10px; height: 10px; background-color: #f4a460; border-radius: 50%; margin-left: 20px; margin-right: 5px;"></span> 2700K<br><span style="display: inline-block; width: 10px; height: 10px; background-color: #fff9c4; border-radius: 50%; margin-right: 5px;"></span> 3000K <span style="display: inline-block; width: 10px; height: 10px; background-color: #bbdefb; border-radius: 50%; margin-left: 20px; margin-right: 5px;"></span> 4000K <span style="display: inline-block; width: 10px; height: 10px; background: linear-gradient(to right, #fff9c4, #bbdefb); border-radius: 50%; margin-left: 20px; margin-right: 5px;"></span> Tunable White (TW) |           |                   |                   |      |         |           |           |               |          |          |          |       |       |       |        |          |          |
| Performance LED     |                |  | ■              |                |               | ■         |                      | ■                    |   | ■         |                   | ■                 |      | ■       |           | ■         |               | ■        |          | ■        |       | ■     |       | ■      |          | ■        |
| Performance CoB     |                |  | ■              |                |               | ■         |                      | ■                    |   | ■         |                   | ■                 |      | ■       |           | ■         |               | ■        |          | ■        |       | ■     |       | ■      |          | ■        |
| Comfort CoB         |                |  | ■              |                |               | ■         |                      | ■                    |   | ■         |                   | ■                 |      | ■       |           | ■         |               | ■        |          | ■        |       | ■     |       | ■      |          | ■        |
| Gas Effect          |                | ■  |                |                |               | ■         |                      | ■                    |   | ■         |                   | ■                 |      | ■       |           | ■         |               | ■        |          | ■        |       | ■     |       | ■      |          | ■        |
|                     |                | <b>NOTE</b><br>For Performance LED, tunable white available in 32 LED version only |                |                |               |           |                      |                      |   |           |                   |                   |      |         |           |           |               |          |          |          |       |       |       |        |          |          |

Control Options

|                                  |               | Windsor Boulevard | Windsor Street | Windsor Avenue | Windsor Urban | Lancaster | Knightsbridge Street | Knightsbridge Avenue | Westminster | Pall Mall | Large Grey Wornum | Small Grey Wornum | York | Warwick | Waterford | Salisbury | Strand A Plus | Strand A | Strand B | Strand C | Ely A | Ely B | Ely C | Iffley | Berkeley | Portland |
|----------------------------------|---------------|-------------------|----------------|----------------|---------------|-----------|----------------------|----------------------|-------------|-----------|-------------------|-------------------|------|---------|-----------|-----------|---------------|----------|----------|----------|-------|-------|-------|--------|----------|----------|
| Integral CMS                     | Urban Control | ■                 | ■              | ■              | ■             | ■         | ■                    | ■                    | ■           | ■         | ■                 | ■                 | ■    | ■       | ■         | ■         | ■             | ■        | ■        | ■        | ■     | ■     | ■     | ■      | ■        | ■        |
|                                  | Telensa       | ■                 | ■              | ■              | ■             | ■         | ■                    | ■                    | ■           | ■         | ■                 | ■                 | ■    | ■       | ■         | ■         | ■             | ■        | ■        | ■        | ■     | ■     | ■     | ■      | ■        | ■        |
|                                  | Mayflower     | ■                 | ■              | ■              | ■             | ■         | ■                    | ■                    | ■           | ■         | ■                 | ■                 | ■    | ■       | ■         | ■         | ■             | ■        | ■        | ■        | ■     | ■     | ■     | ■      | ■        | ■        |
| Miniature Photocell              |               | ■                 | ■              | ■              | ■             | ■         | ■                    | ■                    | ■           | ■         | ■                 | ■                 | ■    | ■       | ■         | ■         | ■             | ■        | ■        | ■        | ■     | ■     | ■     | ■      | ■        | ■        |
| 4-pin Zhaga Book 18 socket (top) |               | ■                 | ■              | ■              | ■             | ■         | ■                    | ■                    | ■           | ■         | ■                 | ■                 | ■    | ■       | ■         | ■         | ■             | ■        | ■        | ■        | ■     | ■     | ■     | ■      | ■        | ■        |



FM 53278 EMS 562929 OHS 562930

**LUCECO** plc DW Windsor is part of the Luceco Group

DW Windsor

Pindar Road, Hoddesdon, Hertfordshire, EN11 ODX  
 +44 (0) 1992 474600 | info@dwwindsor.com  
 dwwindsor.com

DW Windsor is a Carbon Neutral company  
 © 2024 DW Windsor Ltd. All rights reserved.



MAY-2024-D  
 V1.4