

Heritage Lighting

Trusted solutions since 1976



Heritage Lighting

Heritage lighting covers a wide range of design eras, from traditional Victorian lanterns to more contemporary mid-century luminaires. Choosing an authentically designed product that is sympathetic to the aesthetics of the location is therefore key.

Today's period-style solutions boast classic aesthetics to protect the look and feel of heritage areas, while also delivering the performance and energy efficiency benefits required of modern lighting applications.

Authentic styling and attention to detail is incredibly important to preserve charm and character, and care must be paid to not just the style of lighting, but the individual components such as the lanterns, columns and mountings.

This brochure serves as a guide to selecting the right heritage lighting solution for your next scheme.

Contents

Our approach to heritage lighting	3
Heritage luminaires	11
DarkSky Approved lanterns	33
Light engines & control options	39
Heritage columns & brackets	49
Restoration & replica work	59

Often imitated, never bettered

As a trusted British brand for over 45 years, DW Windsor has established itself as a leading provider of heritage lighting solutions. With a rich heritage of skills and expertise, we are powered by people committed to delivering outstanding products and services.

Period styling is at the heart of our heritage lighting range, spanning from traditional Victorian style lanterns with authentic detailing and ornate embellishments, to contemporary luminaires from more recent times.

Throughout our range, you will discover classic styling and superior quality, all combined with the latest technology to deliver unparalleled efficiency and performance.



Bespoke lanterns (1980)
Covent Garden Market, London



Craftsmanship meets innovation

Quality and craftsmanship of the highest calibre are apparent throughout our heritage range. Our lanterns are handmade using high quality materials and a blend of traditional and modern construction techniques to ensure product robustness and longevity.

We continually strive for innovation in the design and performance characteristics of our products. Accurate measurement and reliable testing are the foundation of our product development activities.

DW Windsor has one of the most comprehensive lighting laboratories in the UK and are continually investing in the latest equipment to ensure customers can be confident in the quality and performance of our products.

Uncompromising attention to detail

Authenticity and our commitment to accuracy are the foundations on which our heritage lighting range is built. We take great care in ensuring our luminaires retain the aesthetics and proportions of the original period lanterns, without compromising on quality.

Our ability to deliver timeless designs with authentic styling and a meticulous attention to detail has helped DW Windsor establish itself as a leading provider of heritage lighting solutions.

From the choice of material to individual design features, every detail has been carefully considered to ensure our lanterns deliver on performance while preserving the charm and elegance of the lanterns on which they are based.



Refurbished lanterns
Battersea Bridge, London



Windsor Street lantern on Oxford column
Adjacent to St Paul's Cathedral, London

Classic design, modern technology

Advances in LED technology have meant that in addition to higher quality light, customers can also reduce costs and make energy savings, as well as take advantage of new opportunities in both luminaire design and functionality.

The convergence of lighting and intelligent control systems has also opened up new possibilities in terms of light management, helping to deliver the right light at the right time. This results in more sustainable solutions which conserve energy while minimising their impact on the natural world.

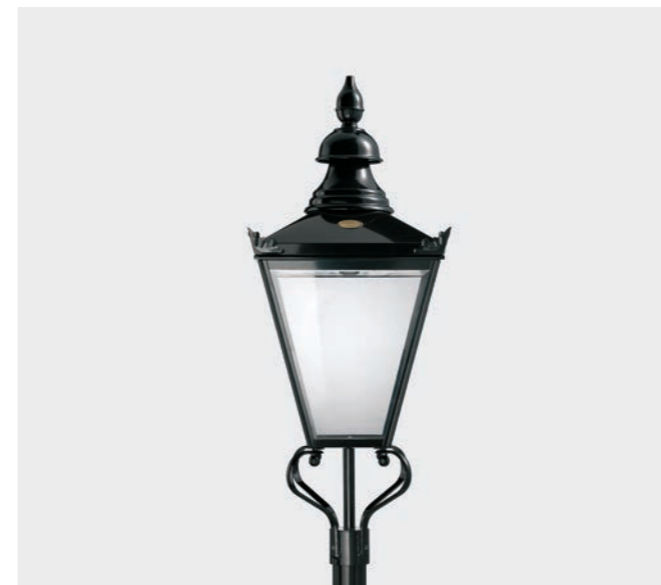
We offer a broad selection of heritage luminaires that blend traditional design with advanced features, providing specifiers with the tools needed to create effective night-time illumination.

Heritage luminaires

Our Heritage lighting range offers traditional styling and craftsmanship, with superior light quality and energy efficiency from the latest LED technology. Timeless, authentic designs and award-winning optical performance make our heritage lanterns ideal for a wide range of applications from residential to public realm.



Windsor Street
Blackfriars, London



Windsor

Our signature lantern



Windsor combines timeless design and award-winning optical performance to deliver a superior quality of light. Handcrafted in copper using traditional methods, Windsor features our latest LED technology whilst preserving the elegance of the original gas lantern.

Windsor is offered in three sizes - Avenue, Street or Boulevard and is recommended for mounting up to ten metres. Available in our standard RAL colours plus natural or lacquered copper finishes.

Product Details

- Construction:** Handcrafted copper body
Injection moulded polycarbonate bowl
- Finish:** Polyester powder coat
Marine-grade coating option
Natural copper
Polished & lacquered copper
- Base:** Traditional frog [standard]
Cast base¹
- Mounting:** Post top Ø76mm
Wall bracket
- Accessories:** Various light shield options

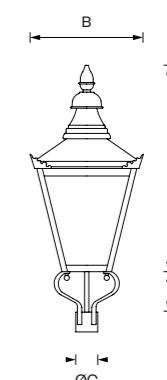
Colour Options:
(other colours available on request)



¹ Windsor Street only
² Class II on request

Key Features

- The truest reflection of a Victorian gas lantern design with authentic styling features
- Manufactured from corrosion-resistant copper, offering incredible longevity
- High-quality, injection moulded polycarbonate bowl for glass-like clarity¹
- Also available with thermally toughened glass glazing panels for increased authenticity



	Height m	Dimensions mm				Weight kg	Windage m ²
		A	B	C	D		
Windsor Boulevard	6 - 10	1005	495	76	188	12.3	0.54
Windsor Street	4 - 8	833	440	76	188	10.3	0.40
Windsor Avenue	3 - 4	745	390	76	119	8.3	0.31



Windsor Urban

A modern classic



Inspired by our flagship lantern, Windsor Urban is a traditionally styled luminaire engineered for the modern world. Constructed from durable aluminium and offered with a streamlined feature set, Windsor Urban offers reliable performance with a low whole life cost.

Windsor Urban is ideal for large scale projects and is recommended for mounting up to eight metres. Available in our standard black finish with other RAL colours available on request.

Product Details

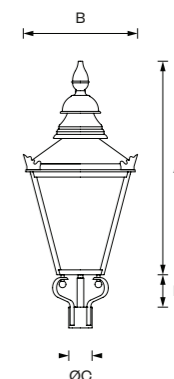
- Construction:** Aluminium body
Injection moulded polycarbonate bowl
- Finish:** Polyester powder coat
Marine-grade coating option
- Base:** Traditional frog [standard]
Cast base
- Mounting:** Post top Ø76mm
Wall bracket
- Accessories:** Various light shield options

Colour Options:
(other colours available on request)



Key Features

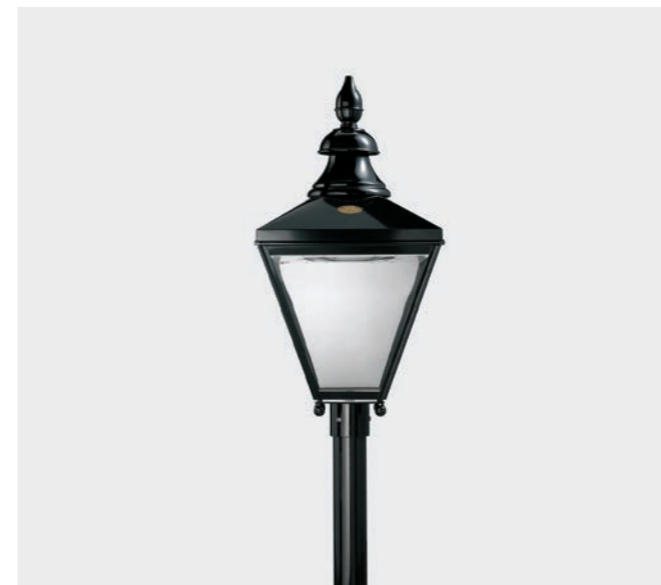
- Classically proportioned heritage-style lantern with a streamlined feature set
- High performance LED luminaire with a low total cost of ownership
- Durable aluminium construction with an injection moulded bowl for glass-like clarity
- Easy to install and maintain thanks to toolless entry via the hinged, sealed canopy



	Height m	Dimensions mm				Weight kg	Windage m ²
		A	B	C	D		
Windsor Urban	4-8	825	417	76	119	7.9	0.40



Lancaster
Dirleton, East Lothian



Lancaster

Refined simplicity



Our Lancaster luminaire is a simple, elegant take on a classic heritage lantern. Constructed from copper and featuring a stripped back, angular design which mounts directly onto the top of a column, Lancaster offers maximum performance with minimum fuss.

Lancaster features toolless access for easy maintenance and is recommended for mounting up to six metres. Available in our standard RAL colours plus natural or lacquered copper finishes.

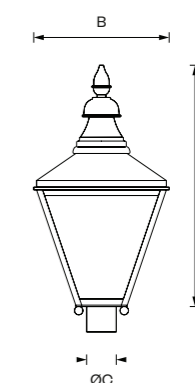
Key Features

- A traditional heritage lantern for the 21st century, featuring a simplified, angular design
- Manufactured from corrosion-resistant copper, for increased durability
- Mounts directly to the column via a spigot plate resulting in a more compact profile
- Toolless maintenance via hinged, sealed canopy with retaining stay and slide latches

Product Details

- Construction:** Handcrafted copper body
Polycarbonate bowl
- Finish:** Polyester powder coat
Marine-grade coating option
Natural copper
Polished & lacquered copper
- Base:** Spigot plate
- Mounting:** Post top Ø76mm
Wall bracket
- Accessories:** Various light shield options

Colour Options:
(other colours available on request)



	Height m	Dimensions mm			Weight kg	Windage m ²
		A	B	C		
Lancaster	4-6	725	410	76	12.5	0.35

¹ Class II on request



Knightsbridge
Poundbury, Dorset

Knightsbridge

Statement lighting



Our six-sided Knightsbridge luminaire inspired by traditional Victorian designs has beautifully proportioned features and real presence at any height. Hand crafted in copper, Knightsbridge can be column or bracket-mounted to suit a range of applications and locations.

Knightsbridge is offered in two sizes - Avenue or Street, and is recommended for mounting up to eight metres. Available in our standard RAL colours plus natural or lacquered copper finishes.

Product Details

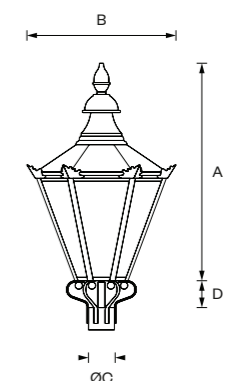
- Construction:** Handcrafted copper body
Clear polycarbonate glazing
- Finish:** Polyester powder coat
Marine-grade coating option
Natural copper
Polished & lacquered copper
- Base:** Traditional frog
- Mounting:** Post top Ø76mm
Wall bracket
- Accessories:** Various light shield options

Colour Options:
(other colours available on request)



Key Features

- Distinctive six-sided lantern design for added presence in any setting
- Handcrafted from corrosion-resistant copper, offering incredible longevity
- Clear polycarbonate glazing for improved performance and increased ingress protection
- Angled corner leaves and traditional dome set to mimic original gas lantern designs

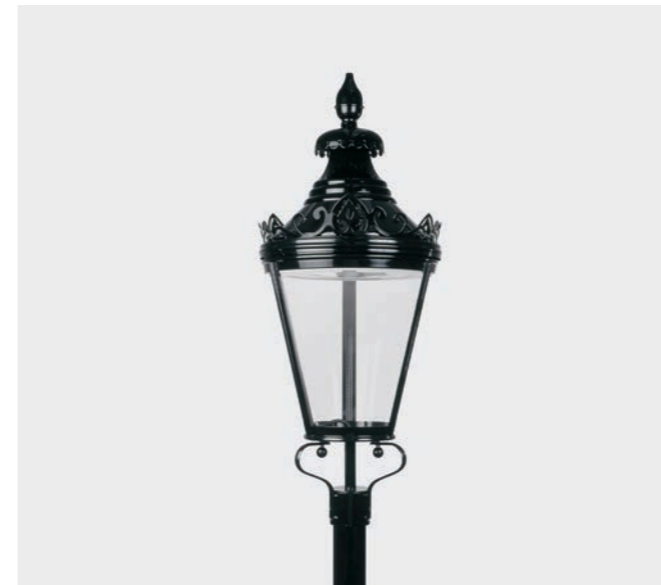


	Height m	Dimensions mm				Weight kg	Windage m ²
		A	B	C	D		
Knightsbridge Street	4 - 8	890	610	76	105	12.5	0.32
Knightsbridge Avenue	3 - 4	741	510	76	110	10.5	0.28

¹ Class II on request



Westminster
Belgravia, London



Westminster & Pall Mall

Decorative and discreet



Westminster and Pall Mall are inspired by lanterns first seen in Royal Parks and Regency period developments. Both luminaires feature a single-piece glazing cone and decorative dome set, with Westminster also sporting an ornate coronet for a more traditional appearance.

Westminster and Pall Mall are manufactured from copper and are recommended for mounting up to six metres. Available in our standard RAL colours plus natural or lacquered copper finishes.

Product Details

- Construction:** Handcrafted copper body
Polycarbonate one-piece glazing cone
Aluminium coronet¹
- Finish:** Polyester powder coat
Marine-grade coating option
Natural copper¹
Polished & lacquered copper
- Base:** Traditional frog
- Mounting:** Post top Ø76mm
Wall bracket
- Accessories:** Various light shield options

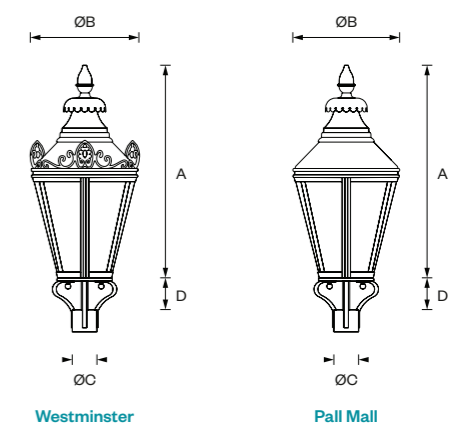
Colour Options:
(other colours available on request)



¹ Coronet painted on Westminster
² Class II on request

Key Features

- Elegant conical aesthetic inspired by the original Victorian lanterns found in Royal Parks
- Handcrafted in copper with a decorative dome set and signature DW Windsor name plate
- One-piece polycarbonate glazing for improved ingress protection and added durability
- Perfectly suited to historic locations that require high performance illumination



	Height m	Dimensions mm				Weight kg	Windage m ²
		A	B	C	D		
Westminster	3-6	787	420	76	115	10.5	0.20
Pall Mall	3-6	787	397	76	115	10.2	0.20



Berkeley
Bishopsgate, London



Berkeley & Portland

Historical splendour



Berkeley and Portland are the perfect solution for historic locations that demand 21st century luminaire performance. Both lanterns feature a decorative canopy design and tear drop glazing, with Berkeley also crowned by an ornamental coronet suited to more traditional settings.

Berkeley and Portland are manufactured from copper and are recommended for mounting up to six metres. Available in our standard RAL colours plus natural or lacquered copper finishes.

Product Details

Construction: Handcrafted copper body
Polycarbonate tear drop bowl
Aluminium coronet¹

Finish: Polyester powder coat
Marine-grade coating option
Natural copper¹
Polished & lacquered copper

Mounting: Pendant
Post top Ø76mm
- U bracket
Wall bracket

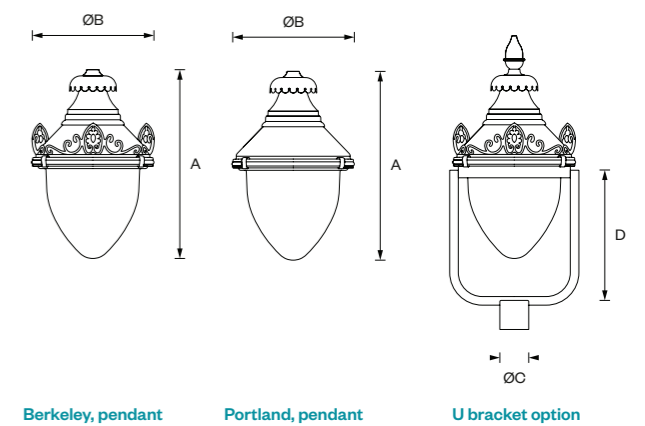
Accessories: Various light shield options

Colour Options:
(other colours available on request)



Key Features

- Elegantly designed, traditional lantern with U bracket or pendant mounting
- Handcrafted in copper and offered with or without an ornate coronet
- Polycarbonate tear drop glazing for improved ingress protection and added durability
- Can be specified with our Easyfit™ entry connector for ease of installation



	Height m	Dimensions mm				Weight kg	Windage m ²
		A	B	C	D		
Berkeley	4-6	600	428	76	400	7.9	0.17
Portland	4-6	600	397	76	400	7.6	0.17

¹ Coronet painted on Berkeley
² Class II on request



Strand
Poundbury, Dorset



Strand

A versatile pendant



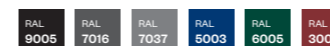
One of our most popular heritage luminaires, Strand is inspired by traditional railway gas lanterns. Easy to install and maintain, Strand can be bracket or column-mounted and is suitable for a wide range of applications from residential areas to main roads and city centres.

Strand is offered in four equally proportioned sizes - A Plus, A, B and C, and is recommended for mounting up to ten metres. Available in our standard RAL colours.

Product Details

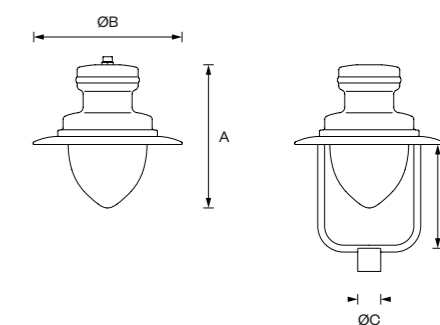
- Construction:** Spun aluminium body
Injection moulded polycarbonate bowl
- Finish:** Polyester powder coat
Marine-grade coating option
- Mounting:** Pendant
Post top Ø76mm
- U bracket
Wall bracket
- Accessories:** Various light shield options

Colour Options:
(other colours available on request)



Key Features

- Traditional pendant luminaire suited to both period and contemporary locations
- Can be specified with our Easyfit™ entry connector for ease of installation
- Multiple column and bracket mounting options, including a square U bracket version
- Exceptional ease of maintenance via stainless steel quick release latches



	Height m	Dimensions mm				Weight kg	Windage m ²
		A	B	C	D		
Strand A Plus	8 - 10	870	900	-	-	18.0	0.35
Strand A	8 - 10	643	670	-	-	11.5	0.19
Strand B	5 - 8	575	585	76	450	8.5	0.15
Strand C	3 - 4	498	480	76	360	5.5	0.11

¹ Class II on request



Ely
Greenhithe, Kent



Ely

A contemporary classic



A traditionally proportioned lantern with a clean profile and elegant canopy design, Ely offers the performance and flexibility of our Strand luminaire but redesigned to sit comfortably within a broad range of architectural locations and applications.

Ely is manufactured from aluminium and offered in three equally proportioned sizes - A, B and C, and is recommended for mounting up to ten metres. Available in our standard RAL colours.

Product Details

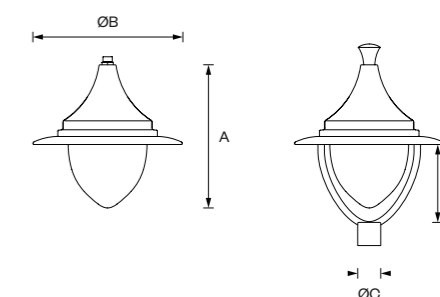
- Construction:** Spun aluminium body
Injection moulded polycarbonate bowl
- Finish:** Polyester powder coat
Marine-grade coating option
- Mounting:** Pendant
Post top Ø76mm
- U bracket
Wall bracket
- Accessories:** Various light shield options

Colour Options:
(other colours available on request)



Key Features

- Timeless design luminaire featuring a wide brim to eliminate upward light
- Can be specified with our Easyfit™ entry connector for ease of installation
- Multiple column and bracket mounting options, including a tear drop U bracket version
- Exceptional ease of maintenance via stainless steel quick release latches



Ely, pendant

U bracket option

	Height m	Dimensions mm				Weight kg	Windage m ²
		A	B	C	D		
Ely A	8 - 10	638	670	-	-	11.5	0.17
Ely B	5 - 8	575	585	76	360	8.5	0.14
Ely C	3 - 4	489	480	76	350	5.5	0.10

¹ Class II on request



Iffley
Stewartby, Bedfordshire



Iffley

A mid-century icon



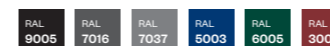
With its classic mid-century design and a unique swan neck mounting, Iffley is an attractive solution for rural or suburban settings. Manufactured from spun aluminium with stainless steel over-centre latches, Iffley is long-lasting and easy to maintain.

Iffley features a compact, stepped canopy design with a simple curved glazing bowl, and is recommended for mounting up to six metres. Available in our standard RAL colours.

Product Details

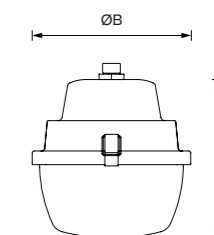
- Construction:** Spun aluminium body
Polycarbonate glazing bowl
- Finish:** Polyester powder coat
Marine-grade coating option
- Mounting:** Pendant
- Accessories:** Various light shield options

Colour Options:
(other colours available on request)



Key Features

- Compact, pendant luminaire inspired by mid 20th century era lantern designs
- Features a simple, stepped profile, suited to more modern rural or suburban locations
- Offered with a bespoke swan neck mounting option to complement Iffley's smaller design
- Exceptional ease of maintenance via stainless steel over-centre latches



	Height m	Dimensions mm		Weight kg	Windage m ²
		A	B		
Iffley	3-6	320	324	4.9	0.09

¹ Class II on request



York
Luss, Argyll



Warwick & York

Elegance personified



Warwick and York are compact, post top lanterns that combine elegance and performance, fitting perfectly into a variety of settings – from housing developments to amenity areas. Both luminaires feature a classic conical canopy, with Warwick also adorned by a decorative coronet.

Warwick and York are manufactured from durable aluminium with polycarbonate glazing and recommended for mounting up to six metres. Available in our standard RAL colours.

Product Details

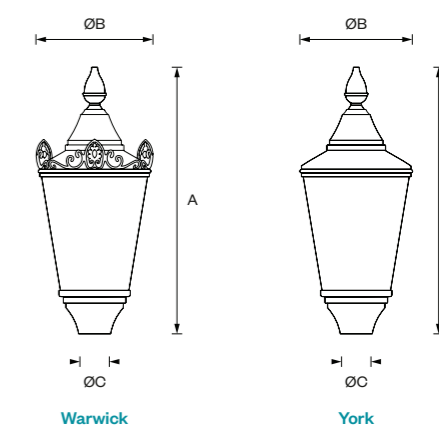
- Construction:** Spun aluminium canopy
Cast aluminium base
Clear polycarbonate glazing cone
- Finish:** Polyester powder coat
Marine-grade coating option
- Base:** Cast base
- Mounting:** Post top Ø76mm
Wall bracket
- Accessories:** Various light shield options

Colour Options:
(other colours available on request)



Key Features

- Highly versatile, conical lantern offered with a choice of traditional canopy styles
- Mounts directly to the column via a cast base resulting in a compact profile
- Single-piece clear polycarbonate glazing for added ingress protection and durability
- Perfectly suited for new developments and upgrading existing schemes



	Height m	Dimensions mm			Weight kg	Windage m ²
		A	B	C		
Warwick	3-6	778	345	76	9.4	0.15
York	3-6	778	323	76	9.4	0.14

DarkSky[®] Approved Luminaires

DW Windsor is committed to supporting responsible lighting practices by delivering the right light, in the right place, at the right time. To combat light pollution and help protect biodiversity, DW Windsor now offers DarkSky Approved versions of our most popular heritage lanterns designed to preserve the nighttime environment.



Windsor DS

Considerate lighting



Often imitated, never bettered, our signature luminaire, Windsor, combines timeless design with award-winning optical performance. Handcrafted from copper using traditional methods, Windsor DS is a Dark Sky version of this traditional lantern.

Windsor DS is offered with our Performance LED light engine and can be specified with 3000K or 2700K colour temperatures and a range of control options to support Dark Sky schemes.

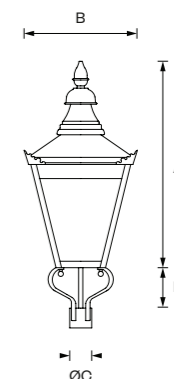
Key Features

- The truest reflection of a Victorian gas lantern design with authentic styling features
- Manufactured from corrosion-resistant copper, offering incredible longevity
- Can be specified with a range of controls, including integral CMS and via a Zhaga socket
- Features flat glass glazing to deliver a 0% upward light output ratio (ULOR)

Product Details

- Construction:** Handcrafted copper body
Toughened glass glazing
- Finish:** Polyester powder coat
Marine-grade coating option
Natural copper
Polished & lacquered copper
- Base:** Traditional frog [standard]
Cast base
- Mounting:** Post top Ø76mm
Wall bracket
- Accessories:** Light shield option

Colour Options:
(other colours available on request)



	Height m	Dimensions mm				Weight kg	Windage m ²
		A	B	C	D		
Windsor DS	4-8	833	440	76	188	10.0	0.22

² Class II on request



Strand DS

Responsible illumination



One of our most popular heritage products, Strand's design is inspired by traditional railway gas lanterns. Now reimagined for DarkSky lighting applications including high streets and pedestrian areas, Strand DS features flat glass glazing and can be wall or column-mounted.

Strand DS is offered with our Performance LED light engine and can be specified with 3000K or 2700K colour temperatures and a range of control options to support Dark Sky schemes.

Product Details

- Construction:** Spun aluminium body
Toughened glass glazing
- Finish:** Polyester powder coat
Marine-grade coating option
- Mounting:** Pendant
Post top Ø76mm
- U bracket
Wall bracket
- Accessories:** Light shield option

Colour Options:
(other colours available on request)



² Class II on request



Ely DS

Conscientious luminosity



With its classic design and elegant proportions, our Ely lantern is suited to both traditional and modern architectural locations. Ely DS features flat glass glazing for DarkSky applications and can be wall or column-mounted for ultimate flexibility.

Ely DS is offered with our Performance LED light engine and can be specified with 3000K or 2700K colour temperatures and a range of control options to support Dark Sky schemes.

Product Details

- Construction:** Spun aluminium body
Toughened glass glazing
- Finish:** Polyester powder coat
Marine-grade coating option
- Mounting:** Pendant
Post top Ø76mm
- U bracket
Wall bracket
- Accessories:** Light shield option

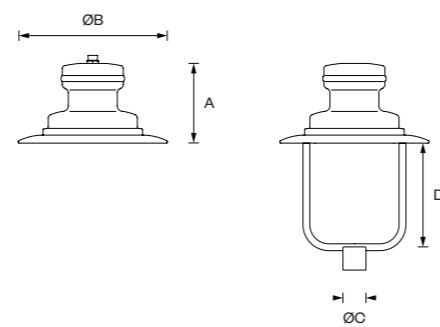
Colour Options:
(other colours available on request)



² Class II on request

Key Features

- Can be specified with our Easyfit™ entry connector for ease of installation
- Multiple column and bracket mounting options, including a square U bracket version
- Can be specified with a range of controls, including integral CMS and via a Zhaga socket
- Features flat glass glazing to deliver a 0% upward light output ratio (ULOR)



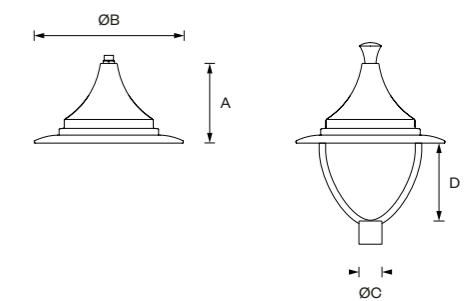
Strand DS, pendant

U bracket option

	Height m	Dimensions mm				Weight kg	Windage m ²
		A	B	C	D		
Strand DS	4-8	315	685	76	188	5.7	0.097

Key Features

- Can be specified with our Easyfit™ entry connector for ease of installation
- Multiple column and bracket mounting options, including a teardrop U bracket version
- Can be specified with a range of controls, including integral CMS and via a Zhaga socket
- Features flat glass glazing to deliver a 0% upward light output ratio (ULOR)



Ely DS, pendant

U bracket option

	Height m	Dimensions mm				Weight kg	Windage m ²
		A	B	C	D		
Ely DS	4-8	315	685	76	188	5.7	0.097

Downing Street

Case study

To support the City of Westminster's long-term carbon reduction strategy, the original lamped DW Windsor lanterns located outside 10 Downing Street required upgrading to LED.

To reduce energy usage, while improving the quality and uniformity of the street lighting in the area, the City of Westminster approached DW Windsor for a solution. The scheme required high quality, heritage luminaires suited to the surrounding architecture that also provided access for maintenance and compatibility with security and media cameras, while also ensuring that the lighting was acceptable for the residents.

Windsor Street lanterns were specified with 3000K Performance LED light engines, maintaining lighting levels while halving energy usage. In addition, CMS integration allowed for remote monitoring and management, offering further potential savings.

"When the Downing Street lighting became due for an upgrade, it was an opportunity to significantly reduce our lifecycle costs and minimise maintenance, which was achieved by converting to LED."

— Asset Manager, City of Westminster



Light engines & control options

Night-time illumination is a necessity of modern life in many urban settings. The right exterior lighting can make an environment feel safer and more welcoming, enhance the impact of architecture and even positively influence behaviour. At DW Windsor, we offer a range of LED light engines and control options to ensure the right light is used, at the right time, in the right place.

LED light engines



Performance LED

Modular LED light engine with high power LEDs and performance optics providing optimal efficacy and optical flexibility for maximised energy savings.

Lumen Range¹
980 – 25,000 lm

Power Range¹
6 – 198 W

Available Optics
14

Distribution Options
A / B / C / Z Diamond+ optics

Colour Temperature
2200K / 2700K / 3000K / 4000K / Tunable White



Comfort CoB[®]

Low glare, single-source LED light engine featuring a glass dome refractor for increased visual comfort and a more traditional appearance.

Lumen Range
950 – 3,100 lm

Power Range
10 – 40 W

Available Optics
1

Distribution Options
Symmetric

Colour Temperature
2200K / 2700K / 3000K



Performance CoB

Chip on board (CoB) LED light engine closer in appearance to a lamp, offering high performance distributions from a single light source.

Lumen Range
2,285 – 7,500 lm

Power Range
13 – 54 W

Available Optics
4

Distribution Options
A / B / C / D Diamond+ optics

Colour Temperature
2200K / 2700K / 3000K / 4000K



Gas Effect

Braun[®] LED solutions, by DW Windsor, offers an authentic gas mantle aesthetic while harnessing the energy and maintenance saving benefits of LED.

Lumen Range
350 – 3,500 lm

Power Range
3 – 54 W

Available Optics
1

Distribution Options
Symmetric only

Colour Temperature
1800K / 2400 / 2700K / 3000K

¹ Lumen output and wattage ranges vary by product. Refer to Heritage Lighting Specification Guide and photometric files for more information.

Tunable white lighting

At DW Windsor, we aim to give designers the tools they need to tackle the ongoing challenges of balancing the safety of pedestrians and road users with light pollution and the impact on biodiversity.

Our Heritage lighting range can now be specified with Tunable White technology, providing a flexible, dynamic solution for night-time illumination. By adjusting the luminaire's colour temperature and brightness throughout the night, the innovative system can improve visual comfort, offering a sense of security while also minimising the impact on flora and fauna.

The system is easily and securely configured via Bluetooth using a smart device, either by directly setting the desired CCT and brightness or creating time-based scenes to dynamically change during the hours of darkness.

Key Features

- Dynamic system provides a sense of security whilst improving visual comfort
- Two transition options 3000K - 2200K and 4000K - 2700K
- Cooler colour temperatures provide better visibility during peak activity hours
- Warmer colour temperatures and low intensities minimise the impact on wildlife





Windsor Street lantern with CMS
University of Glasgow, Lanarkshire

Lighting control solutions

Lighting controls can greatly enhance any environment in which they are installed, offering many benefits, from increased flexibility to helping lower energy usage. We offer a range of solutions from simple to advanced, designed for a variety of applications.

Stand-alone Controls

Direct control in its simplest form, stand-alone systems are reliable and straightforward – ideal for basic energy saving.

- Pre-set dimming
- Daylight sensors
- Motion detectors

Local Network Solutions

A cost-effective system that can be adapted on-site without specialised equipment – enables further energy saving optimisation and flexibility.

- Bluetooth wireless connectivity
- Individual or group scene control
- Controlled via smart device

Wide Network Solutions

A fully scalable solution using sensors and devices for real-time control – supports asset management and monitoring through connected CMS network.

- Internal or external node connectivity
- Central Management System (CMS)
- Intelligent lighting control

University of Glasgow

Case study

When the fourth-oldest university in the English speaking world needed to upgrade their campus lighting, it was DW Windsor they turned to.

Ageing heritage lanterns may look authentic and complementary to surrounding architecture, but often they no longer stack up to modern day performance requirements. With the lighting beginning to affect the students' campus experience, the University of Glasgow approached DW Windsor for a solution.

As the original manufacturer of the lanterns, DW Windsor was able to provide like-for-like Windsor Street replacements, which perfectly complemented the period architecture. The luminaires were pre-fitted with CMS nodes to provide additional lighting control benefits delivering savings of approximately 76%.

“The lighting has improved the visual comfort of the main campus, with campus users finding it easier to get around after dark, enhancing feelings of safety and security through quality lighting.”

— Electrical Engineer, University of Glasgow



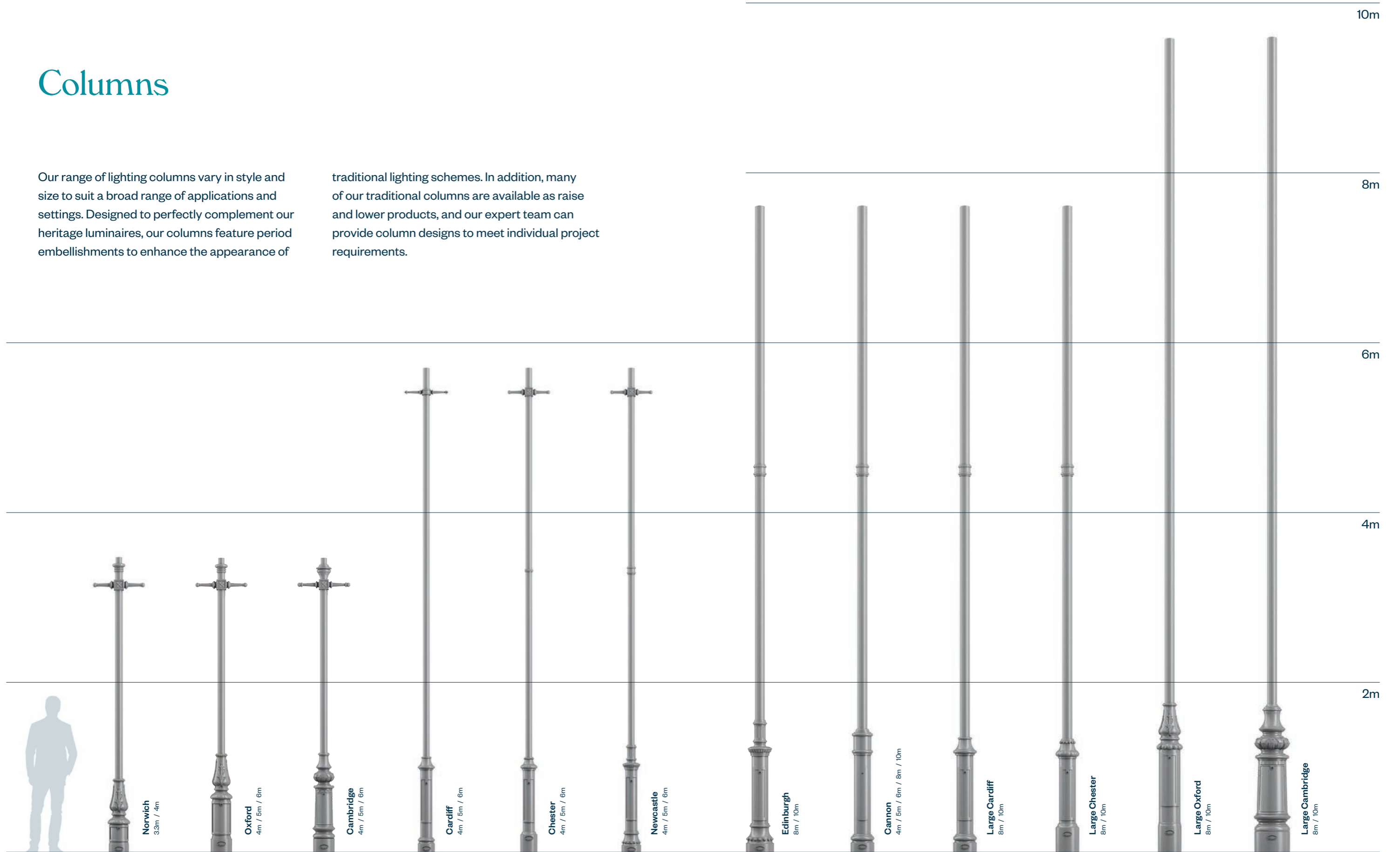
Heritage columns & brackets

Columns and brackets play an important role in creating a desirable daytime lighting scheme, with column height and bracket projection being significant factors in establishing scale. At DW Windsor, we offer a broad selection of traditional lighting columns and wall brackets in various styles and sizes to suit a range of applications.

Columns

Our range of lighting columns vary in style and size to suit a broad range of applications and settings. Designed to perfectly complement our heritage luminaires, our columns feature period embellishments to enhance the appearance of

traditional lighting schemes. In addition, many of our traditional columns are available as raise and lower products, and our expert team can provide column designs to meet individual project requirements.



Please note: Column heights stated are measured to light source



Norwich
3.3m / 4m / 5m



F **Oxford**
4m / 5m / 6m



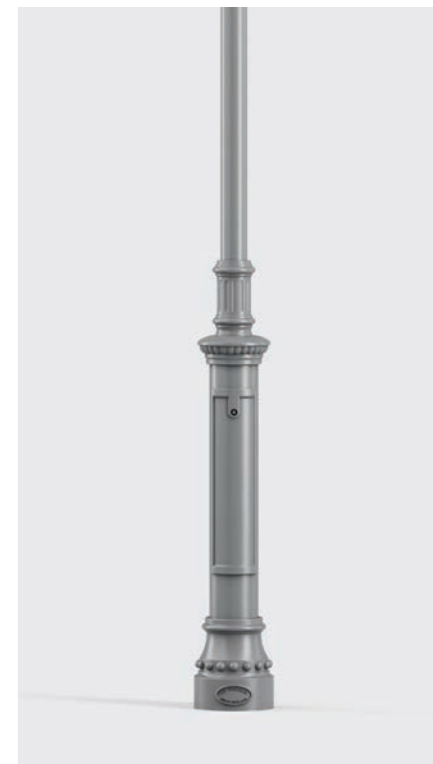
F **Cambridge**
4m / 5m / 6m



Chester
4m / 5m / 6m



R **Cardiff**
4m / 5m / 6m



R **Newcastle**
4m / 5m / 6m



Cannon
4m / 5m / 6m / 8m / 10m



R **Large Oxford**
8m / 10m



R **Large Cambridge**
8m / 10m



Large Chester
8m / 10m



R **Large Cardiff**
8m / 10m



R **Edinburgh**
8m / 10m

R Root base as standard, flange plate or retention socket version available

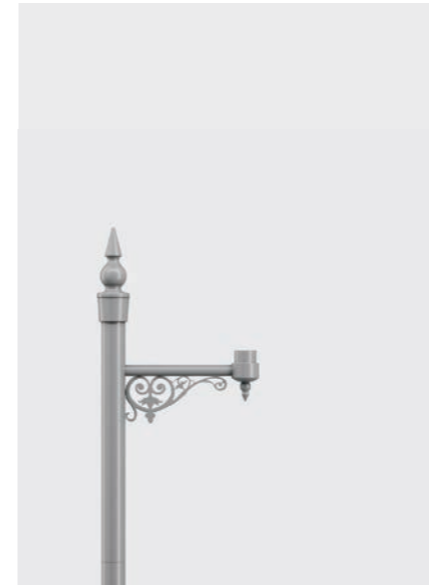
F Integrated flange plate as standard, fabricated root available

Please note: Cranked and offset roots are available to provide a solution to underground obstructions (e.g. services)

Column & wall brackets

We offer a wide selection of column brackets in single and multi-arm configurations to support a variety of locations, including traditional and contemporary settings. Brackets are available in a number of standard projections to suit a range of

column sizes and mounting heights. In addition, we offer three dedicated cast wall bracket solutions, and most of our brackets can also be specified as wall mounted versions when used in conjunction with our Wall Channel and Wall Box brackets.



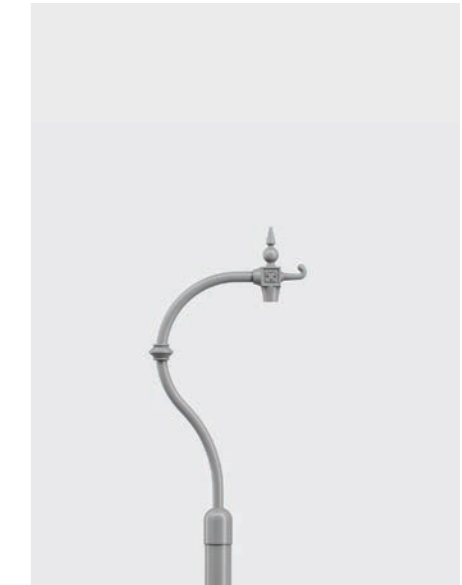
Ornate
Post Top (M)

Shaft Size Ø	Available Projection mm
76	388
89	418



Swan Neck
Top Entry

Shaft Size Ø
76
114



Swan Neck iffley
Top Entry

Shaft Size Ø
76



Hoop Traditional
Top Entry (M) (W)

Shaft Size Ø	Available Projection mm
76	750 / 1000
89	750 / 1000 / 1250
114	1000 / 1250 / 1500
139	1000 / 1250 / 1500



Scroll Traditional
Top Entry (M) (W)

Shaft Size Ø	Available Projection mm
76	750 / 1000
89	750 / 1000 / 1250
114	1000 / 1250 / 1500
139	1000 / 1250 / 1500



Linear Traditional
Top Entry (M) (W)

Shaft Size Ø	Available Projection mm
76	500 / 750 / 1000
89	500 / 750 / 1000
114	750 / 1000 / 1250
139	750 / 1000 / 1250



Genus Traditional
Top Entry (M) (W)

Shaft Size Ø	Available Projection mm
76	750
89	750
114	750 / 1000
139	750 / 1000



Arc Scroll
Top Entry (M) (W)

Shaft Size Ø	Available Projection mm
76	650 / 850
89	650 / 850 / 1000
114	850 / 1000 / 1250
139	850 / 1000 / 1250



Arc Plain
Top Entry (M) (W)

Shaft Size Ø	Available Projection mm
76	650 / 850
89	650 / 850 / 1000
114	850 / 1000 / 1250
139	850 / 1000 / 1250

(M) Available as multi-arm column bracket (W) Wall bracket option available



Large Ornate

Cast wall-mounted bracket for post top mounted lanterns. Features an ornate infill suited to traditional luminaire designs. Has the facility for a terminal block and is finished in a polyester powder coat.



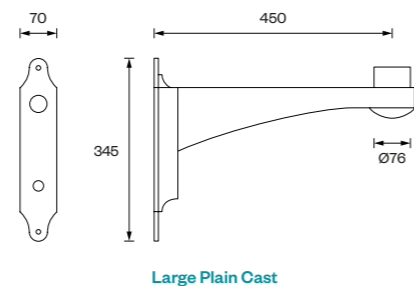
Large Plain Cast

Cast wall-mounted bracket for post top mounted lanterns. Features a tapered infill ideal for all luminaire designs. Has the facility for a terminal block and is finished in a polyester powder coat.

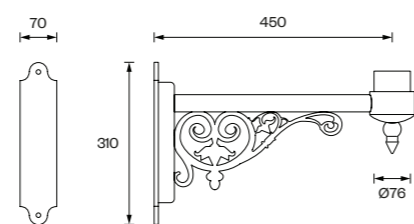


Large Ornate Pendant

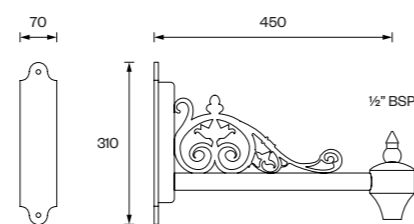
Cast wall-mounted bracket for pendant mounted lanterns. Features an ornate infill suited to traditional luminaire designs. Has the facility for a terminal block and is finished in a polyester powder coat.



Large Plain Cast



Large Ornate



Large Ornate Pendant



shown with Hoop Traditional bracket

Wall Channel Bracket

Provides a low-profile, attractive and extremely stable solution for wall mounting lanterns. Suitable for mounting on flat walls or, when specified, right-angle corners and curved surfaces.



shown with Scroll Traditional bracket

Wall Box Bracket

Features a deep box design that can accommodate a wide range of electrical components to enhance the function of the luminaire while making installation and maintenance exceptionally easy.

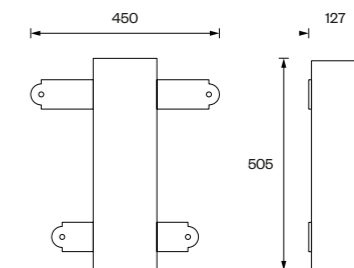
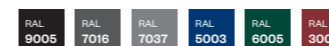
Technical Details

- Column brackets are available with body diameters to suit all standard column shaft sizes
- We offer up to three standard projections of column and wall brackets and custom projections to order
- Pendant brackets are available with top entry to suit Easyfit, 1 1/4" or 1" BSP thread, depending on luminaire
- Wall Box Bracket can accommodate top and bottom cable entry with loop-in loop-out facility
- For the Wall Channel Bracket, cabling enters through a gland to the underside or via a rear cable-hole

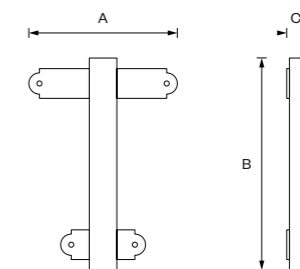
Paint Finishes

- All columns and brackets are supplied galvanised and painted on site at our facilities in Hertfordshire
- We offer a standard paint finish, plus a premium paint system suitable for coastal and other harsh environments

Colour Options:
(other colours available on request)



Wall Box Bracket



Wall Channel Bracket

	Dimensions mm		
	A	B	C
Wall Channel Bracket, Medium	350	500	44
Wall Channel Bracket, Large	450	760	44

Restoration & replica work

DW Windsor has a long history of helping to preserve original lanterns and columns. We take a hands-on approach to the work, which can mean deconstructing each piece of equipment, rebuilding, re-engineering and sensitively recreating it to ensure these icons of illumination are maintained for future generations.

Preserving charm and character

Maintaining the look and feel of heritage lighting is both an art and a science in remaining authentic, whilst complying with current lighting standards. We have perfected this balance over many years to become industry leaders in the craft of refurbishments and replicas.

Effective, respectful restoration involves all the traditional craftsmanship and skill that went into creating the original products. But ensuring a vintage luminaire meets modern performance and quality standards calls for a whole new skill set.

At DW Windsor, our craftsmen and women take the responsibility of preserving important parts of the nation's architectural legacy very seriously, ensuring every detail is as historically authentic as it is technically excellent.



Replica lanterns
Holborn Viaduct, London

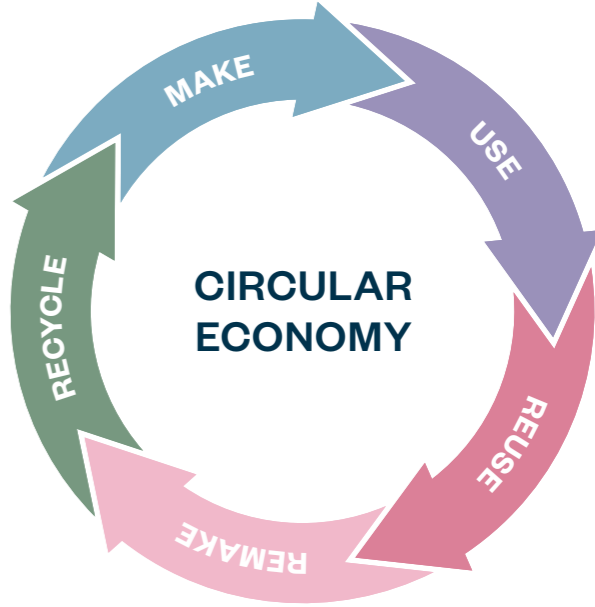


Refurbished lanterns & columns
Southbank, London

Sustainable design principles

The ability to keep products in use for as long as possible is essential to building a circular economy. DW Windsor has long subscribed to a sustainable design philosophy, ensuring our luminaires are made to last and easy to maintain and upgrade.

Through the careful restoration of historic lanterns and columns, we're able to further support the circular economy by lengthening service life and reducing waste. In addition, by converting existing lanterns to LED technology, we're able to lower energy consumption and cut carbon emissions, helping our clients to reach their net zero targets.





Imperial College, London Refurbishment

The original Edwardian globe lanterns from Imperial College were badly in need of repair and restoration. Each lantern was carefully refurbished by hand. This included replacement glazing and the metalwork stripped and repainted. The globes were restored to their original richness and splendour, while retaining all of the detail of the original finish.



Battersea Bridge, London Replica

The lanterns on Battersea Bridge were severely damaged after years of use. To futureproof the luminaires, DW Windsor recreated the lanterns in copper with polycarbonate glazing. Special attention was given to replicating the intricate embellishments adorning the lanterns which were hand painted to match the original designs.



Tower Bridge

Case study

Over the years, functional replacements to the lighting at Tower Bridge in London had resulted in the loss of many original parts and unsympathetic refurbishment work.

Tasked with improving the lighting performance while also reducing energy consumption at this iconic location, DW Windsor provided a total refurbishment of the light fittings. The bridge had to remain open for the whole restoration period, so lanterns were removed in phases. Because of the harsh nature of the environment, the lanterns were repainted in marine-grade paint, further minimising disruption to the use of the bridge due to future maintenance.

The new scheme delivered improved uniformity across both carriageway and footpath, while minimising light spill into the river, ensuring safe passage of passing vessels.

"We chose DW Windsor because of their ability to control the light away from the river. The light output, distribution and overall uniformity of their refurbished lanterns was second to none."

— Electrical Engineer, City of London





DW Windsor

Pindar Road, Hoddesdon, Hertfordshire, EN11 ODX
+44 (0)1992 474600
info@dwwindsor.com

dwwindsor.com

MAY-2024-D

© 2024 DW Windsor Ltd. All rights reserved.