



TURN

A spot light luminaire in a minimalist, cylindrical design

Turn

IP66 | IK10 | CLASS I / CLASS II

Features:

- Part of the Focus by DW Windsor range
- Designed by Fris & Moltke Design, Denmark
- Flexible bracket allows Turn to be adjusted in any direction
- Available with a range of 3 distributions; narrow (12°), medium (19°), and wide (38°)

Light source:

Bridgelux Vero 18

Optical control:

Beam angle: Wide beam reflector 38°
Medium beam reflector 19°
Narrow beam 12°

Light output:

Colour temp.	CRI	Lumen output
2700k	90Ra min.	1550 - 4400
3000k	90Ra min.	1650 - 4600
4000k	90Ra min.	1700 - 4700

L80 (B10) lifetime prediction:

Min. 100,000 hours (@ T_a max. 25°C)

Driver

Xitanium Full Xi FP 40W 0.3-1.0 A programmable

CLO enabled

Surge protection: L/N-GND: 8kV
L-N: 6kV

Switching and control:

Remote switch via photocell / timeclock

Pre-programmed

Dimmable: Dali, 1-10V

Colours:

SW302G Graphite grey

MW300D Silver grey

SN351F Black (Noir 900 Sablé)

YX355F Corten brown (Mars 2525)

RAL colours available on request

Materials:

Body: High pressure die-cast aluminium

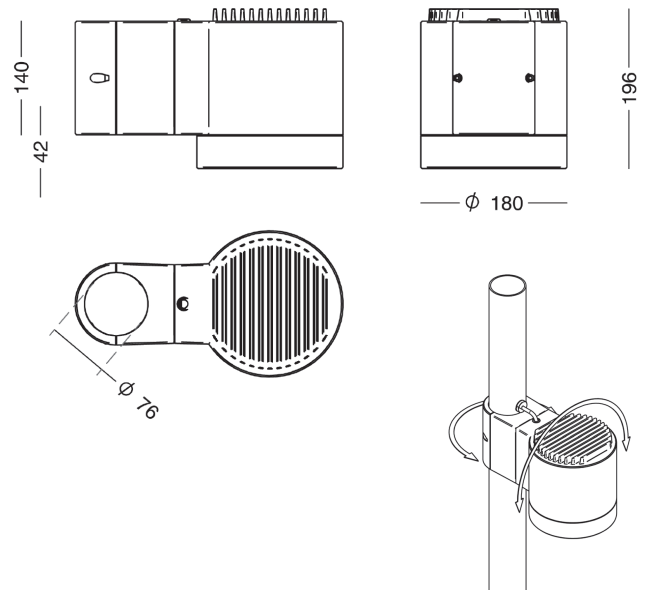
Glazing: Clear glass with silk coating at the edge

Mounting:

Clamp bracket for Ø76mm column shaft

Can be oriented in any direction

Dimensions:



Windage:

0.053m²

DW Windsor

Pindar Road, Hoddesdon, Hertfordshire, EN11 ODX

T: +44(0)1992 474600 | E: info@dw Windsor.com

dw Windsor.com

