



Pharola DS

for dark skies compliant
schemes

Pharola DS



IP66 | IK10 | CLASS I

Features:

- 0% ULOR
- International DarkSky Association approved (2,700K and 3,000K only)
- Slim and elegant, yet sturdy and robust
- 2,700K, 3,000K and 4,000K CCT options available

Options:

Pharola DS (1m)

Pharola DS (2.2m)

Optical control:

Symmetric

Light Source:

9 x high power LEDs up to 1,523lm (4,000K)

L70 lifetime prediction:

In excess of 100,000 hours

Total circuit watts:

20W

Colour temperature:

2,700K, 3,000K or 4,000K

Colour rendering index:

>70Ra (4,000K) >80Ra (3,000K, 2,700K)

Upward light output ratio (ULOR):

0%



Mounting:

Integral root (as standard)

Flange / buried flange mount

Switching and control:

Switch: On/off

Colours:

DB703 Textured metallic dark grey

RAL 9005 Black

RAL 9006 Textured aluminium

RAL 9007 Textured metallic grey

RAL 9016 White

Other RAL colours available on special request

Materials:

Head components: Aluminium

Bollard base: Galvanised steel

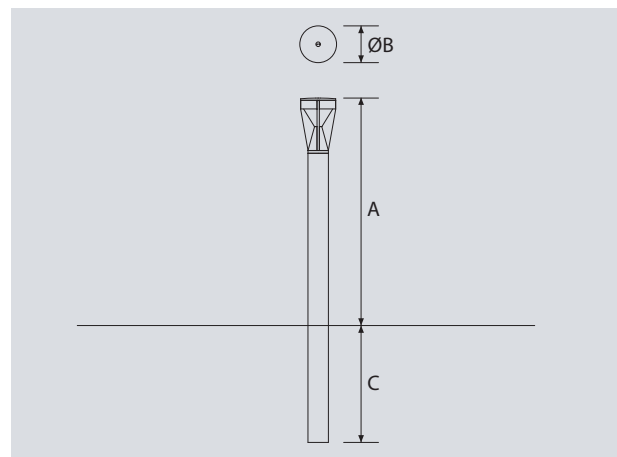
Seals: Silicone

Glazing: Toughened glass

Finish: Fine texture polyester powder coat

Installation and maintenance:

Supplied with single flexible cable for easy installation



	Dimensions (mm)			Weight (kg)
	A	B	C	
Pharola DS 1	1000	89	500	15
Pharola DS 2	2200	89	500	23

DW Windsor

Pindar Road, Hoddesdon, Hertfordshire, EN11 ODX

T: +44(0)1992 474600 | E: info@dw Windsor.com

dw Windsor.com

