

Installation Instructions



IP66

IK09

230VAC 50Hz



IMPORTANT

- DISCONNECT ELECTRICAL SUPPLY BEFORE INSTALLATION OR SERVICING.
- THIS PRODUCT MUST BE EARTHED.
- THIS PRODUCT IS DESIGNED TO OPERATE OUTDOORS. IF REQUIRED TO BE USED INDOORS PLEASE CONSULT DW WINDSOR.
- THIS PRODUCT IS FITTED WITH HIGH IMPACT RESISTANT GLAZING AND MAY BE MOUNTED AT HEIGHTS UP TO 8m.
- DO NOT STARE AT THE LIGHT SOURCE.
- PERSONNEL TO WEAR PROTECTIVE SAFETY GLASSES COMPLIANT WITH EN166 1F/EN169-5 WHEN COMMISSIONING OR MAINTAINING THIS PRODUCT.
- LEDS CONTAINED WITHIN THIS LUMINAIRE SHALL ONLY BE REPLACED BY THE MANUFACTURER, THEIR SERVICE AGENT OR SIMILAR QUALIFIED PERSON.
- THE LIVE SUPPLY IS INSULATED (BASIC) FROM THE DALI CONDUCTOR.

PRODUCT DETAILS

| | LUMINAIRE HEIGHT (mm) C | COLUMN HEIGHT (mm) B | OVERALL HEIGHT (mm) A | WEIGHT (KG) ROOTED COLUMN | WEIGHT (KG) FLANGED COLUMN | WINDAGE (m ²) |
|-----------|----------------------------|-------------------------|--------------------------|-------------------------------|--------------------------------|-------------------------------|
| SILKA | 600 | 1400 | 2000 | 21.3 | 23.3 | 0.35 |
| SILKA | 600 | 2400 | 3000 | 28.3 | 30.3 | 0.52 |
| SILKA | 600 | 3400 | 4000 | 35.3 | 37.3 | 0.69 |
| SILKA | 600 | 4400 | 5000 | 43.7 | 45.7 | 0.86 |
| SILKA MAX | 1200 | 1400 | 2600 | 16.5 | 18.5 | 0.45 |
| SILKA MAX | 1200 | 2400 | 3600 | 23.5 | 25.5 | 0.62 |
| SILKA MAX | 1200 | 3400 | 4600 | 30.5 | 32.5 | 0.79 |
| SILKA MAX | 1200 | 4400 | 5600 | 37.5 | 39.5 | 0.96 |

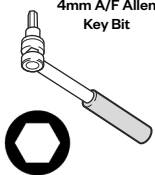
SUPPLIED PARTS

- COLUMN x1 (ROOTED OR FLANGED)
- LUMINAIRE x1 (SILKA OR SILKA MAX)

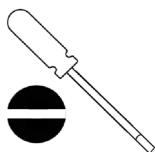
TOOLS REQUIRED

Tools not supplied unless otherwise stated.

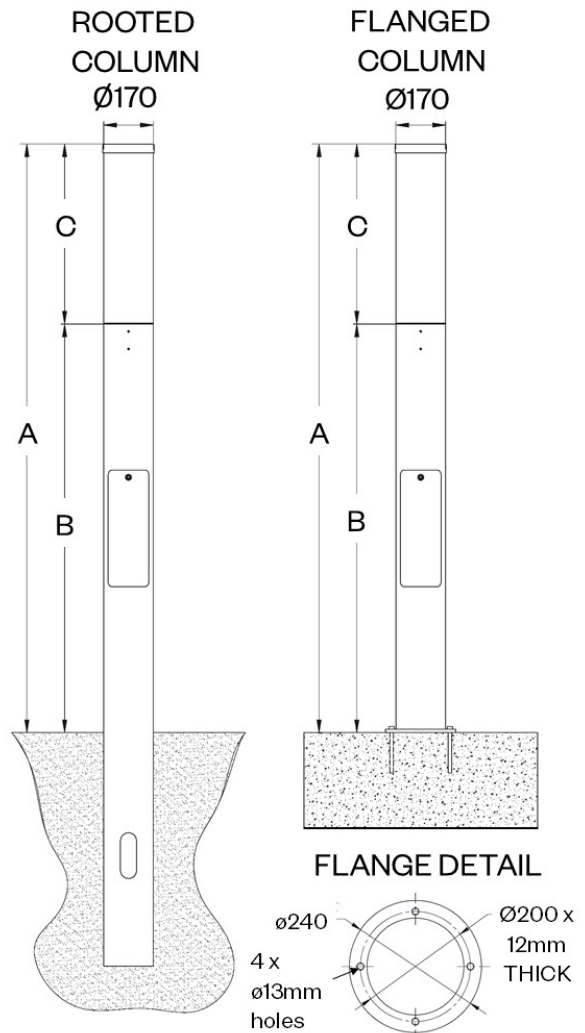
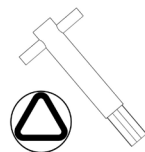
1 TORQUE WRENCH + 4mm A/F Allen Key Bit



2 SLOTTED SCREWDRIVER



3 STANDARD COLUMN DOOR KEY



INSTALLATION STEPS

Step 1

Install the column.

For the flanged column, assemble the column base directly to the foundations using the four fixing holes on the flange plate.

Secure with M10 anchor bolts.

Step 2

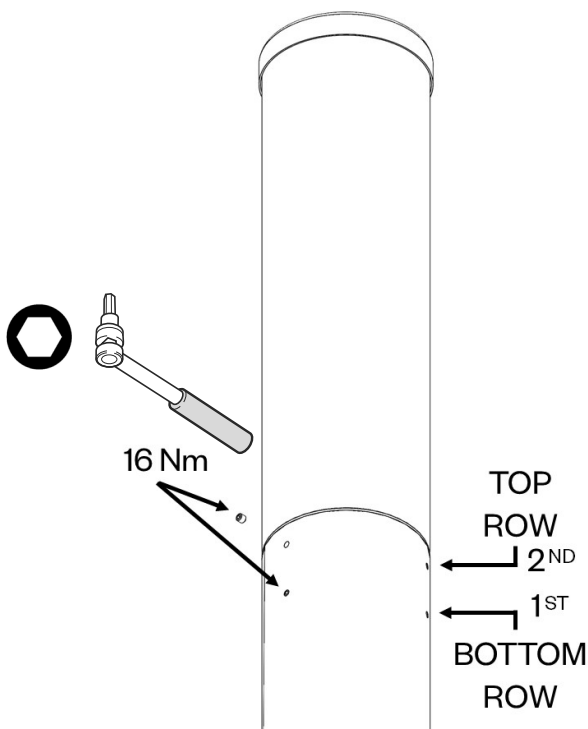
Unpack luminaire from carton and remove protective bag.

Feed mains cable and DMX cable down (DMX versions only) inside column and insert luminaire into column.

Step 3

Secure the luminaire to the column using a torque wrench.

Tighten the bottom row of grub screws first, and the top row of grub screws second. Tighten to 16Nm (6 places).



Step 4a

Open the column door using a standard column door key.

Terminate the Live, Earth & Neutral wires of the mains cable. Refer to label attached to mains cable end & Fig.1.

Step 4b (DMX Versions only):

Terminate the + DMX, -DMX wires & Earth screen of the DMX cable. Refer to label attached to DMX cable end & Fig.2.

