

AURORA (AUR-30012) (Version 2)



Product description

Without remote driver - Constant voltage (CV) 24 V - RGBW - 360° light beam



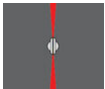
Luminaire Structure

- Die-cast aluminium housing
- Pre-treated before powder coating ensuring high corrosion resistance
- Single cable entry
- Stainless steel fasteners in grade 304 with zinc flake coating (ZFC)

- Durable silicone rubber gasket
- High-efficiency PMMA lens
- Remote driver (not included)
- 360° light blade effect

- 24 VDC input, DMX/RDM address with stable signal

Light symbol



G

Product colour



01 - Black (RAL 9011) 02 - Dark Grey (RAL 7043) 03 - White (RAL 9003) 05 - Matt Silver (RAL 9006)



06 - Bronze (RAL 6014)

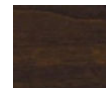
Special finishes upon request



SU01 - Concrete - Urban SU02 - Softscape - Urban SU03 - Stone - Urban SU04 - Corten - Urban



SW01 - Oak - Woodland



SW02 - Walnut - Woodland



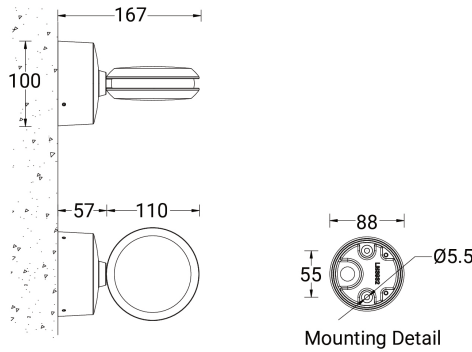
SW03 - Pine - Woodland

AURORA (AUR-30012) (Version 2)

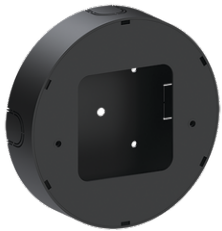
Technical information

Light source	12 LED	Luminaire			
Light source type	LED	Power	12 W	Optic	G [3°x180°]
Dimming type	DMX, DMX/RDM	Lumen	102 - 105 lm	Bug	B0-U2-G0
Material	Aluminium	Efficacy	34 - 35 lm/W	ULR	32%
Weight	0.7 kg	CCT / CRI	RGBW30, RGBW40	ULOR	32%
Operating temperature	-20 °C to 50 °C	Drive current	350 mA	CIE flux code n°3	83
		Driver option	Remote driver (not included)		
		Driver	Constant voltage (CV)		
		Input voltage	24 VDC		

AURORA
AUR-30012



Accessories



Surface mounting box for easy cabling (AURORA)
SCE-AURORA



DMX Control System
Control-DMX



DMX/RDM Control System
Control-DMX-RDM



Driver (CV) - On/Off - 36 W - IP67 - 24 V
A34491-ND



Driver (CV) - On/Off - 60 W - IP67 - 24 V
A34591-ND



Driver (CV) - On/Off - 100 W - IP67 - 24 V
A34791-ND



Driver (CV) - On/Off - 150 W - IP67 - 24 V
A34891-ND



Driver (CV) - On/Off - 200 W - IP67 - 24 V
A34991-ND

AURORA (AUR-30012) (Version 2)

Driver (CV) - On/Off - 350 W -
IP67 - 24 V
A35091-ND
