

AURORA (AUR-30011)



Product description

360° light beam



Luminaire Structure

- Die-cast aluminium housing
- Pre-treated before powder coating ensuring high corrosion resistance
- Single cable entry
- Stainless steel fasteners in grade 304 with zinc flake coating (ZFC)

- Durable silicone rubber gasket
- High-efficiency PMMA lens
- Integral control gear
- 360° light blade effect

- 24 VDC input, DMX/RDM address with stable signal

Light symbol



G

Product colour



- 01 - Black (RAL 9011)
- 02 - Dark Grey (RAL 7043)
- 03 - White (RAL 9003)
- 05 - Matt Silver (RAL 9006)



- 06 - Bronze (RAL 6014)

Special finishes upon request



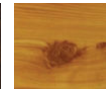
- SU01 - Concrete - Urban
- SU02 - Softscape - Urban
- SU03 - Stone - Urban
- SU04 - Corten - Urban



- SW01 - Oak - Woodland



- SW02 - Walnut - Woodland



- SW03 - Pine - Woodland

AURORA (AUR-30011)

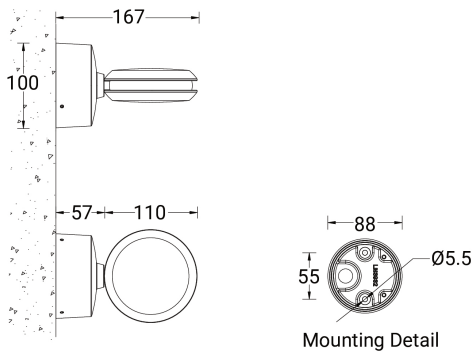
Technical information

Light source	3 LED
Light source type	LED
Dimming type	On/Off
Material	Aluminium
Weight	0.8 kg
Operating temperature	-20 °C to 50 °C

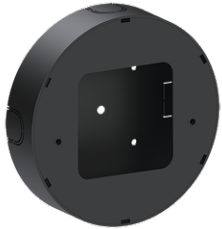
Luminaire	
Power	4 W
Lumen	171 - 177 lm
Efficacy	43 - 44 lm/W
CCT / CRI	3000K CRI80, 4000K CRI80
Drive current	350 mA
Driver option	Integral control gear
Driver	Constant current (CC)
Input voltage	220-240 V 50/60 Hz

Optic	G [4°x9°]
Bug	B0-U2-G0
ULR	33%
ULOR	33%
CIE flux code n°3	84
MacAdam Ellipse	3 SDCM
Lifetime L90B10 (hours)	> 120,000
Lifetime L80B10 (hours)	> 120,000
Lifetime L80B50 (hours)	> 120,000

**AURORA
AUR-30011**



Accessories



Surface mounting box for easy cabling (AURORA)
SCE-AURORA